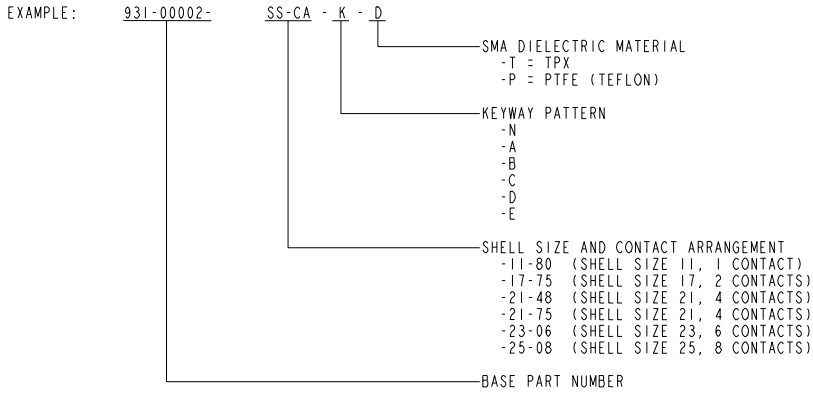


NOTES:

- DESIGNED TO BE PANEL MOUNTED WITH JAM NUT AND O-RING.
- SHELL INTERFACE PER MIL-DTL-38999/23 SERIES 111
- CONTACT, ATMOSPHERIC SIDE: #8 BMA COAXIAL PER MIL-STD-348
- CONTACT, HERMETIC SIDE: SMA PER MIL-STD-348
- HERMETIC LEAK RATE: $\leq 1 \times 10^{-9}$ CC/SEC He AT 1 ATM DIFFERENTIAL PRESSURE.
- DIELECTRIC WITHSTANDING VOLTAGE - NO EVIDENCE OF BREAKDOWN OR FLASHOVER WHEN SUBJECTED TO 500 VAC RMS 60 Hz PER MIL-STD-1344, METHOD 3001. DURATION OF APPLICATION SHALL BE 1 SECOND MINIMUM.
- INSULATION RESISTANCE - GREATER THAN 5,000 MEGOHMS AT $50 \pm 10\%$ VDC AT 25°C IAW MIL-STD-1344, METHOD 3003.
- ELECTRICAL PERFORMANCE
 IMPEDANCE: 50 OHMS NOMINAL
 OPERATIONAL FREQUENCY: UP TO 18 GHz
 INSERTION LOSS: ≤ 1 db @ 18GHz
- PART NUMBER SHALL BE IDENTIFIED BY BASE PART NUMBER, SHELL SIZE/CONTACT ARRANGEMENT KEY PATTERN AND SMA CONNECTOR DIELECTRIC MATERIAL.

ORDER ACCORDING TO THE FOLLOWING

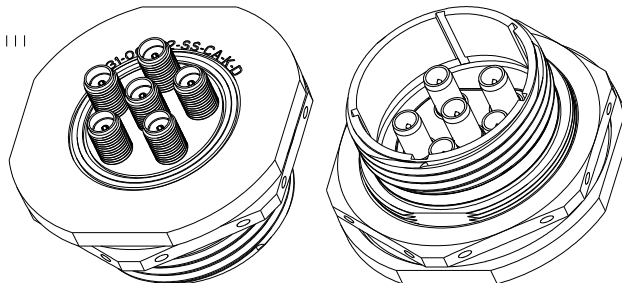


MATERIALS:

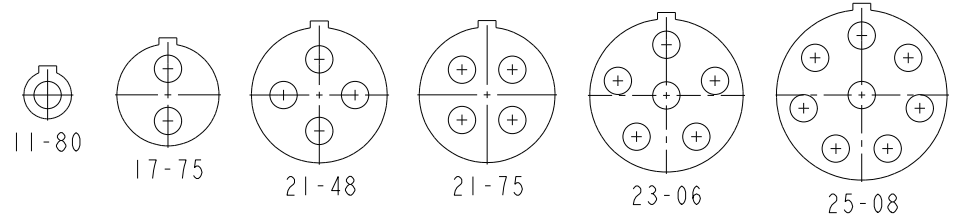
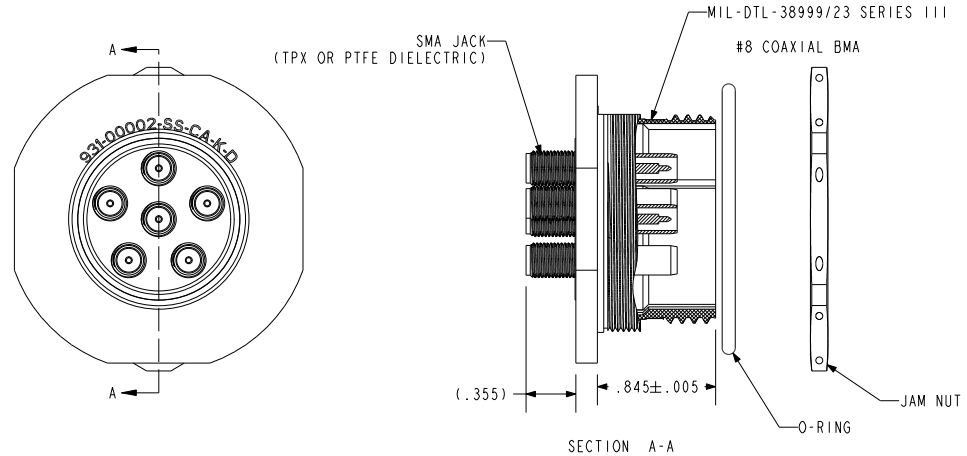
SHELL AND SMA BARREL: STAINLESS 304L (PASSIVATED)
 FEEDTHRU INSERT: KOVAR ASTM-F15
 BMA OUTER CONTACT: BERYLIUM COPPER ASTM-B196/197
 BMA CENTER PIN: KOVAR ASTM-F15
 INSULATOR: 7070 GLASS
 JAM NUT: STAINLESS STEEL
 O-RING: SILICONE

BMA PLATING:
 Ni PLATE PER AMS-QQ-N-290, .000100/.000250 THICK
 GOLD PLATE PER ASTM-B488, TYPE 111 CODE A, .000050/.000150

RECOMMENDED HOLE DETAIL PER MILL-DTL-38999/23 SERIES 111



WARNING - THIS DOCUMENT CONTAINS TECHNICAL DATA, EXPORT OF WHICH IS RESTRICTED BY THE EXPORT ADMINISTRATION REGULATIONS (EAR). DISCLOSURE TO FOREIGN PERSONS WITHOUT PRIOR U.S. GOVERNMENT APPROVAL IS PROHIBITED. VIOLATIONS OF THE EXPORT LAWS AND REGULATIONS ARE SUBJECT TO SEVERE CIVIL AND CRIMINAL PENALTIES.



PA&E Pacific Aerospace & Electronics, Inc
 434 Olds Station Rd. Wenatchee, Washington 98801
WWW.PACAERO.COM

TITLE: RECEPTICAL, CIRCULAR, RF
 THIRD ANGLE PROJECTION
 JIC: EAR

VERSION: B.0	RELEASE DATE: 02-04-15	SALES DRAWING	CAGE CODE: 64567	SCALE: 1.000	SHEET: 1 OF 1	DOCUMENT: 0-931-00002
--------------	------------------------	---------------	------------------	--------------	---------------	-----------------------