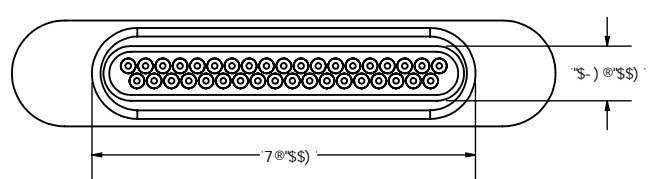
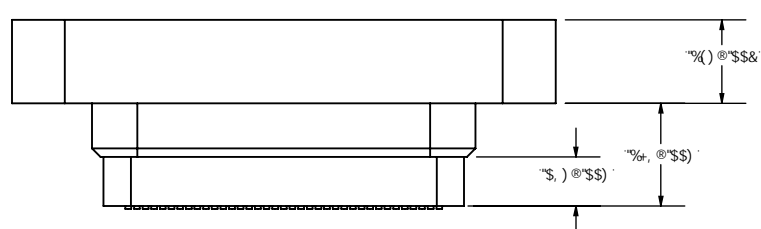
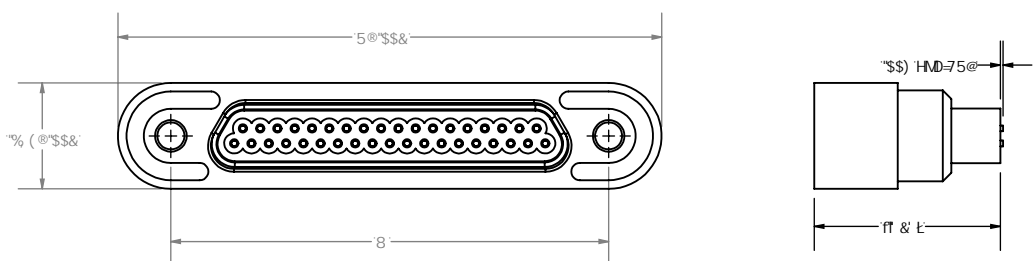
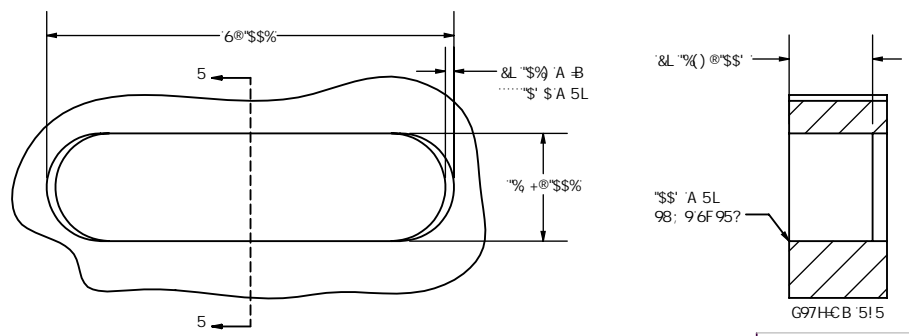


BCH9G  
%<C@9B-A 9BG<CBGD9F D59I (\$,) ,"  
&89G÷ B98 HC 69@5G9F K 9@98 HC 5 GH5-B@9GGH99@<C1 GB; "  
" \* <9FA 9H7 @95? F5H9@9GGH<5B CF 9E1 5@HC %L %8R! - 77#G97 <Y5H%5HA 8÷: 9F9BH5@DF9GG F9'  
("9@97HF÷75@F9E1 F9A 98HG  
.....BGI @5HCB F9G@H5B79; F95H9F H<5B )Z\$\$\$A 9 C<A G5H) \$\$±%& 5H& ) \*7  
.....K <9B H9GH9-5K 95I' \*(1&%)  
.....8-9@97HF÷7K H<GH5B8-B; JIC@H5; 9A1 GHG<CK BC 9I -89B79C: 6F9578CK B CF; @5G<CJ 9F  
.....K <9B GI 6-97H98 HC " \$\$J57FA G\*\$<n-5K 95I' \*(1&8"8I F5HCB C: 5DD@75HCB G<5@69  
.....%G97CB8 A -B-A I A "  
) "A 5H9F-5@  
.....G<9@@" \$( @GH5-B@9GGH99@  
.....7CBH57HG 69FM@4 A17CDD9F 5K 5GHA 6% \* CF 5GHA 6% +  
.....<9FA 9H7 -BGI @5HCFG ?FMC: @9L DFCDF -9H5FMDC @VFM@H5@B979F5A ÷  
.....BGI @5HCF 6@C7? .H97<HFCB DDG  
.....BH9F: 57-5@G95@: @C1 FCG@7CB9F1 669F -5K 'A -@F1&)- , 27@5GG÷ZHM9 ÷; F589\*"\$  
.....DCHHB; .GHW5GH  
\*": -B-G<.  
.....7CBH57HG 9@97HFC@MH7 B-7?9@D@5H9-5K EE!B1&- \$Z\$\$\$%\$#\$\$\$&) \$ H<-7?  
.....C@B D@5H9-5K 5GHA 16(, , ZHM9 ÷7CB95Z\$\$\$&) \$#\$\$\$\$&) \$ H<-7?"  
+ "CF89F-B; -B: CFA 5HCB.  
.....D@95G9GD97÷M577CF8-B; HC H<-9: C@CK -B; .  
.....) ' \*%!' %"  
.....BI A 69F C: 7CBH57HG H<B8-75H98L  
.....65G9D5FHBI A 69F



H56@9%				
BI A 69F C: 7CBH57HG	5	6	7	8
-	∩&(	∩&+	∩&*	" (\$
%	"%&	"%&+	"%&*	"( \$
&%	"+\$(&	"+\$&+	"(\$&*	∩&&\$
&)	"+*(	"++&	"(. *	∩, \$
' %	".)(&	".)&+	∩)+*	"*+\$
' '	".'(&	".'&+	"*'\$*	"*+\$
' )	".%(&	".%&+	"*'. *	"+' \$
' +	"-((	"-(+&	"*''*	"*+' \$
) %	%∩(&	%∩&+	"∩, *	"∩+' \$



G75@9 &. %  
GI 6-97HHC 7<5B; 9K H<CI HBCH79

PA&E  
A Qnnect Company

K K K "EBB97HBCK "7CA  
Qnnect

HH9 7CBB97HCFZ-F18

J9GCB. 7"\$  
F985G9BSHR %&#% #8I  
75: 97CB9 \*() \*+  
G75@9. (%  
G<99H %C: %  
BC71A 98H \$!-) ' \*\*%