

DESCRIPTION:

PMI MODEL NUMBER PE2-32-218-3R5-8-15-SFF IS A 2 TO 18 GHz AMPLIFIER. THIS AMPLIFIER IS SUPPLIED IN OUR STANDARD PE2 HOUSING THAT CAN BE USED AS A SMA CONNECTORIZED OR A SURFACE MOUNT COMPONENT.

ZONE	REV.	DESCRIPTION	DATE	APPROVED
	A1	ORIGINAL RELEASE	5/15/2009	
	B1	ECN # 26-0088	4/29/2026	

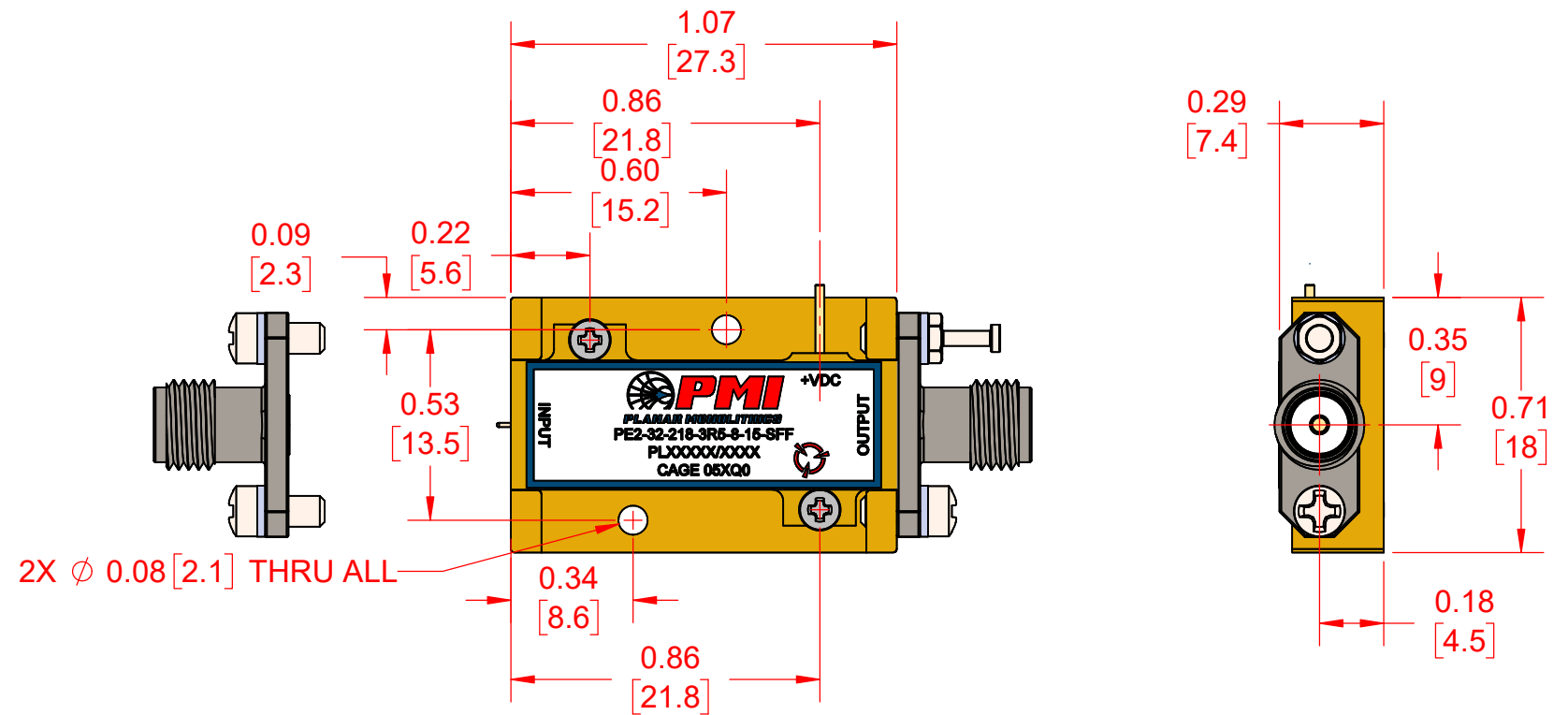
SPECIFICATIONS:

- FREQUENCY RANGE:..... 2 TO 18 GHz
- GAIN:..... 32 dB MIN
- GAIN FLATNESS:..... ±2 dB MAX
- NOISE FIGURE:..... 3.5 dB MAX
- OP1dB:..... 8 dBm MIN
- VSWR (INPUT/OUTPUT):..... 2:1 MAX
- DC VOLTAGE SUPPLY:..... +12 TO +15 VDC
- DC CURRENT DRAW:..... 200 mA MAX (150 mA TYP.)
- CONNECTORS:..... SMA FEMALE
- FINISH:..... GOLD PLATED

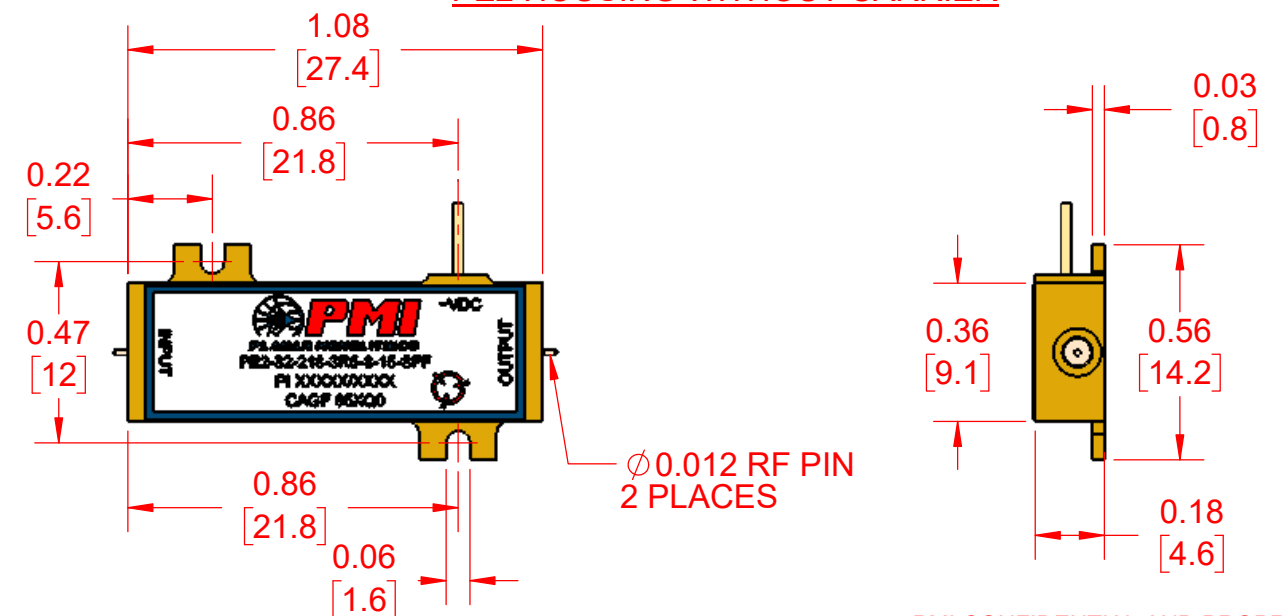
ENVIRONMENTAL RATINGS:

- TEMPERATURE:..... -25°C TO +85°C (OPERATING)
..... -55°C TO +125°C (STORAGE)
- HUMIDITY:..... MIL-STD-202, METHOD 103 COND. B
- SHOCK:..... MIL-STD-202, METHOD 213 COND. B
- ALTITUDE:..... MIL-STD-202, METHOD 105 COND. B
- TEMPERATURE CYCLE:..... MIL-STD-202, METHOD 107 COND. A

PE2 HOUSING WITH CARRIER




PE2 HOUSING WITHOUT CARRIER



PMI CONFIDENTIAL AND PROPRIETARY

NOTE: SPECIFICATIONS WILL VARY OVER TEMPERATURE
NOTE: THE ABOVE SPECIFICATIONS ARE SUBJECT TO CHANGE OR REVISION

APPROVALS		DATE	 PMI PLANAR MONOLITHICS 7309-A GROVE ROAD FREDERICK MARYLAND 21704 USA TEL: (301) 662-5019, FAX: (301) 662-1731 WEB: WWW.QUANTICPMI.COM, EMAIL: SALES@QUANTICPMI.COM ISO 9001 CERTIFIED	
DRAWN	DPD	5/15/2009	TITLE	
REDRAWN	D. HOSCHAR	4/29/2026	OUTLINE	
ISSUED			SIZE	FSCM NO.
			B	05XQ0
			DWG NO.	27010141
			REV.	B1
UNLESS OTHERWISE SPECIFIED DIMENSIONS ARE IN INCHES TOLERANCES ARE:			SCALE 2:1	
FRACTIONS	DECIMALS	ANGLES	SHEET 1 OF 1	
±	.XX ± 0.02	±		
	.XXX ± 0.01			