

REVISIONS				
ZONE	REV.	DESCRIPTION	DATE	APPROVED
	A	ORIGINAL RELEASE	5/20/09	
	B	ADDED BUMP-OUT FOR J3	7/10/09	

## DESCRIPTION

PMI MODEL PEC-18-2D35G-1R75-9-SFF-BPF-HS-LM IS AN INTEGRATED MODULE COMBINING A LOW NOISE AMPLIFIER, BAND PASS FILTER, OUTPUT LIMITER, AND RF BLANKING SWITCH. THE FREQUENCY PASSED IS 2350 MHz WITH A 1 dB BANDWIDTH OF 150 MHz. THIS MODULE HAS A TYPICAL GAIN OF 18 dB. THE OUTPUT POWER IS LIMITED TO +2 dBm WHILE THE INPUT CAN HANDLE UP TO +30 dBm.

## SPECIFICATIONS

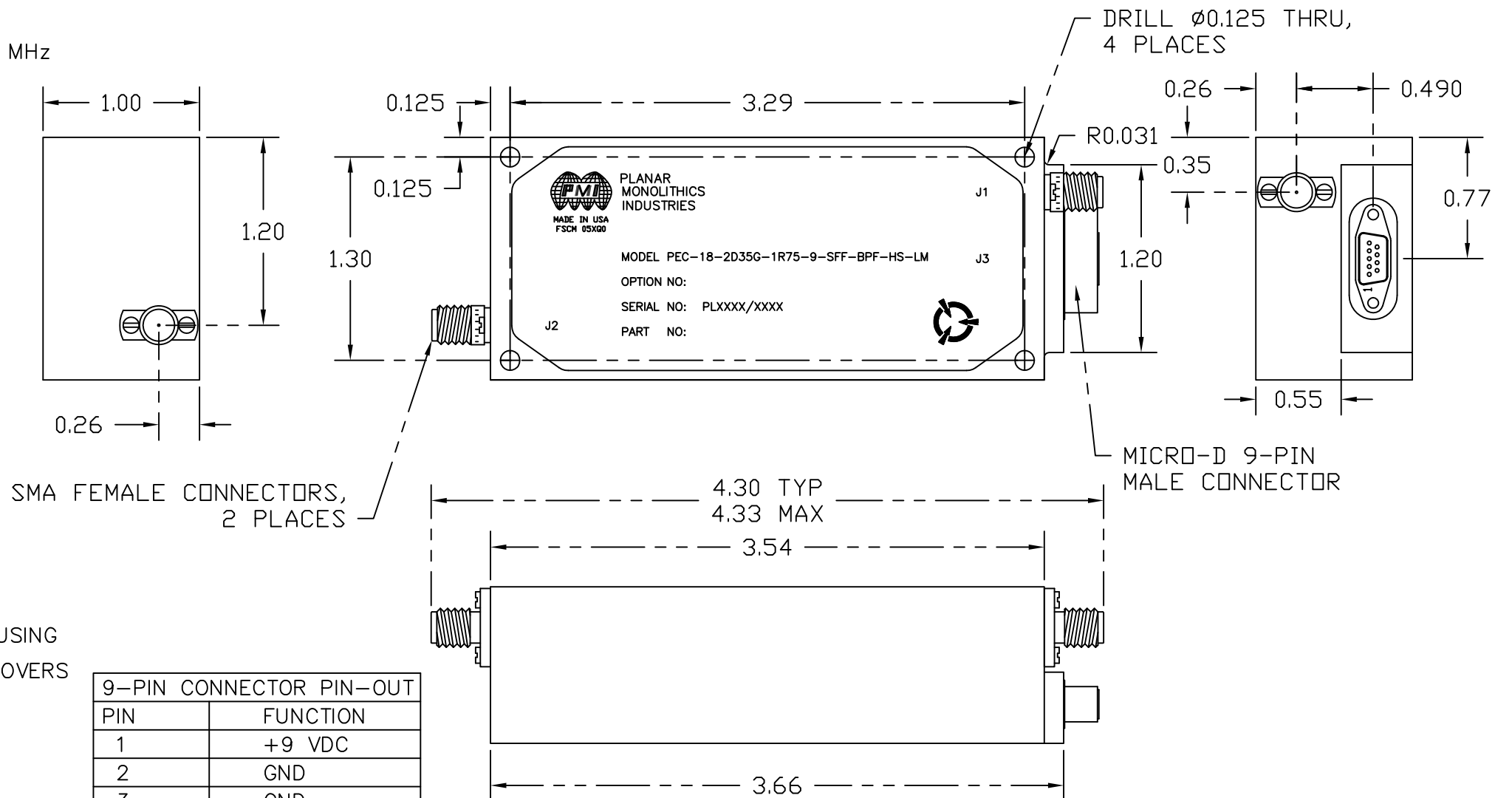
- GAIN:.....18 dB TYPICAL
- NOISE FIGURE:.....2.0 dB MAX
- OUTPUT POWER:.....+2 dBm MAX
- INPUT POWER:.....+30 dBm CW MAX
- -30 dBc REJECTION:.....@ 2100 MHz AND 2600 MHz
- -1 dB BANDWIDTH:.....150 MHz TYPICAL
- CENTER FREQUENCY:.....2350 MHz
- RF BLANKING SWITCH ISOLATION:.....40 dB MIN
- RF BLANKING SWITCH CONTROL:.....DIFFERENTIAL CONTROL  
A > B = 'ON'  
B > A = 'OFF'
- RF BLANKING SWITCHING SPEED:.....100 nS MAX
- VSWR IN/OUT:.....2.0 : 1 MAX
- EMI SHIELDING:.....> 60 dB @ 1 FOOT AWAY FROM DUT
- DC VOLTAGE:.....+9 VDC
- CONNECTORS IN/OUT:.....SMA (F)
- SIZE:.....4.30" X 1.55" X 1.00"
- WEIGHT:.....< 12 OUNCES
- FINISH:.....HERMETICALLY SEALED  
ALUMINUM 6061-T6 HOUSING  
WITH ALUMINUM 4047 COVERS  
PAINTED GRAY

## ENVIRONMENTAL RATINGS

- TEMPERATURE:.....-55°C TO +85°C (OPERATING)  
-65°C TO +125°C (STORAGE)
- HUMIDITY:.....MIL-STD-810F, METHOD 507.4
- SHOCK:.....MIL-STD-810F, METHOD 516.5
- VIBRATION:.....MIL-STD-810F, METHOD 514.5
- ALTITUDE:.....MIL-STD-810F, PROCEDURE II
- TEMPERATURE CYCLE:.....MIL-STD-810F, METHOD 503.4, PROCEDURE I

NOTE: SPECIFICATIONS WILL VARY OVER OPERATING TEMPERATURE  
NOTE: THE ABOVE SPECIFICATIONS ARE SUBJECT TO CHANGE OR REVISION

## MECHANICAL OUTLINE



9-PIN CONNECTOR PIN-OUT	
PIN	FUNCTION
1	+9 VDC
2	GND
3	GND
4	CTL-A
5	CTL-B
6	GND
7	GND
8	GND
9	GND

ALL DIMENSIONS ARE IN INCHES  
TOLERANCES:  
X.XX  $\pm$ 0.020  
X.XXX  $\pm$ 0.010

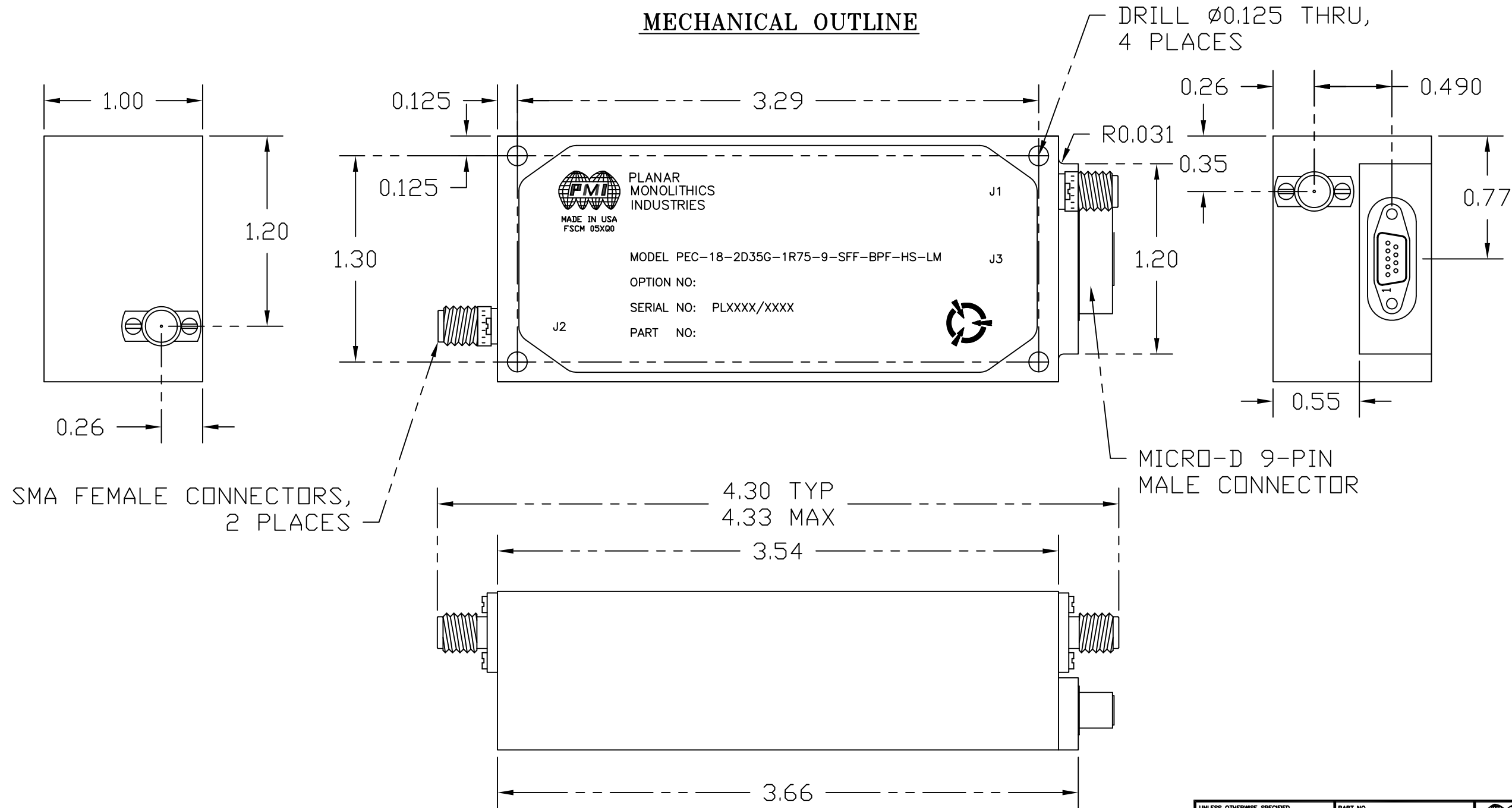
UNLESS OTHERWISE SPECIFIED DIMENSIONS ARE IN INCHES TOLERANCES ARE:		PART NO.		PLANAR MONOLITHICS INDUSTRIES 5715 INDUSTRY LANE UNIT 11 FREDERICK, MARYLAND	
FRACTIONS	DECIMALS	APPROVALS	DATE	TITLE	
$\pm$	$\pm$	DPD	5/20/09	OUTLINE DRAWING	
$\pm$	$\pm$			PEC-18-2D35G-1R75-9-SFF-BPF-HS-LM	
MATERIAL: ALUMINUM ALLOY 6061-T6		CHECKED	ISSUED	SIZE	FSC#
FINISH: 50 $\mu$ m GOLD PLATING MIN. OVER COPPER FLASH OVER NICKEL FLASH PER MIL-G 45204 TYPE 2				DWG NO.	REV.
APPLICATION		DO NOT SCALE DRAWING		27010641	B
				SCALE N/S	SHEET 1 OF 2

# DESCRIPTION

PMI MODEL PEC-18-2D35G-1R75-9-SFF-BPF-HS-LM IS AN INTEGRATED MODULE COMBINING A LOW NOISE AMPLIFIER, BAND PASS FILTER, OUTPUT LIMITER, AND RF BLANKING SWITCH. THE FREQUENCY PASSED IS 2350 MHz WITH A 1 dB BANDWIDTH OF 150 MHz. THIS MODULE HAS A TYPICAL GAIN OF 18 dB. THE OUTPUT POWER IS LIMITED TO +2 dBm WHILE THE INPUT CAN HANDLE UP TO +30 dBm.

REVISIONS				
ZONE	REV.	DESCRIPTION	DATE	APPROVED
	A	ORIGINAL RELEASE	5/20/09	
	B	ADDED BUMP-OUT FOR J3	7/10/09	

## MECHANICAL OUTLINE



ALL DIMENSIONS ARE IN INCHES  
 TOLERANCES:  
 X.XX ±0.020  
 X.XXX ±0.010

UNLESS OTHERWISE SPECIFIED DIMENSIONS ARE IN INCHES TOLERANCES ARE: FRACTIONS ± DECIMALS ± ANGLES ± .XX ± 0.010 .XXX ± 0.005		PART NO.		PLANAR MONOLITHICS INDUSTRIES 5715 INDUSTRY LANE UNIT 11 FREDERICK, MARYLAND	
MATERIAL: ALUMINUM ALLOY 6061-T6		APPROVALS	DATE	TITLE OUTLINE DRAWING	
FINISH: 50 μin. GOLD PLATING MIN. OVER COPPER FLASH OVER NICKEL FLASH PER MIL-G 45204 TYPE 2		DRAWN DPD	5/20/09	PEC-18-2D35G-1R75-9-SFF-BPF-HS-LM	
NEXT ASSY	USED ON	CHECKED	ISSUED	SIZE	REV.
APPLICATION		DO NOT SCALE DRAWING		FSCM NO.	B
				DWG NO.	27010641
				SCALE	N/S
				SHEET 2 OF 2	