

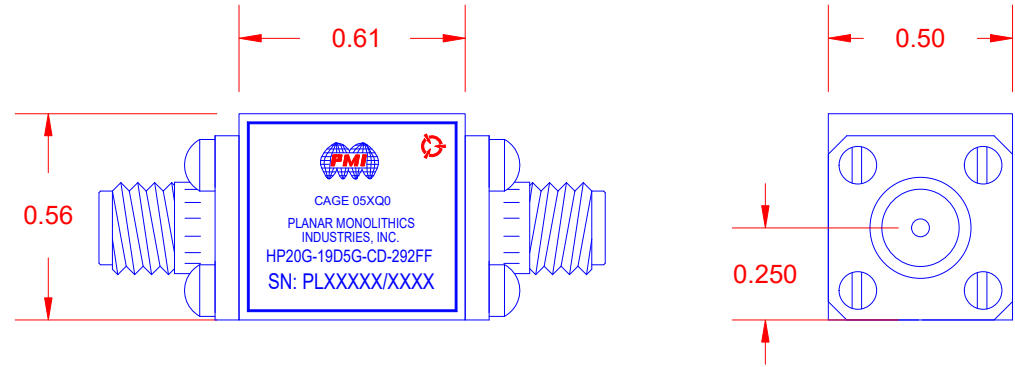
DESCRIPTION:

PMI model number HP20G-19D5G-CD-292FF is a High Pass filter with 2.92mm female connectors in and out. All filters will be machined and silver plated to provide the highest possible Q.

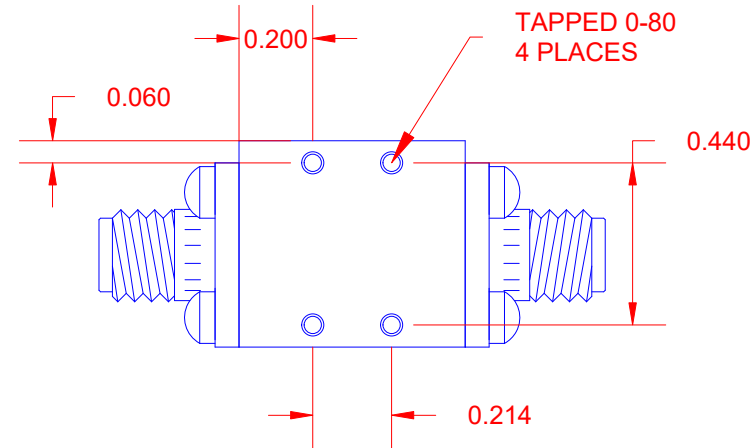
		REVISIONS		
ZONE	REV.	DESCRIPTION	DATE	APPROVED
	A1	ORIGINAL RELEASE	4/9/09	
	A2	ECN # 13-0132	08/30/13	
	A3	ECN # 25-0183	07/01/25	

SPECIFICATIONS:

- PASSBAND : 20 GHz TO 40 GHz
- VSWR IN THE PASS BAND: 2.0:1 MAX.
- INSERTION LOSS (PASSBAND) : 1.5 dB MAX.
- REJECTION @ 14.5 GHz: -54 dB



- CONNECTORS: 2.92 mm FEMALE CONNECTORS
- SIZE : 0.614" (L) x 0.500" (W) x 0.560" (H)
- WEIGHT : 1 OZ. TYP.
- FINISH : PAINTED BLUE



ENVIRONMENTAL RATINGS:

- TEMPERATURE: -55°C TO +85°C (OPERATING)
-65°C TO +125°C (STORAGE)
- HUMIDITY: MIL-STD-202F, METHOD 103B COND. B
- SHOCK: MIL-STD-202F, METHOD 213B COND. B
- VIBRATION: MIL-STD-202F, METHOD 204D COND. B
- ALTITUDE: MIL-STD-202F, METHOD 105C COND. B
- SALT FOG: MIL-STD-202F, METHOD 107D COND. A
- FUNGUS: MIL-STD-810C, METHOD 508.2
- TEMPERATURE CYCLE: MIL-STD-202F, METHOD 107

ALL DIMENSIONS ARE IN INCHES
TOLERANCES:
X.XX ±0.020
X.XXX ±0.010

PMI CONFIDENTIAL AND PROPRIETARY

PART NO.		PLANAR MONOLITHICS INDUSTRIES, INC. 7311-F GROVE ROAD FREDERICK, MARYLAND 21704 USA TEL: 301-662-5019 FAX: 301-662-1731 ISO 9001 CERTIFIED WEBSITE: www.pmi-rf.com E-MAIL: sales@pmi-rf.com				
APPROVALS	DATE					
DRAWN	S. PALACIO	4/9/09	TITLE OUTLINE DRAWING HP20G-19D5G-CD-292FF			
CHECKED			SIZE	FSCM NO.	DWG NO.	REV.
ISSUED			A	05XQ0	27010681	A3
			SCALE	N/A	SHEET 1 OF 1	