

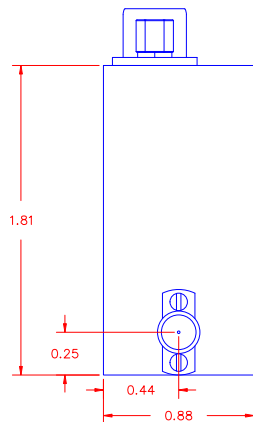
DESCRIPTION:

PMI MODEL NUMBER DTA-50M2D5G-CD-SFF IS A NON-REFLECTIVE 10 BIT PROGRAMMABLE 60 DB PIN DIODE ATTENUATOR WITH STEP RESOLUTION AS LOW AS 0.06 DB OVER THE FREQUENCY RANGE OF 50 MHz TO 2.5 GHz.

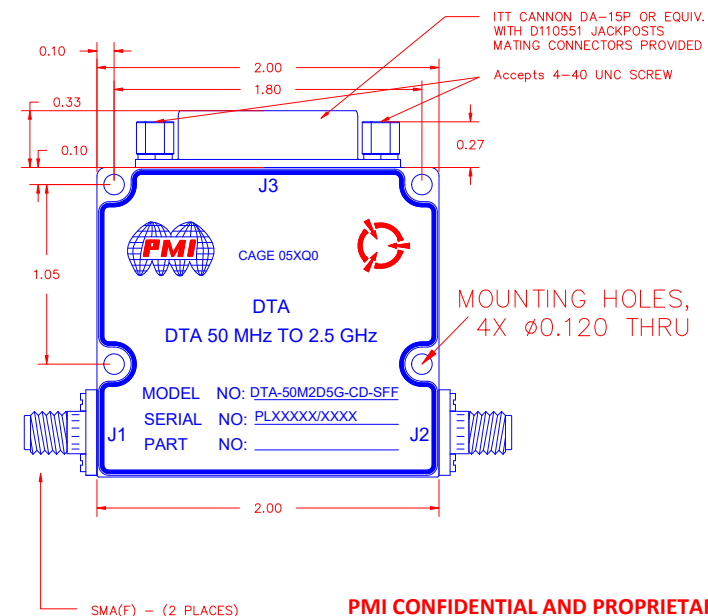
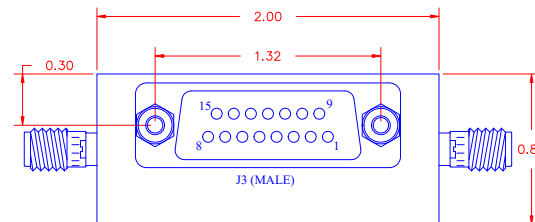
SPECIFICATIONS:

- FREQUENCY: 50 MHz TO 2.5 GHz
- MEAN ATTENUATION RANGE: 60dB
- INSERTION LOSS: 4.5 dB MAX
- VSWR: 2.0 :1 MAX
- FLATNESS UP TO
 - 20 dB ±1.0 dB TYP
 - 40 dB ±1.25 dB TYP
 - 60 dB ±3.0 dB TYP
- ACCURACY OF ATTENUATION
 - 0 dB TO 20 dB ±1.0 dB TYP
 - 20 dB TO 40 dB ±1.5 dB TYP
 - 40 dB TO 60 dB ±2.0 dB TYP
- MINIMUM ATTENUATION STEP: 0.06 dB
- SURVIVAL POWER: 2W Average from -65°C to +25°C
- SWITCHING TIME
 - ON TIME 1.0 usec MAX
 - OFF TIME 0.5 usec MAX
- DC POWER SUPPLY: +15V @ 150mA MAX
- CONNECTORS: 2 SMA Female & 15 PIN D-SUB Shipped with Mating D-SUB
- WEIGHT: 3.0 oz (85 gm) Approximate
- FINISH: PAINTED GRAY
- LOGIC INPUT
 - LOGIC "0" (BIT OFF) -0.3 to +0.8V
 - LOGIC "1" (BIT ON) +2.0 to +5.0V

PIN NO:	J3 PIN FUNCTIONS
1	GND
2	Not Connected
3	0.13 dB
4	GND
5	0.25 dB
6	0.5 dB
7	1.0 dB
8	2.0 dB
9	4.0 dB
10	8.0 dB
11	16.0 dB
12	32.0 dB (MSB)
13	+V
14	Not Connected
15	0.06 dB (LSB)



REVISIONS				
ZONE	REV.	DESCRIPTION	DATE	APPROVED
	A1	ORIGINAL RELEASE	8/29/11	
	A2	ECN # 13-0075	07/02/13	
	A3	ECN # 25-0063	03/03/25	



ALL DIMENSIONS ARE IN INCHES
TOLERANCES:
X.XX ±0.020
X.XXX ±0.010

ENVIRONMENTAL RATINGS:

- TEMPERATURE: -50°C TO +100°C (OPERATING)
-65°C TO +125°C (STORAGE)
- HUMIDITY: MIL-STD-202F, METHOD 103B COND. B
- SHOCK: MIL-STD-202F, METHOD 213B COND. B
- VIBRATION: MIL-STD-202F, METHOD 204D COND. B
- ALTITUDE: MIL-STD-202F, METHOD 105C COND. B
- TEMPERATURE CYCLE: MIL-STD-202F, METHOD 107

NOTE: THE ABOVE SPECIFICATIONS ARE SUBJECT TO CHANGE OR REVISION

PLANAR MONOLITHICS INDUSTRIES, INC.

7311-F GROVE ROAD
FREDERICK, MARYLAND 21704 USA
TEL: 301-662-5019 FAX: 301-662-1731
WEBSITE: www.pmi-rf.com
E-MAIL: sales@pmi-rf.com
ISO 9001:2008 CERTIFIED



APPROVALS		DATE	TITLE			
DRAWN NJA		8/29/11	PRODUCT FEATURE			
CHECKED			DTA-50M2D5G-CD-SFF			
ISSUED			SIZE A	FSCM NO. 05XQ0	DWG NO. 27013961	REV. A3
			SCALE N:S	SHEET 1 OF 1		