

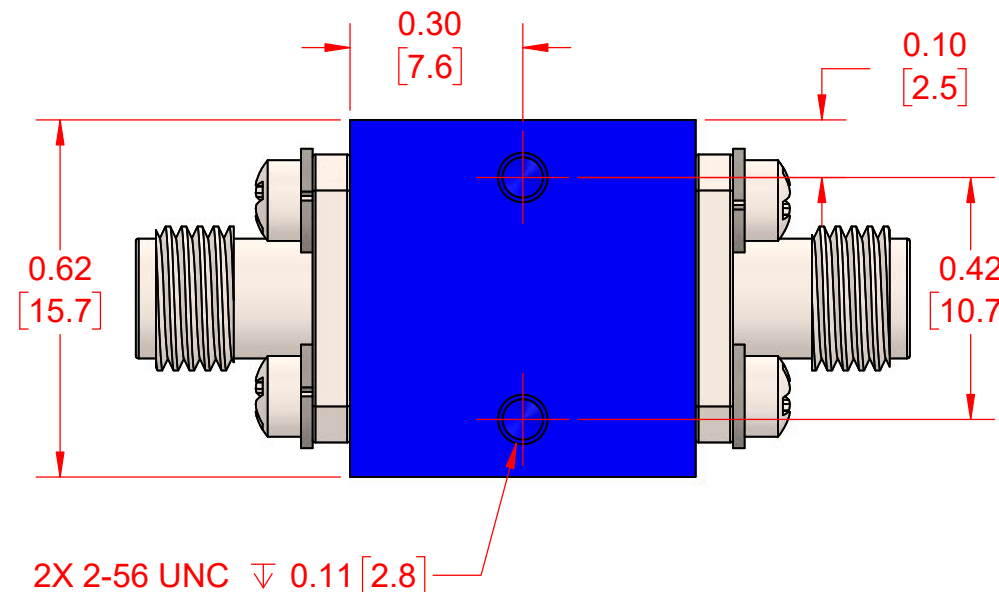
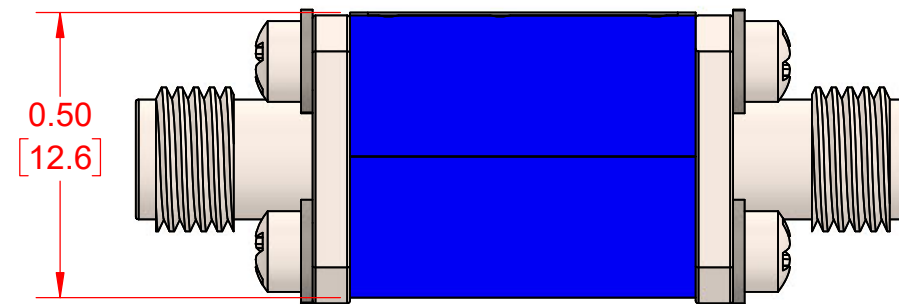
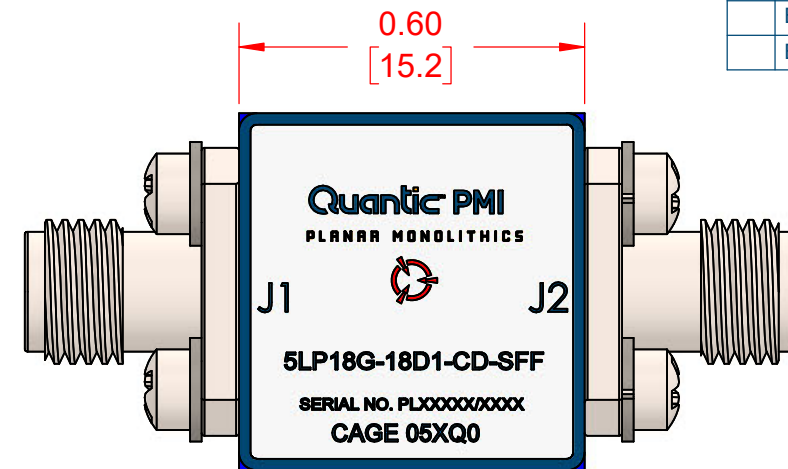
**DESCRIPTION:**

PMI MODEL 5LP18G-18D1G-CD-SFF is a Suspended Substrate Lowpass filter with SMA female connectors in and out.

ZONE	REV.	DESCRIPTION	DATE	APPROVED
	A	ORIGINAL RELEASE	3/18/11	
	B1	ECN # 24-0342	11/26/2024	
	B2	ECN # 26-0017	1/28/2026	

**SPECIFICATIONS:**

- FREQUENCY:..... DC TO 18.0 GHz
- 3dB CUTOFF:..... 18.1 GHz
- VSWR IN THE PASS BAND:..... 1.5:1 MAX
- INSERTION LOSS (PASS BAND):..... 1 dB MAX
- REJECTION:..... 30 dB MIN @ 19 GHz  
60 dB MIN FROM 20 TO 28 GHz
- CONNECTORS:..... SMA FEMALE CONNECTORS
- SIZE:..... 0.6 X 0.62" X 0.5"
- WEIGHT:..... 1 OZ. TYP.
- FINISH:..... PAINTED BLUE



**ENVIRONMENTAL RATINGS:**

- TEMPERATURE:..... -55°C TO +85°C (OPERATING)  
-65°C TO +125°C (STORAGE)
- HUMIDITY:..... MIL-STD-202, METHOD 103B COND. B
- SHOCK:..... MIL-STD-202, METHOD 213B COND. B
- VIBRATION:..... MIL-STD-202, METHOD 204D COND. B
- ALTITUDE:..... MIL-STD-202, METHOD 105C COND. B
- TEMPERATURE CYCLE:..... MIL-STD-202, METHOD 107D COND. A

PMI CONFIDENTIAL AND PROPRIETARY

NOTE: SPECIFICATIONS WILL VARY OVER TEMPERATURE  
NOTE: THE ABOVE SPECIFICATIONS ARE SUBJECT TO CHANGE OR REVISION

UNLESS OTHERWISE SPECIFIED DIMENSIONS ARE IN INCHES TOLERANCES ARE: FRACTIONS DECIMALS ANGLES ± .XX ± 0.02 ± .XXX ± 0.01		APPROVALS DATE DRAWN S. PALACIO 3/18/11 REDRAWN ISSUED		TITLE OUTLINE 5LP18G-18D1G-CD-SFF	
		SIZE B FSCM NO. 05XQ0 DWG NO. 27014401 SCALE 3:1	REV. B2 SHEET 1 OF 1	Quantic PMI PLANAR MONOLITHICS 7309-A GROVE ROAD FREDERICK MARYLAND 21704 USA TEL: (301) 662-5019, FAX: (301) 662-1731 WEB: WWW.QUANTICPMI.COM, EMAIL: SALES@QUANTICPMI.COM ISO 9001 CERTIFIED	