

## Description:

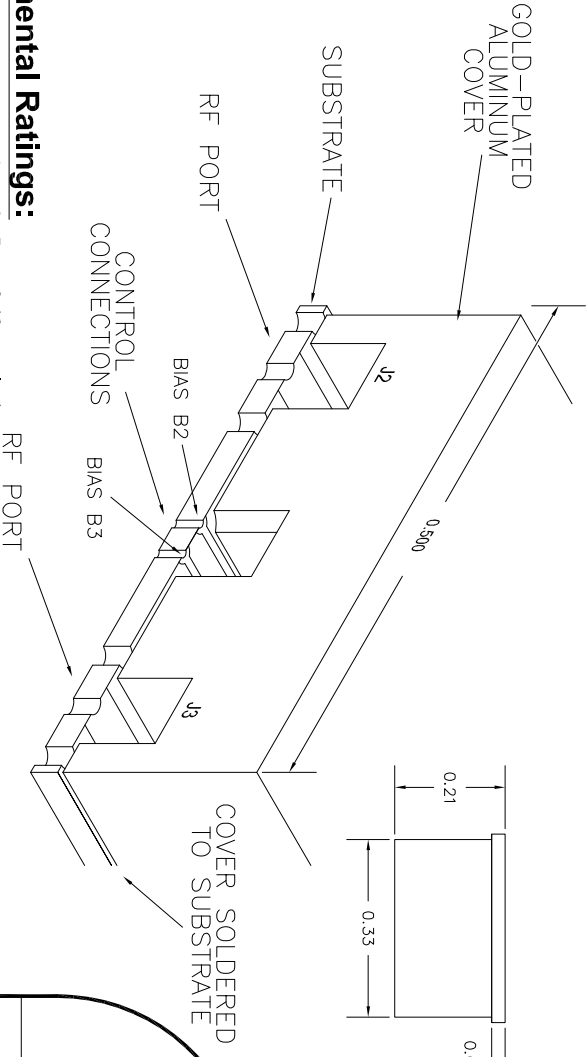
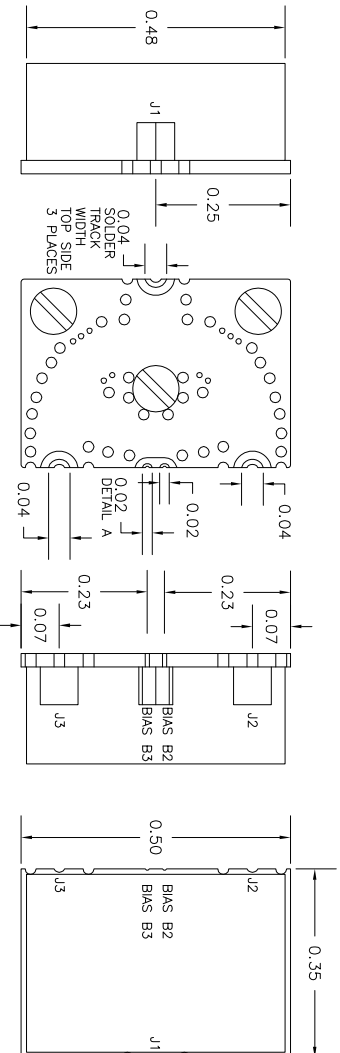
The P2T-14D415D4-15-SMT-20W is a driverless high-power SP2T switch in a compact package designed for surface-mounting.

## Specifications:

Frequency Range:	14.4 to 15.4 GHz
Power Handling:	20W Max.
Insertion Loss:	1.2 dB Max @ 25°C
Insertion Loss:	1.5 dB Max Over Temperature (-54 to 85°C)
Compression:	0.5 dB Typ @ 20W
Tx/Rx Isolation:	10dB Min.
Control Voltage:	Fwd Bias 50 mA Rev Bias -15V
Connectors In/Out:	None (surface mount)
Dimensions:	0.35" X 0.5" X 0.21"
Finish:	Gold Plating

Switch State	Bias B2	Bias B3
J2-J1 Low I.L.	-15V	+50mA
J3-J1 Low I.L.	+50mA	-15V

NOTE: J2 and J3 are not internally DC blocked, so bias voltage will be present.  
J1 is internally DC blocked, so no bias voltage will be present.



**Environmental Ratings:**  
 Temperature: -54 to +85 Deg. C (Operating)  
 -65 to +125 Deg. C (Storage)  
 Temperature Cycle: MIL-STD-202F, METHOD 107D COND A

ALL DIMENSIONS ARE IN INCHES  
 TOLERANCES:  
 X.XXX ±0.010  
 X.XXX ±0.005

REVISIONS		DATE	APPROVED
ZONE	REV.	DESCRIPTION	
	A	ORIGINAL RELEASE	PK

CONFIDENTIAL & PROPRIETARY

**PLANAR MONOLITHICS INDUSTRIES, INC.**  
 7311-F GROVE ROAD  
 FREDERICK, MARYLAND 21704 USA  
 TEL: 301-662-5019 FAX: 301-662-1731  
 WEBSITE: www.pmi-ll.com  
 E-MAIL: sales@pmi-ll.com  
 ISO 9001:2000 CERTIFIED



APPROVALS	DATE	TITLE	PRODUCT FEATURE
DRAWN NJA	5/8/12	P2T-14D415D4-15-SMT-20W	
CHECKED		SCALE N:S	SIZE FSCM NO. A 05X00
ISSUED		DWG NO. 27016741	REV. A