

**DESCRIPTION:**

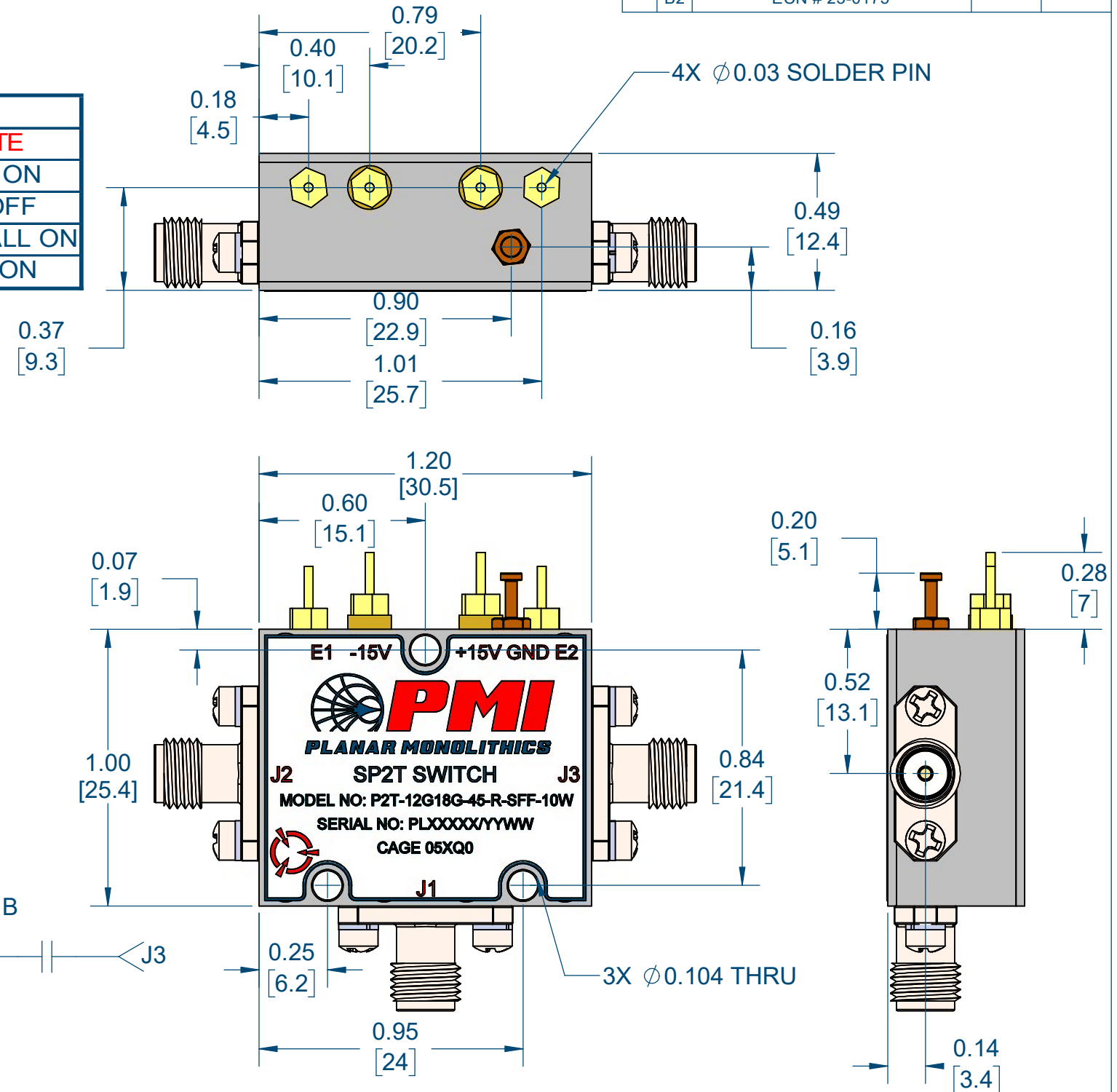
PMI MODEL P2T-12G18G-45-R-SFF-10W IS AN INDEPENDENTLY CONTROLLED, HIGH POWER REFLECTIVE SINGLE POLE TWO THROW SWITCH DESIGNED TO OPERATE BETWEEN THE 12 TO 18 GHz FREQUENCY RANGE.

ZONE	REV.	DESCRIPTION	DATE	APPROVED
	1	ORIGINAL RELEASE	3/17/2013	
	B1	ECN # 22-0083	8/17/2022	
	B2	ECN # 23-0175	9/25/2023	

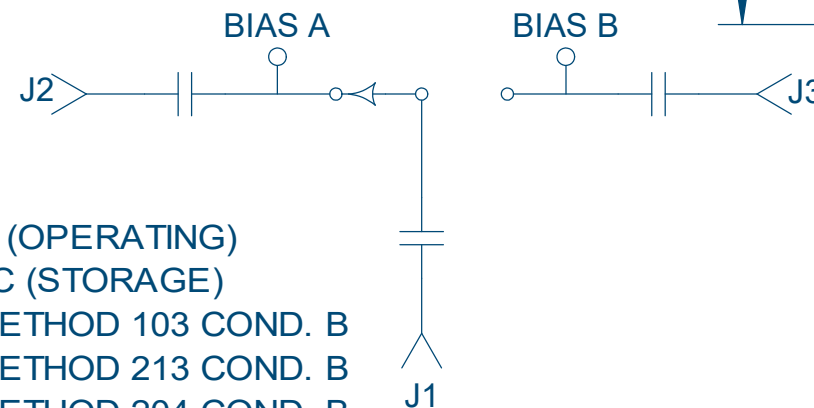
**SPECIFICATIONS:**

- FREQUENCY RANGE:..... 12 TO 18 GHz
- INSERTION LOSS:..... 1.5 dB TYP, 2.0 dB MAX
- ISOLATION:..... 45 dB MIN
- VSWR:..... 2.0:1 MAX
- RISE TIME:..... 20 ns MAX
- FALL TIME:..... 20 ns MAX
- DELAY ON:..... 50 ns MAX
- DELAY OFF :..... 50 ns MAX
- PORT TO PORT SWITCHING:..... 60 ns MAX
- PULSE WIDTH:..... 1 us MAX
- MAXIMUM PRF:..... 2 MHz
- CONTROL:..... TTL LOW (0.2 VDC NOM) = INSERTION LOSS  
TTL HIGH (3.5 VDC NOM) = ISOLATION
- POWER SUPPLY:..... +15 V @ 100 mA MAX  
-15 V @ 75 mA MAX
- PEAK POWER (OPERATING):..... 30 WATTS MAX
- AVERAGE POWER (OPERATING): 10 WATTS MAX
- CONNECTORS:..... SMA FEMALE
- WEIGHT:..... 1.5 OZ TYP
- FINISH:..... PAINTED GRAY

LOGIC TABLE		
E1	E2	STATE
0	0	J1- J3 ON
0	1	ALL OFF
1	0	SPLIT - ALL ON
1	1	J1-J2 ON



**BLOCK DIAGRAM**



**ENVIRONMENTAL RATINGS:**

- TEMPERATURE:..... -55°C TO +85°C (OPERATING)  
-65°C TO +125°C (STORAGE)
- HUMIDTY:..... MIL-STD-202, METHOD 103 COND. B
- SHOCK:..... MIL-STD-202, METHOD 213 COND. B
- VIBRATION:..... MIL-STD-202, METHOD 204 COND. B
- ALTITUDE:..... MIL-STD-202, METHOD 105 COND. B
- TEMPERATURE CYCLE:..... MIL-STD-202, METHOD 107 COND. A

NOTE: SPECIFICATIONS WILL VARY OVER TEMPERATURE  
NOTE: THE ABOVE SPECIFICATIONS ARE SUBJECT TO CHANGE OR REVISION

PMI CONFIDENTIAL AND PROPRIETARY

APPROVALS DRAWN: ANG REDRAWN: E. CASTILLO ISSUED:		DATE 3/17/2013 5/26/26	 7309-A GROVE ROAD FREDERICK MARYLAND 21704 USA TEL: (301) 682-5019, FAX: (301) 682-1751 WEB: WWW.QUANTICPMI.COM, EMAIL: SALES@QUANTICPMI.COM ISO 9001 CERTIFIED		TITLE OUTLINE P2T-12G18G-45-R-SFF-10W
UNLESS OTHERWISE SPECIFIED DIMENSIONS ARE IN INCHES TOLERANCES ARE: FRACTIONS DECIMALS ANGLES ± .XX ± 0.02 ± .XXX ± 0.01	SIZE B	FSCM NO. 05XQ0	DWG NO. 27018991	REV. B2	SCALE 2:1 SHEET 1 OF 1