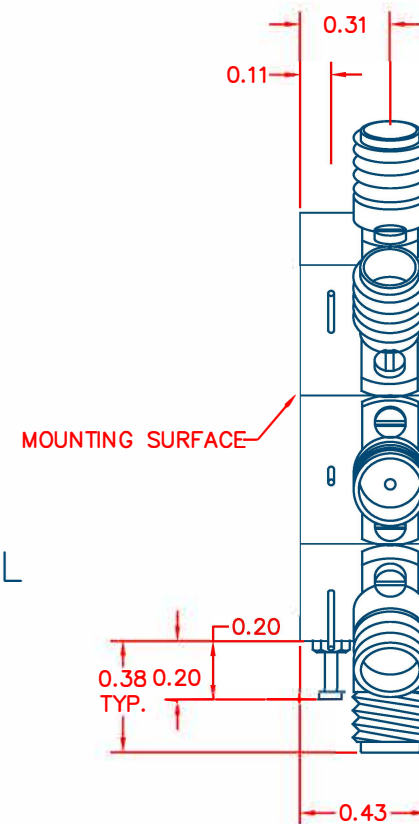


DESCRIPTION

THE MODEL P8T-500M40G-60-T-55-292FF IS A HIGH SPEED, SINGLE POLE, EIGHT THROW, ABSORPTIVE SWITCH CAPABLE OF SWITCHING WITHIN 50ns. THE FREQUENCY RANGE IS 0.5 TO 40.0 GHz AND THIS SWITCH HAS OVER 60dB OF ISOLATION.

SPECIFICATIONS

- FREQUENCY RANGE: 0.5 TO 40.0 GHz
- ISOLATION 60dB MIN
- INSERTION LOSS 10dB MAX
- VSWR IN/OUT 2.5:1 MAX.
- OPERATING INPUT POWER +20dBm CW
- SWITCHING SPEED 50 nSEC TYP.
- DC VOLTAGE AND CURRENT +5VDC @ 70mA
-5VDC @ 20mA
- CONTROL SIGNAL 3 LINE DECODED TTL
See Table 1
- CONNECTORS 2.92mm(F)
- FINISH PAINTED BLUE.



		REVISIONS		
ZONE	REV.	DESCRIPTION	DATE	APPROVED
	1	ORIGINAL RELEASE	6/12/13	
	A2	ECN # 14-0210	12/19/14	
	B1	ECN # 18-0158	7/17/18	
	B2	ECN # 26-0053	3/10/26	

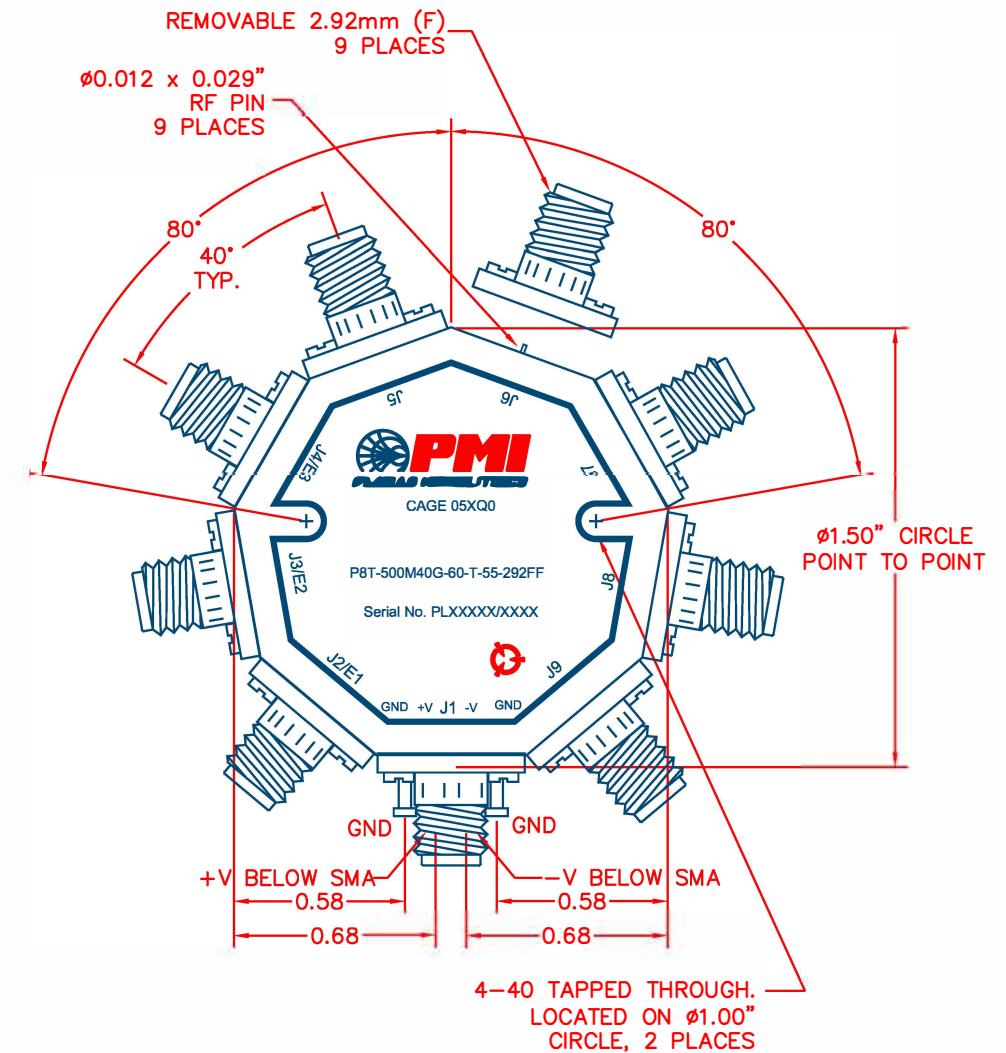


Table 1

E1	E2	E3	FUNCTION
0	0	0	J1-J2
0	0	1	J1-J3
0	1	0	J1-J4
0	1	1	J1-J5
1	0	0	J1-J6
1	0	1	J1-J7
1	1	0	J1-J8
1	1	1	J1-J9

ENVIRONMENTAL RATINGS

- TEMPERATURE: -54°C TO +95°C (OPERATING)
-65°C TO +125°C (STORAGE)
- HUMIDITY: MIL-STD-202F, METHOD 103B COND. B
- SHOCK: MIL-STD-202F, METHOD 213B COND. B
- VIBRATION: MIL-STD-202F, METHOD 204D COND. B
- ALTITUDE: MIL-STD-202F, METHOD 105C COND. B
- TEMPERATURE CYCLE: MIL-STD-202F, METHOD 107D COND. A

NOTE: SPECIFICATIONS WILL VARY OVER OPERATING TEMPERATURE
NOTE: THE ABOVE SPECIFICATIONS ARE SUBJECT TO CHANGE OR REVISION

ALL DIMENSIONS ARE IN INCHES
TOLERANCES:
X.XX ±0.020
X.XXX ±0.010

PMI CONFIDENTIAL AND PROPRIETARY

PLANAR MONOLITHICS INDUSTRIES, INC.

7311-F GROVE ROAD
FREDERICK, MARYLAND 21704 USA
TEL: 301-662-5019 FAX: 301-662-1731
WEBSITE: www.pmi-rf.com
E-MAIL: sales@pmi-rf.com
ISO 9001 CERTIFIED



APPROVALS		DATE	TITLE		
DRAWN <i>DAB</i>		6/12/13	PRODUCT FEATURE		
CHECKED			P8T-500M40G-60-T-55-292FF		
ISSUED			0.5 TO 40.0 GHz HIGH SPEED SWITCH 8 THROW		
SIZE	FSCM NO.	DWG NO.	REV.		
A	05XQ0	27019561	B2		
SCALE N:S			SHEET 1 OF 1		