

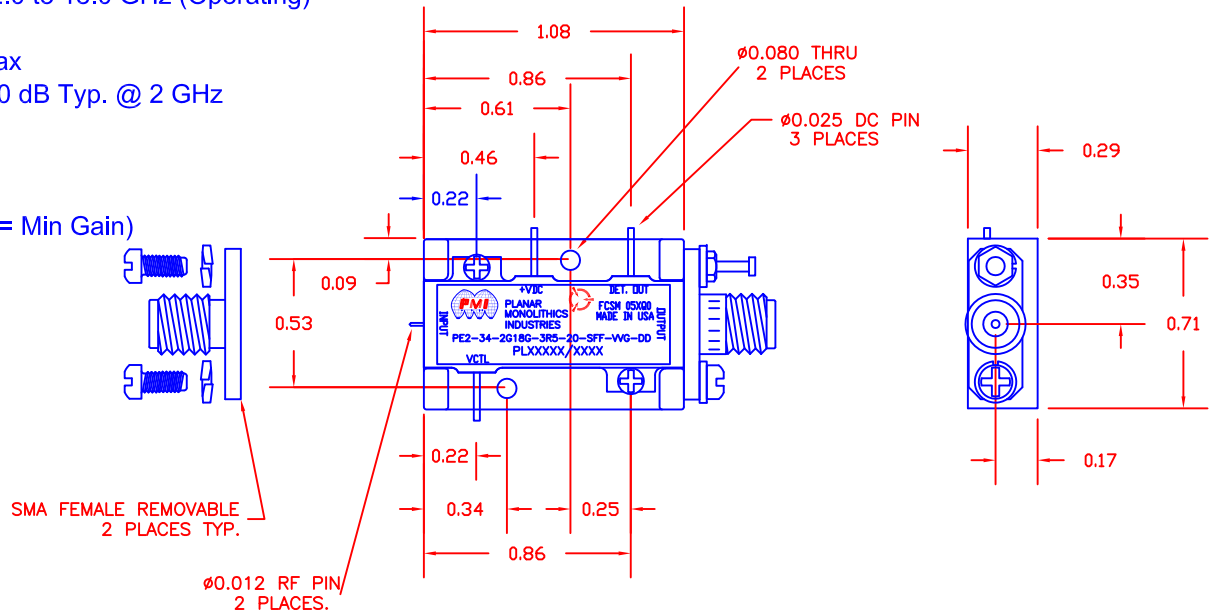
Description:

PMI model # PE2-34-2G18G-3R5-20-SFF-VVG-DD is a voltage variable gain amplifier with integrated diode detector that operates over the frequency range 2.0 to 18.0 GHz This amplifier is supplied in our standard PE2 housing that can be used as a SMA connectorized or a surface mount component. It is optimized for 5.5 to 18.0 GHz meeting the following specifications:

Specifications:

Frequency Range:5.5 to 18.0 GHz (Specified) / 2.0 to 18.0 GHz (Operating)
 *Linear Gain:30 dB Min.
 *Gain Flatness: +/- 1.0 dB Goal / +/- 1.5 dB Max
 *Noise Figure:3.0 dB Goal / 3.7 dB Max. / 4.0 dB Typ. @ 2 GHz
 *OP1dB:+10 dBm Min.
 VSWR Input/Output:2.0:1 Max.
 Gain Control:20 dB Min.
 Control Voltage:0 to 1.5 VDC, 2 VDC Max. (0V = Min Gain)
 Diode Detector:Included at the output port
 Diode Detector Sensitivity:0.5 mV/mW typical
 DC Voltage Supply:+12 to +15 VDC
 DC Current Draw:280 mA Nominal
 Connectors In/Out:SMA Female
 Finish:Gold Plated

*At 0dB Attenuation



REVISIONS				
ZONE	REV.	DESCRIPTION	DATE	APPROVED
	1	ORIGINAL RELEASE	07/08/16	JM

PMI CONFIDENTIAL AND PROPRIETARY

Environmental Ratings:

Temperature: -55 to +85 Deg. C (Operating);
 -55 to +125 Deg. C (Storage)
 Humidity: MIL-STD-202F, METHOD 103B COND B.
 Shock: MIL-STD-202F, METHOD 213B COND B.
 Altitude: MIL-STD-202F, METHOD 105C COND B.
 Temperature Cycle: MIL-STD-202F, METHOD 107D COND A

Note: The above specifications are subject to change or revision.

ALL DIMENSIONS ARE IN INCHES
 TOLERANCES:
 X.XX ±0.020
 X.XXX ±0.010

PLANAR MONOLITHICS INDUSTRIES, INC.
 4921 ROBERT J MATHEWS PKWY, STE 1
 EL DORADO HILLS, CALIFORNIA 95762
 TEL: 916-542-1401 FAX: 916-265-2597
 WEBSITE: www.pmi-rf.com
 E-MAIL: sales@pmi-rf.com
 ISO 9001 CERTIFIED



APPROVALS		DATE	TITLE		
DRAWN <i>JMS</i>		07/08/16	PRODUCT FEATURE		
CHECKED			PE2-34-2G18G-3R5-20-SFF-VG-DD		
ISSUED			SIZE	FSCM NO.	DWG NO.
			A	05XQ0	27029691
			SCALE	N:S	SHEET 1 OF 1
					REV. 1