

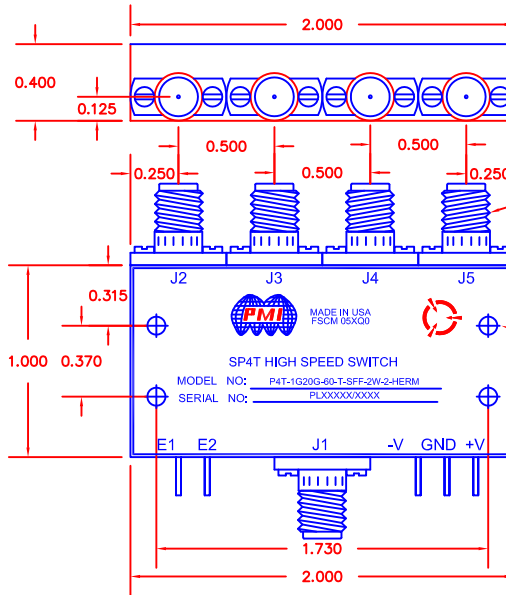
SPECIFICATIONS:

PMI MODEL NUMBER P4T-1G20G-60-T-SFF-2W-2-HERM IS A SINGLE POLE FOUR THROW, BROAD BAND, HIGH POWER, SOLID STATE ABSORPTIVE SWITCH WITH HIGH ISOLATION AND LOW LOSS.

SPECIFICATIONS:

- FREQUENCY: 1 GHz TO 20 GHz
- INSERTION LOSS: 4.5dB Typ. (1-18GHz)
6.5dB Typ. (18-20GHz)
- ISOLATION: 60dB Min. (1-18GHz)
50dB Typ. (18-20GHz)
- VSWR: ABSORPTIVE IN/OUT: 2.0:1 Typ.
ABSORPTIVE OUT/OFF: 2.0:1 Typ.
- SPEED: DELAY ON: 500ns TYPICAL
DELAY OFF: 500ns TYPICAL
- POWER INPUT: +33 dBm CW
- CONTROL: SEE LOGIC TABLE
- POWER SUPPLY: +5V @ 150 mA MAX.
-12V @ 100 mA MAX.
- FINISH: PAINTED BLUE
- SEAL: HERMETIC

REVISIONS				
ZONE	REV.	DESCRIPTION	DATE	APPROVED
	1	ORIGINAL RELEASE	9/12/16	
	A1	ECN # 17-0043	3/08/17	



SMA (FEMALE)
5 Places

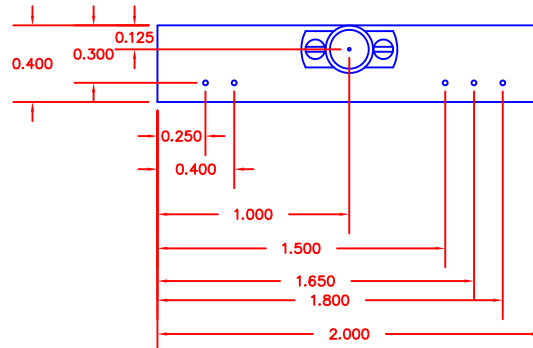
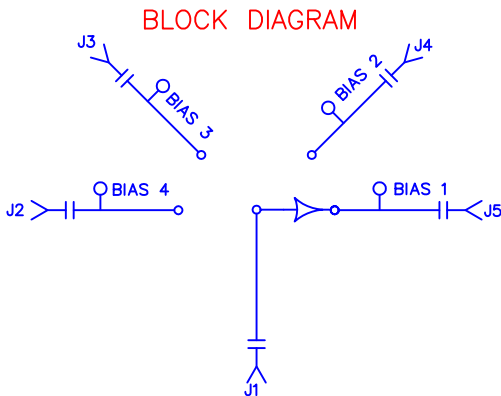
MOUNTING HOLES,
Ø0.094 THRU,
4 PLACES

- LOGIC INPUT
LOGIC "0" (BIT OFF) -0.3 to +0.8V
LOGIC "1" (BIT ON) +2.0 to +5.0V

LOGIC TABLE		
2 BIT DECODER		
E1	E2	FUNCTION
0	0	J1-J2 "Low Loss"
0	1	J1-J3 "Low Loss"
1	0	J1-J4 "Low Loss"
1	1	J1-J5 "Low Loss"

*E1, E2 PULLED "1" BY DESIGN

PMI CONFIDENTIAL AND PROPRIETARY



ENVIRONMENTAL RATINGS:

- TEMPERATURE: -55°C TO +85°C (OPERATING)
-65°C TO +125°C (STORAGE)
- HUMIDITY: MIL-STD-202F, METHOD 103B COND. B
- SHOCK: MIL-STD-202F, METHOD 213B COND. B
- VIBRATION: MIL-STD-202F, METHOD 204D COND. B
- ALTITUDE: MIL-STD-202F, METHOD 105C COND. B
- TEMPERATURE CYCLE: MIL-STD-202F, METHOD 107D COND. A

ALL DIMENSIONS ARE IN INCHES
TOLERANCES:

X.XX ±0.020
X.XXX ±0.010

NOTE: THE ABOVE SPECIFICATIONS ARE SUBJECT TO CHANGE OR REVISION

PLANAR MONOLITHICS INDUSTRIES, INC.

7311-F GROVE ROAD
FREDERICK, MARYLAND 21704 USA
TEL: 301-662-5019 FAX: 301-662-1731
WEBSITE: www.pmi-rf.com
E-MAIL: sales@pmi-rf.com
ISO 9001 CERTIFIED



APPROVALS		DATE	TITLE		
DRAWN <i>B. Thomas</i>		9/12/16	PRODUCT FEATURE		
CHECKED			P4T-1G20G-60-T-SFF-2W-2-HERM		
ISSUED			SIZE A	FSCM NO. 05XQ0	DWG NO. 27030561
			REV. A1		
			SCALE N:S	SHEET 1 OF 1	