

DESCRIPTION:

PLANAR MONOLITHICS INDUSTRIES MODEL NUMBER P3T-2G18G-60-T-SFF-REVB-SP IS A SINGLE POLE, THREE THROW NON-REFLECTIVE SWITCH DESIGNED TO OPERATE OVER THE 2.0 GHz TO 18.0 GHz FREQUENCY RANGE. THIS MODEL IS DESIGNED TO MAINTAIN LOW INSERTION LOSS, HIGH ISOLATION, AND FAST SWITCHING SPEED. THIS MODEL OFFERS LOW VIDEO TRANSIENT PERFORMANCE OF 20 mV MAXIMUM.

SPECIFICATIONS:

- FREQUENCY RANGE: 2.0 GHz TO 18.0 GHz
- INSERTION LOSS: 3.2 dB MAXIMUM
- VSWR (IN/OUT): 2.0 : 1 MAXIMUM
- INPUT POWER: 200 mW CW MAXIMUM
- ISOLATION: 60 dB MINIMUM
- SWITCHING SPEED: ON/OFF - 50 ns MAXIMUM
- VIDEO LEAKAGE: 20 mV @ 350 MHz BW MAXIMUM (1) (2)
- CONTROL: TTL LOGIC "0" = "LOW LOSS"
TTL LOGIC "1" = "ISOLATION"
PINS E1, E2, & E3 ARE PULLED LOW "0"
*SURGE PROTECTION INCLUDED ON TTL LINES
- DC VOLTAGE: +5 VDC @ 110 ma TYPICAL
-12 VDC @ 90 ma TYPICAL
- CONNECTORS: SMA FEMALE (FIELD REMOVABLE)
- POWER AND CONTROL: EMI FILTERED SOLDER PINS
- SIZE: 1.50 X 1.00 X 0.50
- SEALING: UNLESS OTHERWISE SPECIFIED, PMI WILL SUPPLY EPOXY SEAL
- FINISH: BLUE EPOXY POLIMIDE COATING IAW MIL-C-22750, TYPE I OVER EPOXY POLIMIDE PRIMER IAW MIL-P-23377, TYPE I, CLASS 1 OR 3.

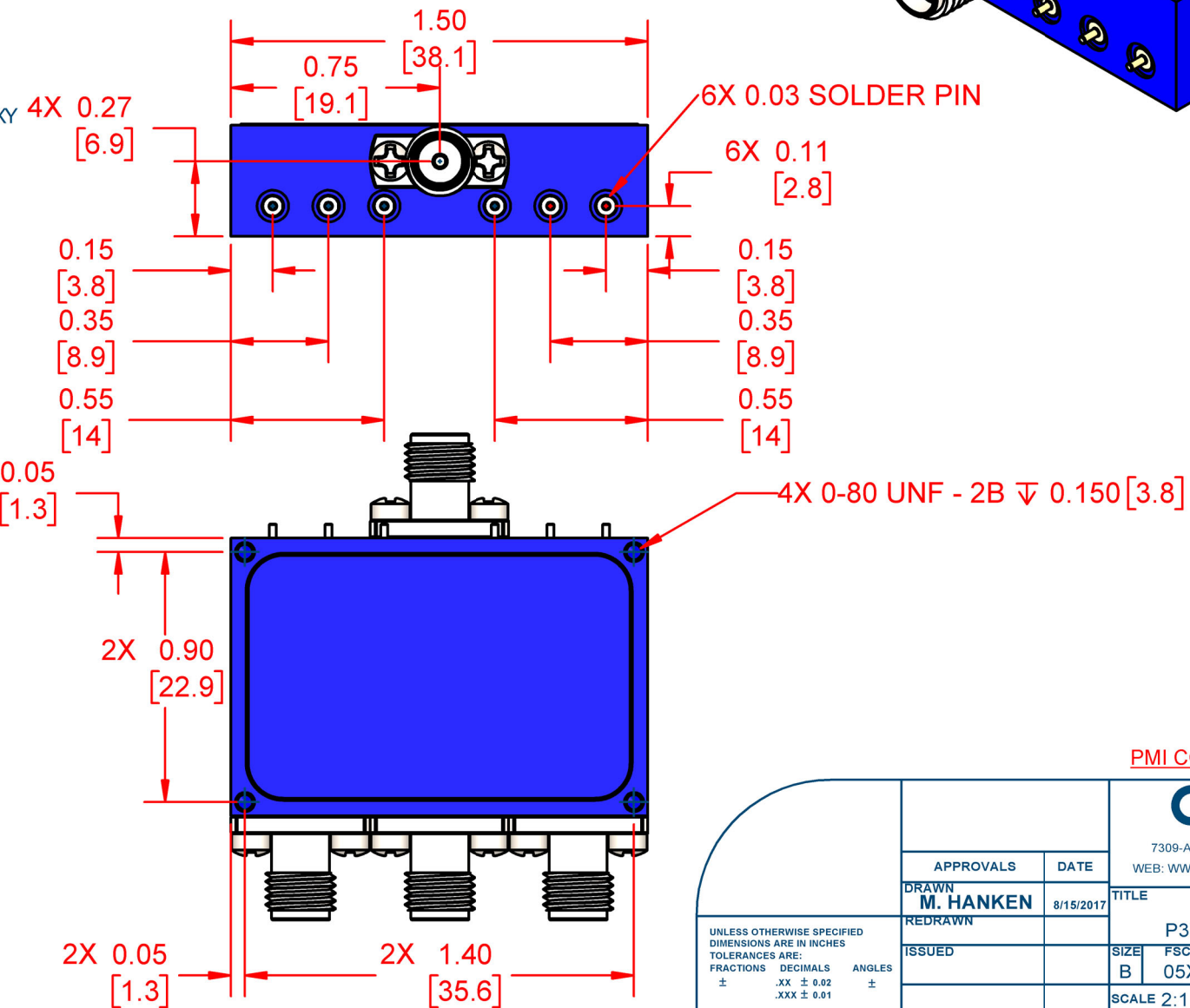
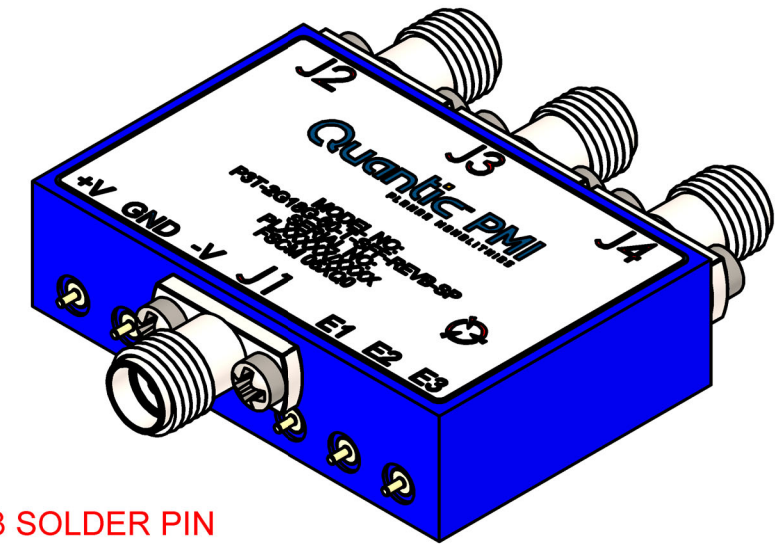
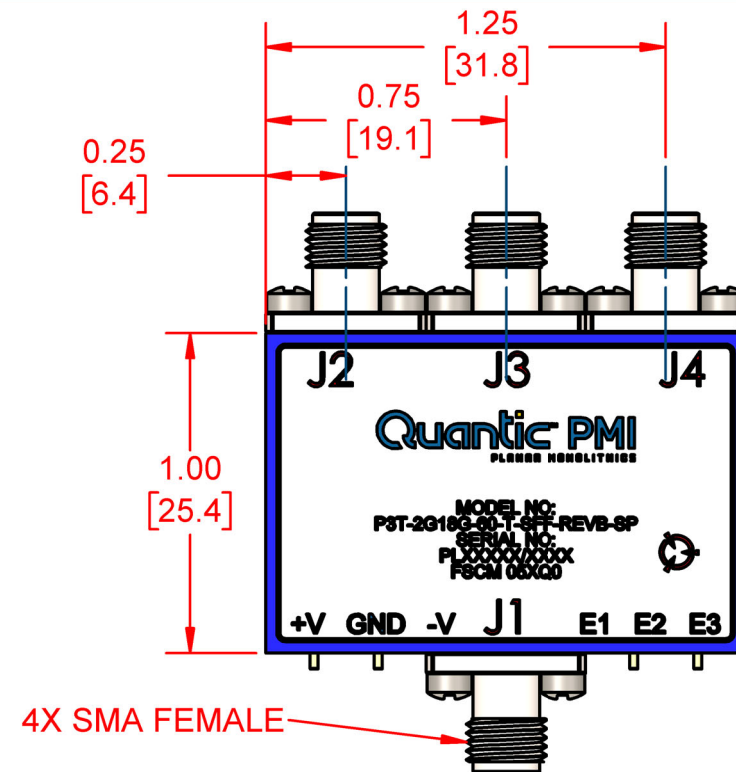
- (1) AFTER 50 nsec NO VIDEO TRANSIENT WILL BE PRESENT
- (2) VIDEO FILTER IS REQUIRED ON INPUT AND OUTPUT PORTS

ENVIRONMENTAL RATINGS:

- TEMPERATURE: -54°C TO +85°C (OPERATING)
-65°C TO +125°C (STORAGE)
- HUMIDITY: MIL-STD-202F, METHOD 103B COND. B
- SHOCK: MIL-STD-202F, METHOD 213B COND. B
- VIBRATION: MIL-STD-202F, METHOD 204D COND. G
- SALT FOG: MIL-STD-202F, METHOD 101D+EST COND. B
- FUNGUS: MIL-STD-810F, METHOD 508.5

NOTE: SPECIFICATIONS WILL VARY OVER TEMPERATURE
NOTE: THE ABOVE SPECIFICATIONS ARE SUBJECT TO CHANGE OR REVISION

ZONE	REV.	DESCRIPTION	DATE	APPROVED
	A1	ORIGINAL RELEASE	8/15/2017	
	A3	ECN # 20-0125	7/6/20	
	A4	ECN # 23-0096	5/18/23	



PMI CONFIDENTIAL AND PROPRIETARY

APPROVALS DRAWN M. HANKEN REDRAWN ISSUED		DATE 8/15/2017	TITLE OUTLINE P3T-2G18G-60-T-SFF-REVB-SP		REV. A4
UNLESS OTHERWISE SPECIFIED DIMENSIONS ARE IN INCHES TOLERANCES ARE: FRACTIONS DECIMALS ANGLES ± .XX ± 0.02 ± .XXX ± 0.01		SIZE B	FSCM NO. 05XQ0	DWG NO. 27032781	SCALE 2:1 SHEET 1 OF 1

Quantic PMI
PLANAR MONOLITHICS

7309-A GROVE ROAD FREDERICK MARYLAND 21704 USA
TEL: (301) 662-5019 FAX: (301) 662-1731
WEB: WWW.QUANTICPMI.COM EMAIL: SALES@QUANTICPMI.COM
ISO 9001 CERTIFIED