

DESCRIPTION

PMI MODEL: LM-1G18G-16-4W-SMF IS A COAXIAL LIMITER WITH AN OPERATING RANGE OF 1.0 GHz TO 18.0 GHz. THIS MODEL HAS A MAXIMUM INSERTION LOSS OF 2.3 dB AT -10 dBm INPUT POWER WITH A VSWR OF 2.0:1 MAXIMUM. THIS COMPACT UNIT MEASURES 0.90" x 0.38" SQUARE AND IS OUTFITTED WITH SMA CONNECTORS.

SPECIFICATIONS

- FREQUENCY RANGE: --- 1.0 TO 18.0 GHz
- RF POWER HANDLING: -- 4 W CW MAX @ +85°C
1000 W PEAK MAX @ +85°C (1 μs PULSE WIDTH, 0.1% DUTY CYCLE)
- INSERTION LOSS: ----- 2.3 dB MAX @ -10 dBm INPUT POWER
- RECOVERY TIME (3 dB): - 250 ns MAX @ 1000 W PEAK POWER
- LEAKAGE POWER: ----- 40 mW MAX
- SPIKE LEAKAGE: ----- 0.1 erg. MAX
- VSWR: ----- 2.0:1 MAX @ -10 dBm INPUT POWER
- LIMITING THRESHOLD: -- +5 dBm MIN (1 dB COMPRESSION)
- CONNECTORS: ----- INPUT: SMA MALE
OUTPUT: SMA FEMALE
- WEIGHT: ----- 20g [0.705 oz] MAX
- SIZE: ----- (L) 22.86mm x (W) 9.65mm x (H) 9.65mm MAX
[(L) 0.90" x (W) 0.38" x (H) 0.38" MAX EXCLUDING CONNECTORS
- FINISH: ----- PAINTED BLUE

ENVIRONMENTAL RATINGS

IAW MIL-E-5400, CLASS 2 EQUIPMENT

- TEMPERATURE: ----- -54 °C TO +85 °C (OPERATING)
-62 °C TO +95 °C (STORAGE)
- VIBRATION: ----- 0.1 inchpp OR ± 10G, 5 ~ 500 Hz
(FIGURE 2, SHEET 1 OF 3, CURVE IV)
- SHOCK: ----- 15G, 11±1 ms
- HUMIDITY: ----- 100%
- ALTITUDE: ----- 70,000 FT

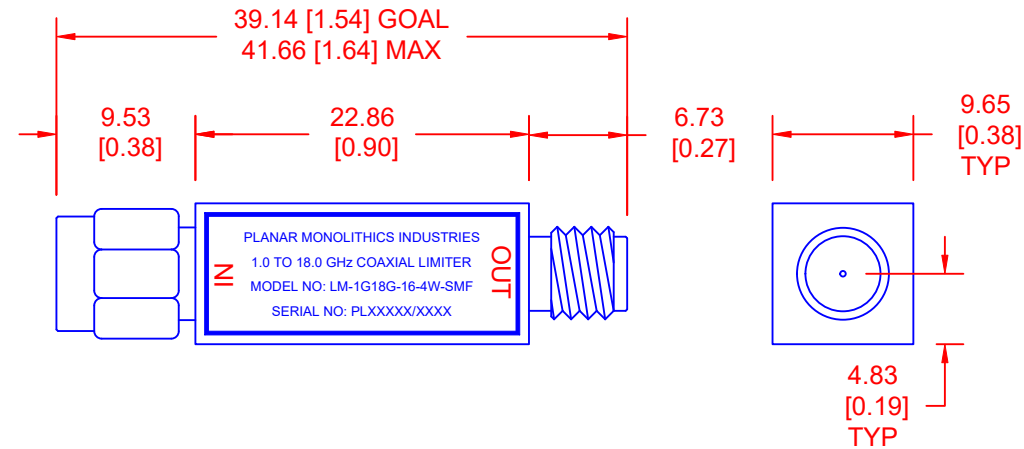
NOTE: SPECIFICATIONS WILL VARY OVER OPERATING TEMPERATURE

NOTE: THE ABOVE SPECIFICATIONS ARE SUBJECT TO CHANGE OR REVISION

PMI CONFIDENTIAL AND PROPRIETARY

REVISIONS				
ZONE	REV.	DESCRIPTION	DATE	APPROVED
	A1	ORIGINAL RELEASE	02/12/18	
	A2	ECN #25-0309	12/17/25	

MECHANICAL OUTLINE



ALL DIMENSIONS
ARE IN mm [INCH]
TOLERANCES:
X.XX ± 0.508 [0.020]
X.XXX ± 0.254 [0.010]

PLANAR MONOLITHICS INDUSTRIES, INC.
7311-F GROVE ROAD
FREDERICK, MARYLAND 21704 USA
TEL: (301)-662-5019, FAX: (301)-662-1731
WEB: www.pmi-rf.com, EMAIL: sales@pmi-rf.com
ISO 9001 CERTIFIED



APPROVALS		DATE	TITLE		
DRAWN M.Berry		02/12/18	PRODUCT FEATURE LM-1G18G-16-4W-SMF 1.0 to 18.0 GHz Coaxial Limiter		
CHECKED			SIZE A	FSCM NO. 05XQ0	DWG NO. 27034040
ISSUED			SCALE N:S	SHEET 1 OF 1	REV. A2