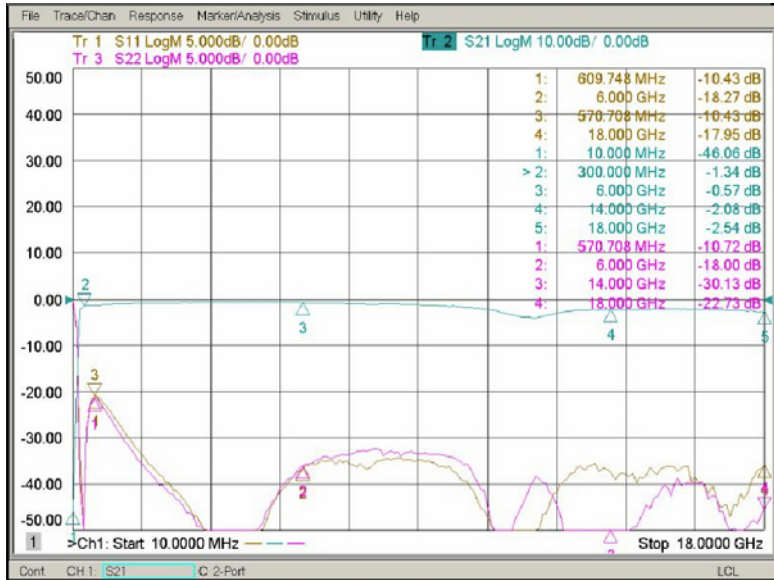


**DESCRIPTION:**

PMI model number HP0R3G-18G-CD-SFF is a Highpass filter with SMA female connectors in and out.

**SPECIFICATIONS:**

- PASSBAND (3dB): \_\_\_\_\_ 300 MHz TO 18000 MHz
- VSWR IN THE PASS BAND: \_\_\_\_\_ 2.0:1 MAX
- INSERTION LOSS (PASSBAND): \_\_\_\_\_ 2.0 dB TYP.
- REJECTION AT 10 MHz: \_\_\_\_\_ 45 dB TYP.
- CONNECTORS: \_\_\_\_\_ SMA FEMALE CONNECTORS
- SIZE: \_\_\_\_\_ 1.00" (L) x 0.71" (W) x 0.32" (H)
- WEIGHT: \_\_\_\_\_ 1 OZ. TYP.
- OPERATING INPUT POWER: \_\_\_\_\_ 1 WATT CW MAX



TYPICAL PERFORMANCE S-PARAMETERS

**ENVIRONMENTAL RATINGS:**

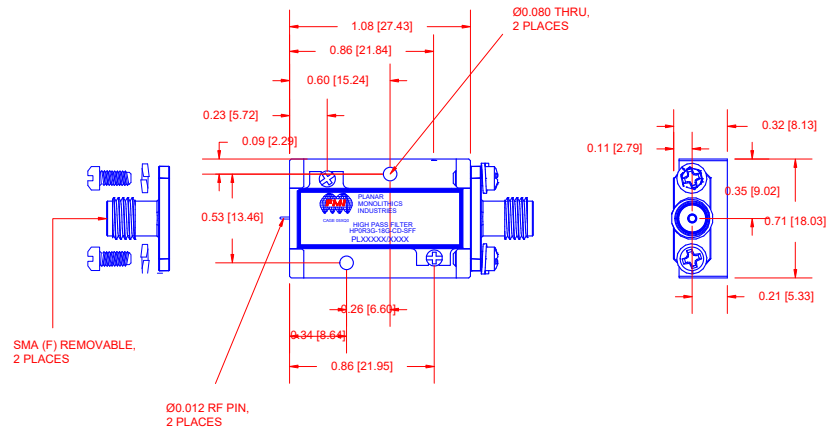
- TEMPERATURE: \_\_\_\_\_ -55°C TO +85°C (OPERATING)  
\_\_\_\_\_ -65°C TO +125°C (STORAGE)
- HUMIDITY: \_\_\_\_\_ MIL-STD-202F, METHOD 103B COND. B
- SHOCK: \_\_\_\_\_ MIL-STD-202F, METHOD 213B COND. B
- VIBRATION: \_\_\_\_\_ MIL-STD-202F, METHOD 204D COND. B
- TEMPERATURE CYCLE: \_\_\_\_\_ MIL-STD-202F, METHOD 107

NOTE: THE ABOVE SPECIFICATIONS ARE SUBJECT TO CHANGE OR REVISION

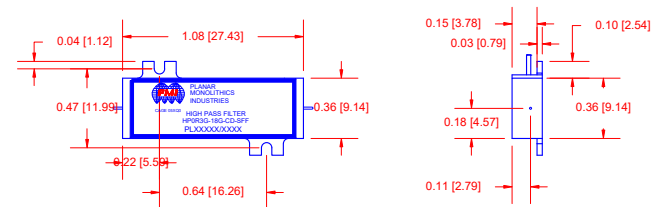
ALL DIMENSIONS ARE IN INCHES  
TOLERANCES:  
X.XX ±0.020  
X.XXX ±0.010

		REVISIONS		
ZONE	REV.	DESCRIPTION	DATE	APPROVED
	A1	ORIGINAL RELEASE	2/27/20	
	B1	ECN # 25-0224	8/05/25	

**PEC HOUSING WITH CARRIER**



**PE2 HOUSING WITHOUT CARRIER (SURFACE MOUNT)**



PMI CONFIDENTIAL AND PROPRIETARY

**PLANAR MONOLITHICS INDUSTRIES, INC.**

7311-F GROVE ROAD  
FREDERICK, MARYLAND 21704 USA  
TEL: 301-662-5019 FAX: 301-662-1731  
WEBSITE: [www.pmi-rf.com](http://www.pmi-rf.com)  
E-MAIL: [sales@pmi-rf.com](mailto:sales@pmi-rf.com)  
ISO 9001 CERTIFIED



APPROVALS		DATE	TITLE		
DRAWN <i>S. PALACIO</i>		3/21/10	PRODUCT FEATURE HP0R3G-18G-CD-SFF		
REDRAWN CW		2/27/20	SIZE A	FSCM NO. 05XQ0	DWG NO. 27039960
ISSUED			REV. B1	SHEET 1 OF 1	