

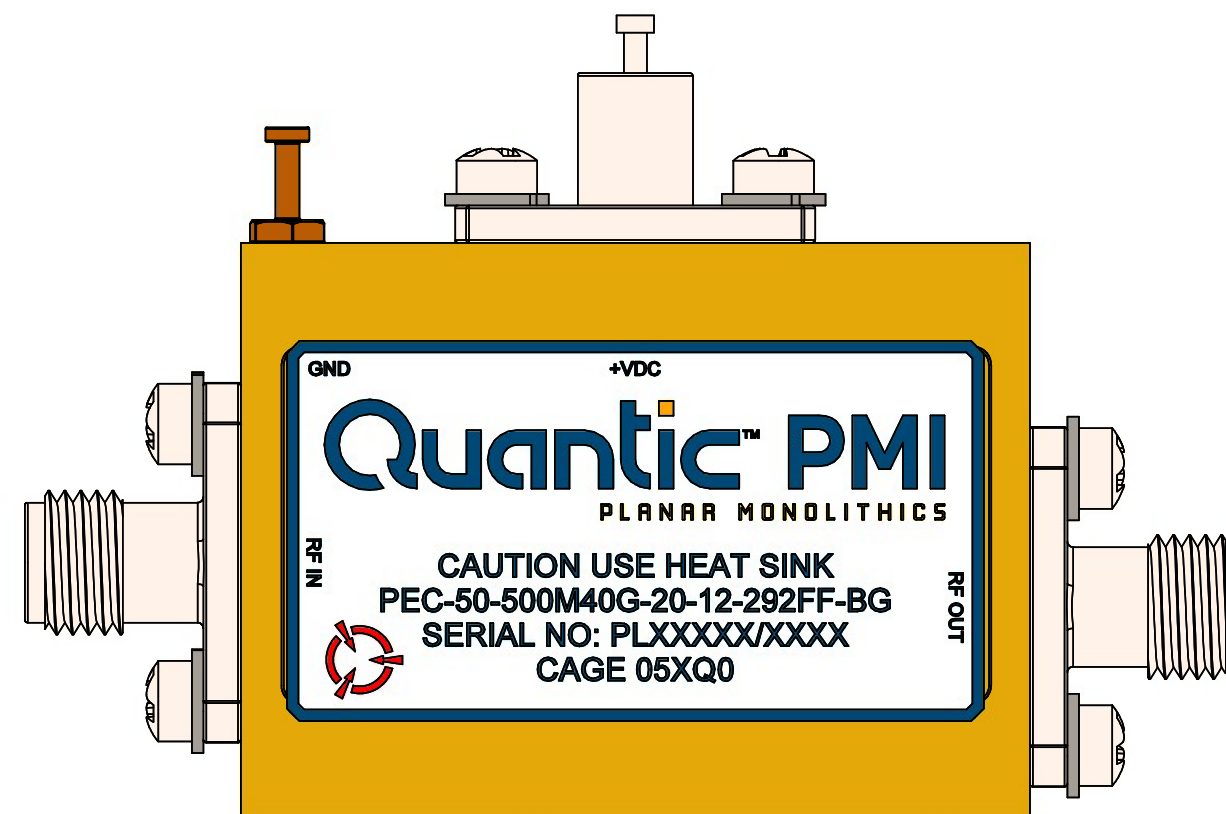
DESCRIPTION:

PMI MODEL NUMBER PEC-50-500M40G-20-12-292FF-BG IS A 500 MHz TO 40 GHz LOW NOISE AMPLIFIER. THIS AMPLIFIER HAS A GAIN OF 50 dB WITH ±2.5 dB FLATNESS.

ZONE	REV.	DESCRIPTION	DATE	APPROVED
	A1	ORIGINAL RELEASE	2/10/2021	
	B2	ECN # 25-0067	3/5/2025	
	B3	ECN # 25-0136	5/2/2025	

SPECIFICATIONS:

- FREQUENCY RANGE:..... 500 MHz TO 40 GHz
 - GAIN:..... 50 dB Typ.
 - GAIN FLATNESS:..... ±2.5 dB Typ.
 - *NOISE FIGURE:..... 5.5 dB Typ
 - OP1dB:..... +22 dBm Min. (1 GHz TO 18 GHz)
+18 dBm Min (18 GHz TO 40 GHz)
 - RF INPUT (ABSOLUTE MAX):..... +17 dBm CW
 - VSWR:..... Input: 2.0:1 Max.
Output: 2.5:1 Max.
 - DC VOLTAGE SUPPLY:..... +12 TO +15 VDC
 - DC CURRENT DRAW:..... 600 mA Typ.
 - CONNECTORS (INPUT/OUTPUT):..... 2.92mm (F)
 - FINISH:..... GOLD PLATED
- * UP TO 26.5 GHz.



ENVIRONMENTAL RATINGS:

- TEMPERATURE:..... -55°C TO +85°C (OPERATING)
-65°C TO +117°C (STORAGE)
- HUMIDITY:..... MIL-STD-202, METHOD 103B COND. B
- SHOCK:..... MIL-STD-202, METHOD 213B COND. B
- ALTITUDE:..... MIL-STD-202, METHOD 105C COND. B
- TEMPERATURE CYCLE:..... MIL-STD-202, METHOD 107D COND. A

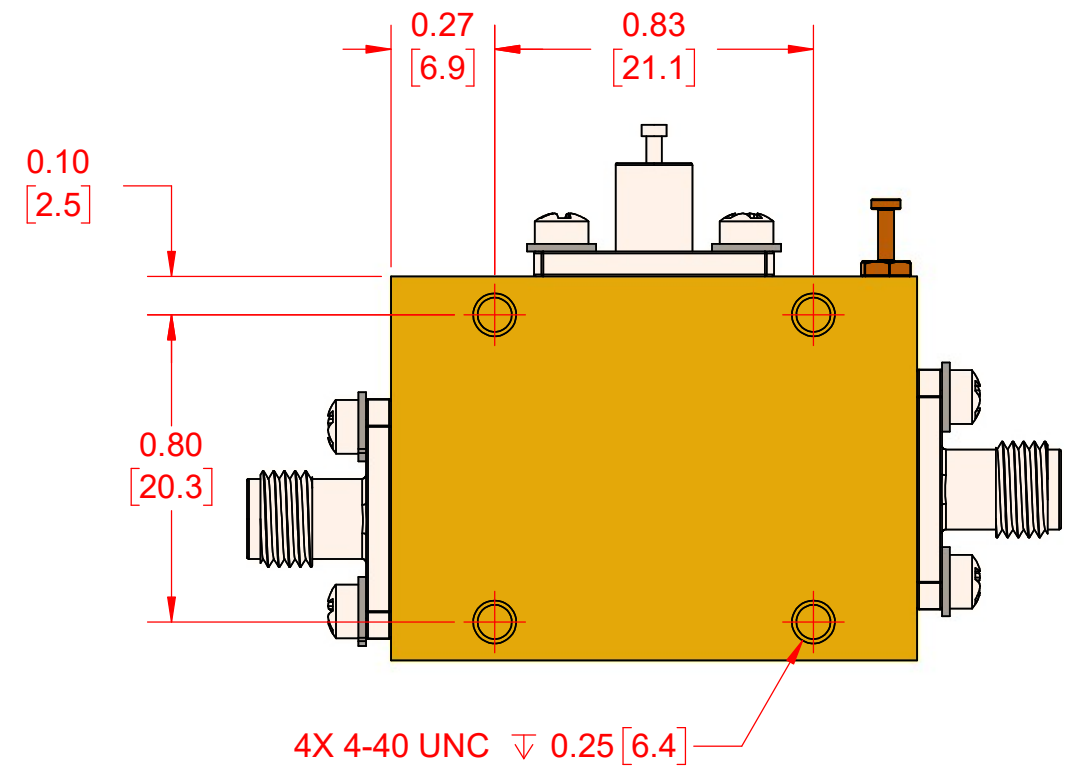
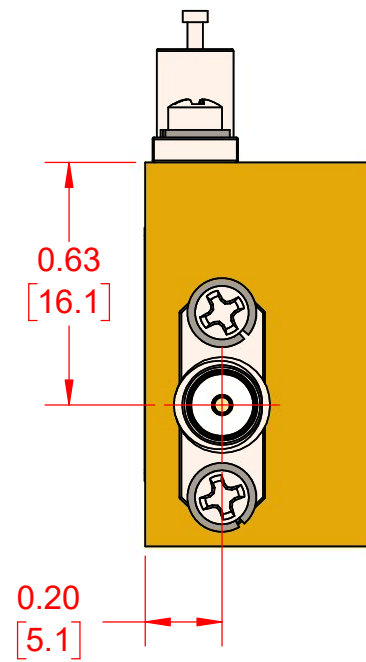
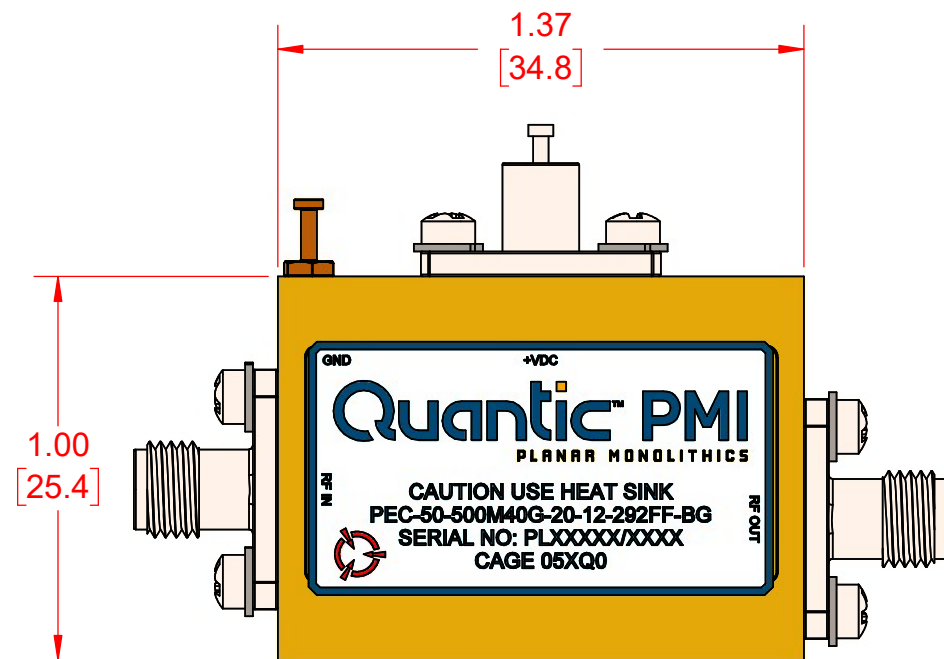
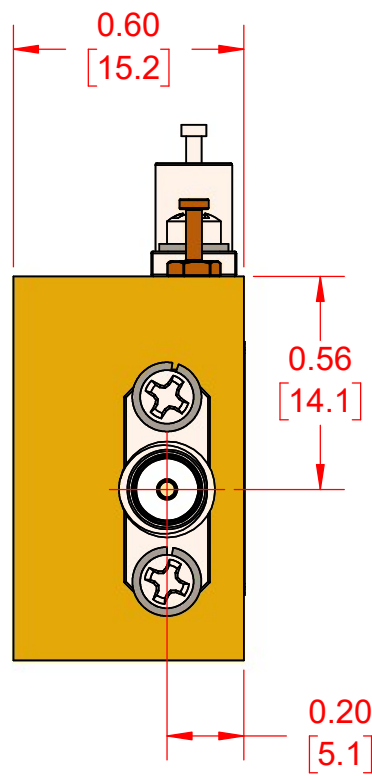
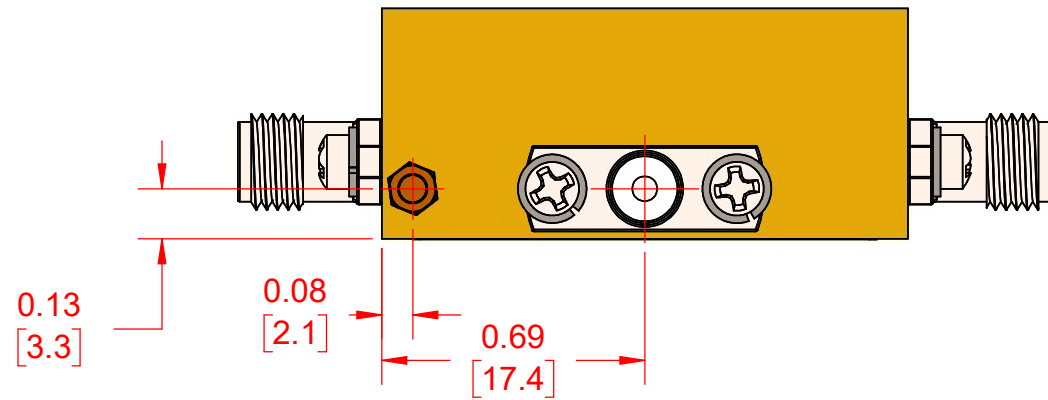
PMI CONFIDENTIAL AND PROPRIETARY

NOTE: SPECIFICATIONS WILL VARY OVER TEMPERATURE
NOTE: THE ABOVE SPECIFICATIONS ARE SUBJECT TO CHANGE OR REVISION

UNLESS OTHERWISE SPECIFIED DIMENSIONS ARE IN INCHES TOLERANCES ARE: FRACTIONS DECIMALS ANGLES ± .XX ± 0.02 ± .XXX ± 0.01		APPROVALS DATE DRAWN 5/2/2025 R. SIRK REDRAWN		TITLE OUTLINE PEC-50-500M40G-20-12-292FF-BG	
		ISSUED		SIZE FSCM NO. DWG NO. REV. B 05XQ0 27040665 B3	
SCALE 3:1			SHEET 1 OF 2		

Quantic PMI
PLANAR MONOLITHICS

7309-A GROVE ROAD FREDERICK MARYLAND 21704 USA
 TEL: (301) 662-5019, FAX: (301) 662-1731
 WEB: WWW.QUANTICPMI.COM, EMAIL: SALES@QUANTICPMI.COM
 ISO 9001 CERTIFIED



PMI CONFIDENTIAL AND PROPRIETARY

Quantic PMI
PLANAR MONOLITHICS

7309-A GROVE ROAD FREDERICK MARYLAND 21704 USA
TEL: (301) 662-5019, FAX: (301) 662-1731
WEB: WWW.PMI-RF.COM, EMAIL: SALES@PMI-RF.COM
ISO 9001 CERTIFIED

TITLE				OUTLINE	
PEC-50-500M40G-20-12-292FF-BG				REV. B3	
SIZE	FSCM NO.	DWG NO.			
B	05XQ0	27040665			
SCALE 2:1			SHEET 2 OF 2		