

DESCRIPTION:

PMI MODEL NUMBER: LM-10M40G-15DBM-4W-AGAL IS AN PASSIVE LIMITER THAT OFFERS A MINIMAL INSERTION LOSS, WHICH OPERATES OVER THE 10MHz TO 40.0 GHz FREQUENCY RANGE. THIS MODEL IS CAPABLE OF HANDLING AN INPUT POWER OF 5 WATTS CW (20 MHz - 12 GHz), 4 WATTS (18 GHz) 25 WATT PULSE PEAK (20 MHz - 12 GHz) AND 20 WATTS (18 GHz) WITH 1 μs PW, 1% DUTY CYCLE. THIS LIMITER USES 2.92mm FEMALE CONNECTORS.

SPECIFICATIONS:

- FREQUENCY RANGE: 10 MHz TO 40.0 GHz
- POWER HANDLING: 5 WATTS CW MAX (20MHz TO 12 GHz) *See Note 1
4 WATTS CW MAX (18GHz)
- PEAK INPUT POWER: 25 WATTS PEAK MAX (20 MHz TO 12 GHz) *See Note 2
20 WATTS PEAK MAX (18GHz)
(1μs Pw, 1% Duty Cycle)
- RECOVERY TIME: 100ns MAX
- INSERTION LOSS @ -10 dBm INPUT POWER: 10 MHz TO 8 GHz = 1.00 dB MAX
8 TO 18 GHz = 1.50 dB MAX
18 TO 40 GHz = 3.20 dB MAX
- VSWR (INPUT/OUTPUT) @ -10 dBm INPUT POWER: - 2.0:1 MAX
- FLAT LEAKAGE POWER: 20 MHz TO 1 GHz = +22 dBm MAX
1 GHz TO 4 GHz = +20 dBm MAX
4 GHz TO 8 GHz = +18 dBm MAX
8 GHz TO 12 GHz = +15 dBm MAX
12 GHz TO 18 GHz = +13 dBm MAX
20 GHz TO 28 GHz = +13 dBm MAX
28 GHz TO 32 GHz = +12 dBm MAX
32 GHz TO 40 GHz = +12 dBm MAX
- P1dB: +7 dBm MIN
- CONNECTORS: 2.92mm REMOVABLE FEMALE CONNECTORS
- FINISH: GOLD PLATED

*Note 1: 5 Watts from 20 MHz to 12GHz. 4 Watts at 18 GHz, +20 dBm to 40 GHz

(Theoretically it can handle 4 watts typical up to 40 GHz)

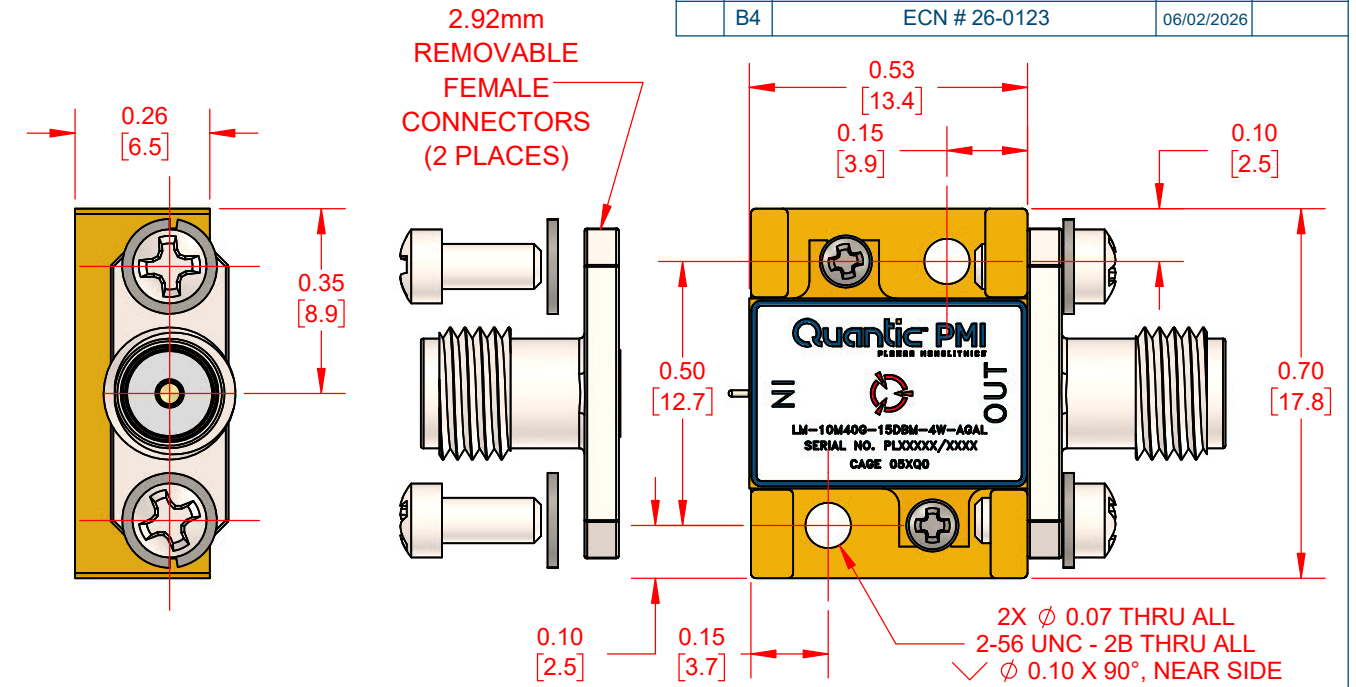
*Note 2: No Peak Power testing was performed beyond 18GHz, Theoretically the limiter should handle 20 watts typically 1 us PW, 1% duty Cycle for frequency range 18 GHz to 40 GHz

ENVIRONMENTAL RATINGS:

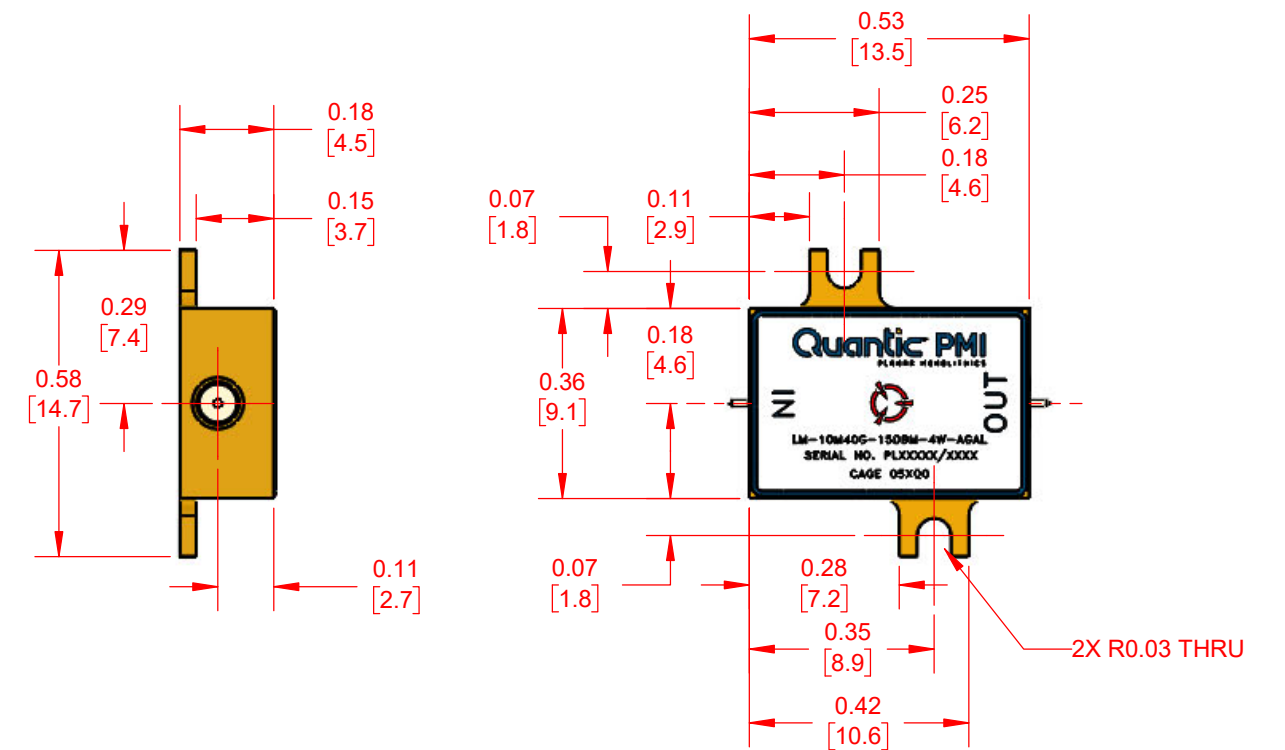
- TEMPERATURE: -55°C TO +85°C (OPERATING)
-65°C TO +125°C (STORAGE)
- HUMIDITY: MIL-STD-202, METHOD 103 COND. B
- SHOCK: MIL-STD-202, METHOD 213 COND. B
- ALTITUDE: MIL-STD-202, METHOD 105 COND. B
- TEMPERATURE CYCLE: MIL-STD-202, METHOD 107 COND. A

NOTE: SPECIFICATIONS WILL VARY OVER TEMPERATURE
NOTE: THE ABOVE SPECIFICATIONS ARE SUBJECT TO CHANGE OR REVISION

ZONE	REV.	DESCRIPTION	DATE	APPROVED
	A1	ORIGINAL RELEASE	02/26/2021	
	B3	ECN # 23-0168	09/01/2023	
	B4	ECN # 26-0123	06/02/2026	



HOUSING WITHOUT CARRIER (SURFACE MOUNT)



PMI CONFIDENTIAL AND PROPRIETARY

APPROVALS DRAWN: ALC REDRAWN: ISSUED:		DATE 02/26/2021	TITLE OUTLINE LM-10M40G-15DBM-4W-AGAL		REV. B4
UNLESS OTHERWISE SPECIFIED DIMENSIONS ARE IN INCHES TOLERANCES ARE: FRACTIONS DECIMALS ANGLES ± .XX ± 0.02 ± .XXX ± 0.01		SIZE B	FSCM NO. 05XQ0	DWG NO. 27040800	SCALE N/A
			Quantic PMI PLANAR MONOLITHICS 7309-A GROVE ROAD FREDERICK MARYLAND 21704 USA TEL: (301) 662-5019, FAX: (301) 662-1731 WEB: WWW.QUANTICPMI.COM, EMAIL: SALES@QUANTICPMI.COM ISO 9001 CERTIFIED		SHEET 1 OF 1