

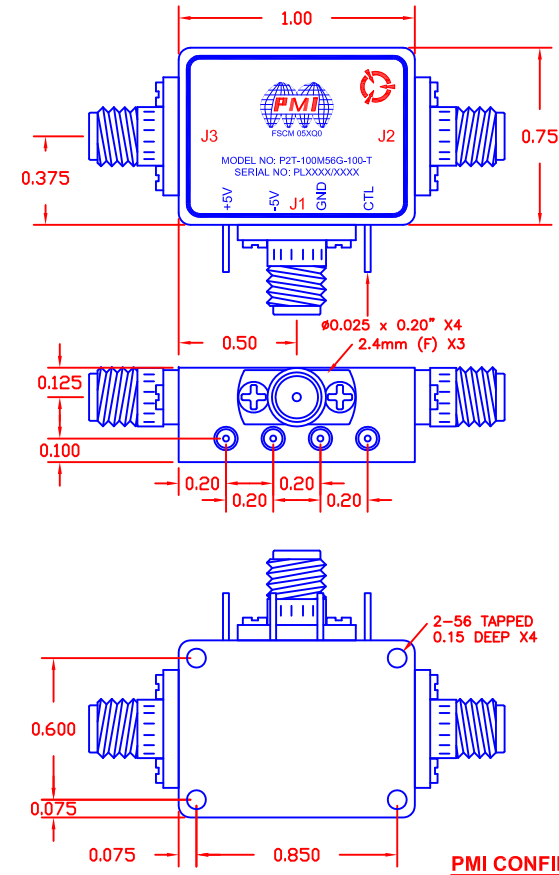
DESCRIPTION

PMI MODEL P2T-100M56G-100-T IS AN ABSORPTIVE, SINGLE POLE TWO THROW PIN DIODE SWITCH THAT OPERATES OVER THE 100 MHz TO 56 GHz FREQUENCY RANGE. IT FEATURES LOW INSERTION LOSS AND HIGH ISOLATION IN A SLIMLINE PACKAGE. THIS MODEL ALSO INCORPORATES A TTL COMPATIBLE DRIVER FOR EASE OF SYSTEM INTEGRATION.

SPECIFICATIONS

- FREQUENCY: 0.1 TO 56 GHz
- INSERTION LOSS: 5.0 dB (0.1 TO 18 GHz) MAX
6.0 dB (18 TO 40 GHz) MAX
9.0 dB (40 TO 52 GHz) MAX
14.0 dB (52 TO 56 GHz) MAX
- VSWR: 2.2:1 (0.1 TO 18GHz) TYP
2.5:1 (18 TO 40 GHz) TYP
3.0:1 (40 TO 52 GHz) TYP
3.0:1 (52 TO 56 GHz) TYP
- ISOLATION: 70 dB (0.1 TO 1 GHz) TYP
100 dB (1 TO 18 GHz) TYP
100 dB (18 TO 40 GHz) TYP
80 dB (40 TO 52 GHz) TYP
80 dB (52 TO 56 GHz) TYP
- INPUT POWER: 20 dBm CW MAX
- VIDEO TRANSIENTS: 800 mV TYP
- AMPLITUDE BALANCE: 0.5 dB (100 MHz TO 18 GHz) MAX
0.8 dB (18 TO 40 GHz) MAX
1.3 dB (40 TO 52 GHz) MAX
1.3 dB (52 TO 56 GHz) MAX
- PHASE BALANCE: 5° (100 MHz TO 18 GHz) MAX
10° (18 TO 40 GHz) MAX
10° (40 TO 52 GHz) MAX
15° (52 TO 56 GHz) MAX
- SWITCHING SPEED: 50 ns MAX
- CONTROL SIGNAL: TTL LOGIC "0" = J1-J2 ON
TTL LOGIC "1" = J1-J3 ON
- DC VOLTAGE: +5 V @ 100 mA MAX
-5 V @ 100 mA MAX
- RF CONNECTORS: 2.4 mm FEMALE
- SIZE: 1.0" X 0.75" X 0.4"
- FINISH: GOLD PLATED

REVISIONS				
ZONE	REV.	DESCRIPTION	DATE	APPROVED
	A1	ORIGINAL RELEASE	05/16/22	
	A2	ECN # 23-0200	10/24/23	



PMI CONFIDENTIAL AND PROPRIETARY

PLANAR MONOLITHICS INDUSTRIES, INC.
 7311-F GROVE ROAD
 FREDERICK, MARYLAND 21704 USA
 TEL: (301)-662-5019, FAX: (301)-662-1731
 WEB: www.pmi-rf.com, EMAIL: sales@pmi-rf.com
 ISO 9001 CERTIFIED

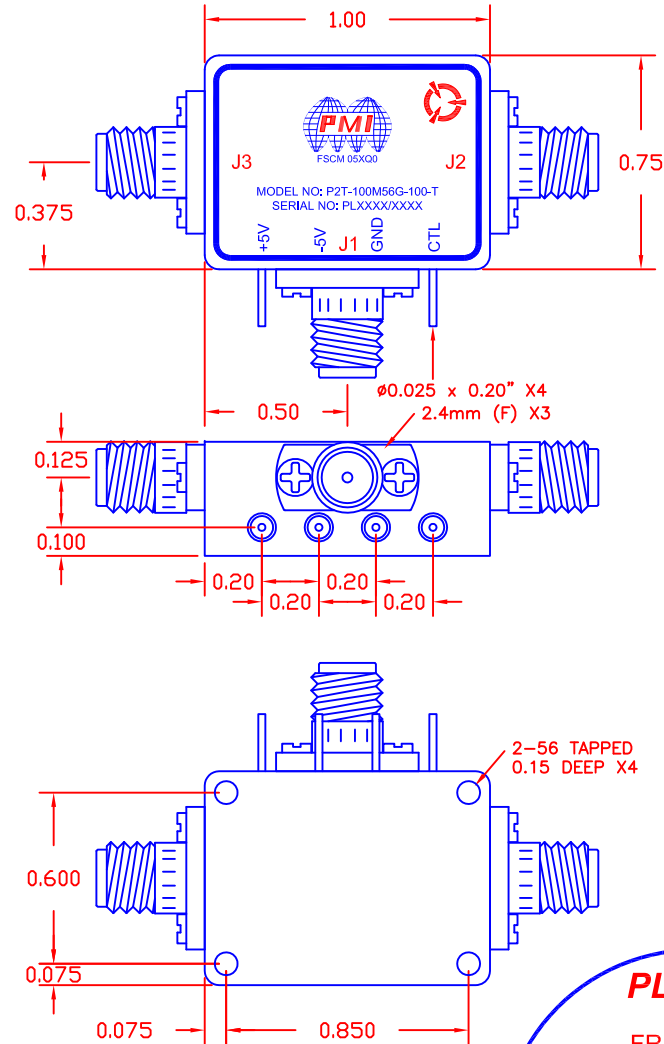


APPROVALS		DATE	TITLE			
DRAWN <i>MDL</i>		05/16/22	PRODUCT FEATURE P2T-100M56G-100-T			
CHECKED			SIZE	FSCM NO.	DWG NO.	REV.
ISSUED			A	05XQ0	27041420	A2
			SCALE	N:S		SHEET 1 OF 2

ALL DIMENSIONS ARE IN INCHES
 TOLERANCES:
 X.XX ±0.020
 X.XXX ±0.010

DESCRIPTION

PMI MODEL P2T-100M56G-100-T IS AN ABSORPTIVE, SINGLE POLE TWO THROW PIN DIODE SWITCH THAT OPERATES OVER THE 100 MHz TO 56 GHz FREQUENCY RANGE. IT FEATURES LOW INSERTION LOSS AND HIGH ISOLATION IN A SLIMLINE PACKAGE. THIS MODEL ALSO INCORPORATES A TTL COMPATIBLE DRIVER FOR EASE OF SYSTEM INTEGRATION.



PMI CONFIDENTIAL AND PROPRIETARY

ENVIRONMENTAL RATINGS

- TEMPERATURE: ————— -40 °C TO +85 °C (OPERATING)
-65 °C TO +125 °C (STORAGE)
- HUMIDITY: ————— MIL-STD-202F, METHOD 103B COND. B
- SHOCK: ————— MIL-STD-202F, METHOD 213B COND. B
- VIBRATION: ————— MIL-STD-202F, METHOD 204D COND. B
- ALTITUDE: ————— MIL-STD-202F, METHOD 105C COND. B
- TEMPERATURE CYCLE: ——— MIL-STD-202F, METHOD 107D COND. A

NOTE: SPECIFICATIONS WILL VARY OVER OPERATING TEMPERATURE

NOTE: THE ABOVE SPECIFICATIONS ARE SUBJECT TO CHANGE OR REVISION

ALL DIMENSIONS ARE IN INCHES

TOLERANCES:
X.XX ±0.020
X.XXX ±0.010

PLANAR MONOLITHICS INDUSTRIES, INC.
7311-F GROVE ROAD
FREDERICK, MARYLAND 21704 USA
TEL: (301)-662-5019, FAX: (301)-662-1731
WEB: www.pmi-rf.com, EMAIL: sales@pmi-rf.com
ISO 9001 CERTIFIED



APPROVALS		DATE	TITLE			
DRAWN <i>MDL</i>		05/16/22	MECHANICAL OUTLINE P2T-100M56G-100-T			
CHECKED			SIZE A	FSCM NO. 05XQ0	DWG NO. 27041420	REV. A2
ISSUED			SCALE N:S		SHEET 2 OF 2	