

DESCRIPTION:

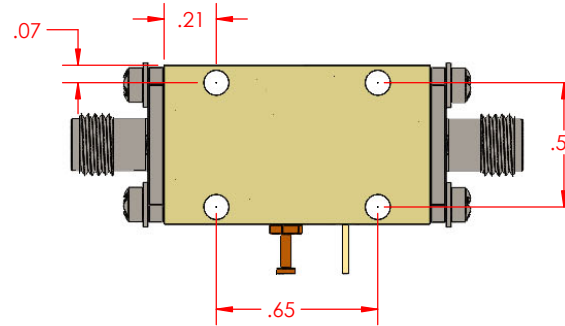
PLANAR MONOLITHICS INDUSTRIES MODEL NUMBER PEC-100M18-30-4D5-20-15-SFF IS A LIMITING AMPLIFIER COVERING THE RF RANGE OF 0.1 TO 18 GHz.

ZONE	REV.	DESCRIPTION	DATE	APPROVED
	A1	ORIGINAL RELEASE	10/18/2021	
	A2	ECN # 21-0212	12/16/21	

SPECIFICATIONS AT 23 °C:

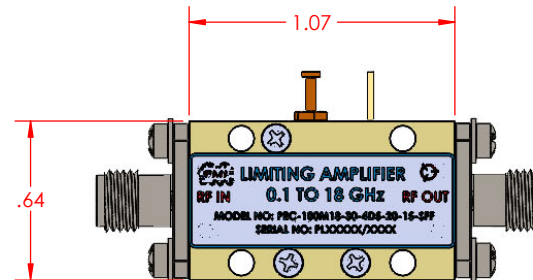
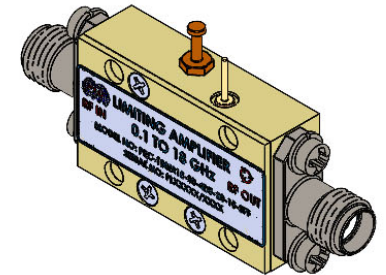
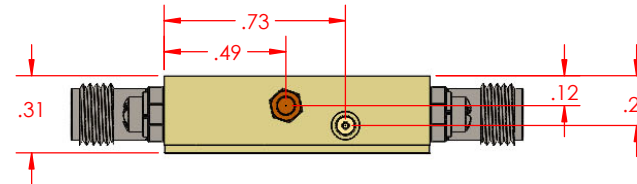
- FREQUENCY:.....0.1 TO 18 GHz
- GAIN:..... 30 dB MIN.
- GAIN FLATNESS:..... 2 dB+/- MAX
- NOISE FIGURE:..... 4.5 dB MAX(not guaranteed below 700 MHz)
- VSWR IN:.....2.4:1 MAX
- VSWR OUT:.....2.3:1 MAX
- P1dB OUT:..... +20 dBm MIN

- POWER SUPPLY:..... +15V @ 450 mA TYP.
- FINISH:..... GOLD PLATED



ENVIRONMENTAL RATINGS:

- OPERATING TEMPERATURE:.....-55 TO 85 °C



PMI CONFIDENTIAL AND PROPRIETARY

PLANAR MONOLITHICS INDUSTRIES, INC.
 7311-F GROVE ROAD
 FREDERICK, MARYLAND 21704 USA
 TEL: (301) 462-5019, FAX: (301) 462-1731
 WEB: www.pmi-rf.com, EMAIL: sales@pmi-rf.com
 ISO 9001 CERTIFIED

APPROVALS		DATE	TITLE			
DRAWN E. PLASKET		10/18/2021	Outline			
REDRAWN			PEC-100M18-30-4D5-20-15-SFF			
ISSUED			SIZE B	FSCM NO. 05XQ0	DWG NO. 27042520	REV. A2
UNLESS OTHERWISE SPECIFIED DIMENSIONS ARE IN INCHES TOLERANCES ARE: FRACTIONS DECIMALS ANGLES ± .005 ± 0.02 ±			SCALE 2:1		SHEET 1 OF 1	