

DESCRIPTION:

PLANAR MONOLITHICS INDUSTRIES MODEL NUMBER P2T-218-60-515-R-SFF IS A SINGLE POLE, TWO THROW, REFLECTIVE SWITCH OPERATING OVER THE FREQUENCY RANGE OF 2.0 TO 18.0 GHz. IT HAS A MINIMUM ISOLATION OF 60 dB AND A MAXIMUM INSERTION LOSS OF 1.8 dB. THIS MODEL IS OUTFITTED WITH SMA FEMALE CONNECTORS.

SPECIFICATIONS:

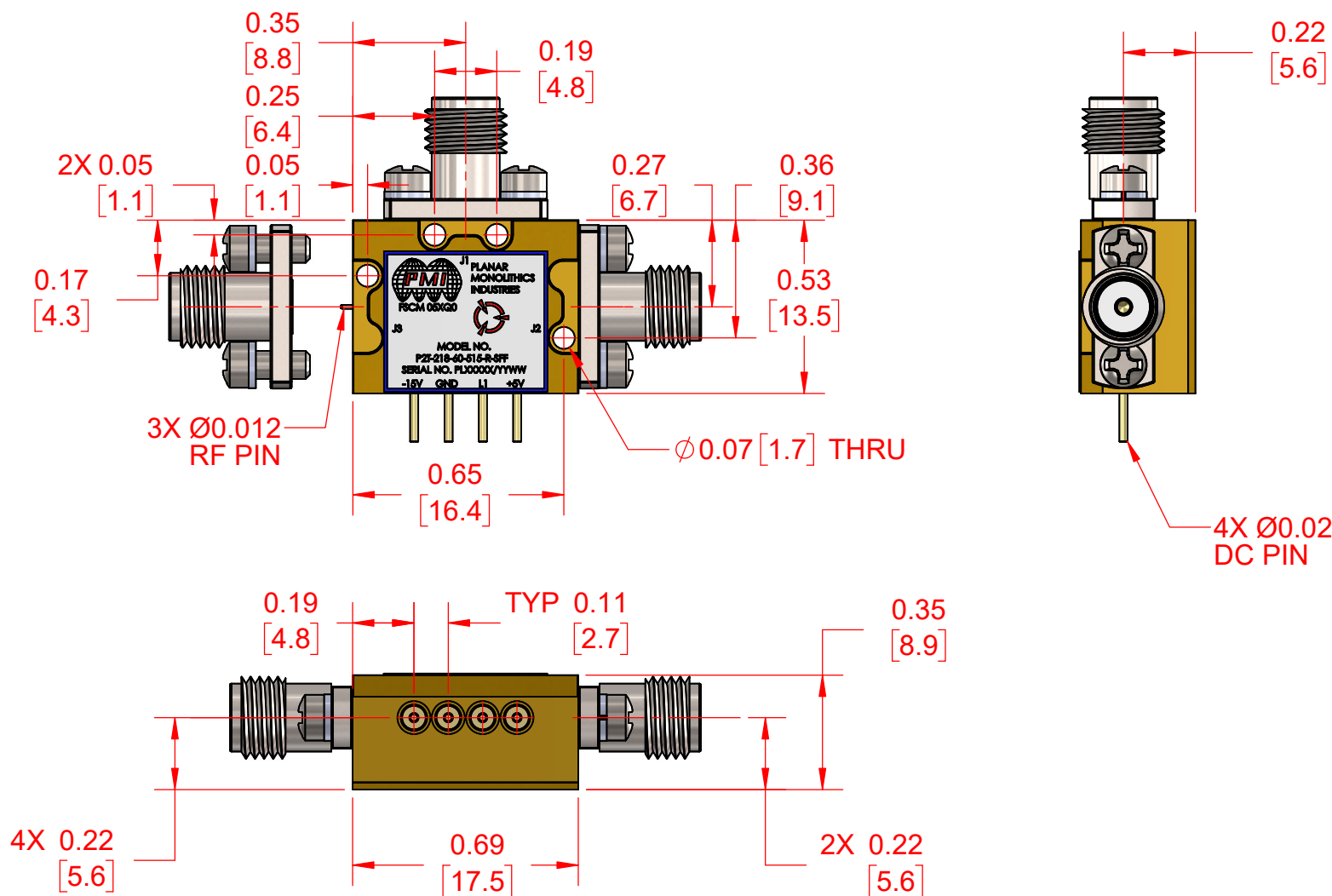
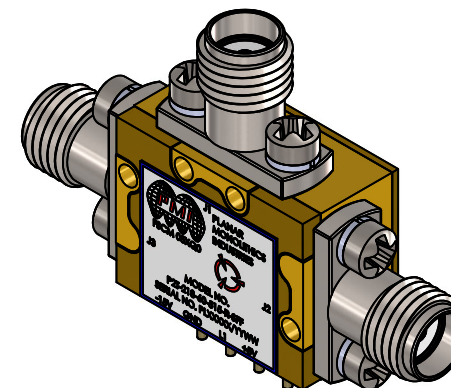
- FREQUENCY RANGE:..... 2.0 TO 18.0 GHz
- INTERFACE:..... TTL (SEE TRUTH TABLE)
- ISOLATION:..... 60 dB MIN
- INSERTION LOSS:..... 1.8 dB MAX
- SWITCHING SPEED:..... 30 ns MAX
- VSWR:..... 1.9:1 MAX
- IMPEDANCE:..... 50 OHMS
- RF INPUT POWER:..... 1W CW / 2W PEAK MAX
- SUPPLY VOLTAGES :..... +5V @ 65 mA max, -15V @ 65 mA MAX
- CONNECTORS:..... SMA MALE (FIELD REPLACABLE)
- FINISH:..... GOLD PLATED

ENVIRONMENTAL RATINGS:

- TEMPERATURE:..... -54°C TO +95°C (OPERATING)
-57°C TO +125°C (STORAGE)
- VIBRATION:..... RANDOM: 20-500 Hz
SPECTRAL DENSITY: 0.01g²/Hz
RMS: 6.8g
- MECHANICAL SHOCK:..... PEAK: 100g
DURATION: 4 ms, HALFSINE
- HUMIDITY:..... 90%
- PRESSURE:..... OPERATION: 0.6-1.4 BAR
STORAGE: 0.3-1.4 BAR
VARIATION: ±0.5 BAR
- CORROSION:..... RESISTANT AGAINST SEAWATER
- MTBF:..... 200,000 h
- EMC:..... NO RADIATION

NOTE: THE ABOVE SPECIFICATIONS ARE SUBJECT TO CHANGE OR REVISION SPECIFICATIONS WILL VARY OVER OPERATING TEMPERATURE

ZONE	REV.	DESCRIPTION	DATE	APPROVED
	A1	ORIGINAL RELEASE	1/11/2022	
	B1	ECN # 22-0049	4/20/2022	
	B2	ECN # 23-0005	1/5/2023	



TRUTH TABLE	
L1	OUTPUT
"1"	J1-J2
"0"	J1-J3

PMI CONFIDENTIAL AND PROPRIETARY

APPROVALS DRAWN M. HANKEN REDRAWN ISSUED		DATE 1/19/2022	TITLE OUTLINE P2T-218-60-515-R-SFF	
UNLESS OTHERWISE SPECIFIED DIMENSIONS ARE IN INCHES TOLERANCES ARE: FRACTIONS .XX ± 0.02 ANGLES ± ± .XXX ± 0.01	SIZE B	FSCM NO. 05XQ0	DWG NO. 27043300	REV. B2
SCALE 2:1			SHEET 1 OF 1	

PLANAR MONOLITHICS INDUSTRIES, INC.
 7311-F GROVE ROAD
 FREDERICK, MARYLAND 21704 USA
 TEL: (301)-862-5019, FAX: (301)-662-1731
 WEB: www.pmi-rf.com, EMAIL: sales@pmi-rf.com
 ISO 9001 CERTIFIED