

DESCRIPTION

PMI MODEL P2T-100M50G-100-T-OPT40 IS AN ABSORPTIVE, SINGLE POLE TWO THROW PIN DIODE SWITCH THAT OPERATES OVER THE 0.1 GHz TO 40 GHz FREQUENCY RANGE. IT FEATURES LOW INSERTION LOSS AND HIGH ISOLATION IN A SLIMLINE PACKAGE. THIS MODEL ALSO INCORPORATES A TTL COMPATIBLE DRIVER FOR EASE OF SYSTEM INTEGRATION.

SPECIFICATIONS

- FREQUENCY: 0.1 TO 40 GHz
- INSERTION LOSS: 4.5 dB (0.1 TO 18 GHz) MAX
6.0 dB (18 TO 40 GHz) MAX
- VSWR: 2.2:1 (0.1 TO 18GHz) MAX
2.5:1 (18 TO 40 GHz) MAX
- ISOLATION: 85 dB (0.1 TO 18 GHz) MIN
80 dB (18 TO 40 GHz) MIN
- INPUT POWER: 20 dBm CW MAX
- SWITCHING SPEED: 50 ns MAX
- CONTROL SIGNAL: TTL LOGIC "0" = J1-J2 ON
TTL LOGIC "1" = J1-J3 ON
- DC VOLTAGE: +5 V @ 100 mA MAX
-5 V @ 100 mA MAX
- RF CONNECTORS: 2.92 mm FEMALE
- SIZE: 1.0" X 0.75" X 0.4"
- FINISH: GOLD PLATED

ENVIRONMENTAL RATINGS

- TEMPERATURE: -40 °C TO +85 °C (OPERATING)
-65 °C TO +125 °C (STORAGE)
- HUMIDITY: MIL-STD-202F, METHOD 103B COND. B
- SHOCK: MIL-STD-202F, METHOD 213B COND. B
- VIBRATION: MIL-STD-202F, METHOD 204D COND. B
- ALTITUDE: MIL-STD-202F, METHOD 105C COND. B
- TEMPERATURE CYCLE: MIL-STD-202F, METHOD 107D COND. A

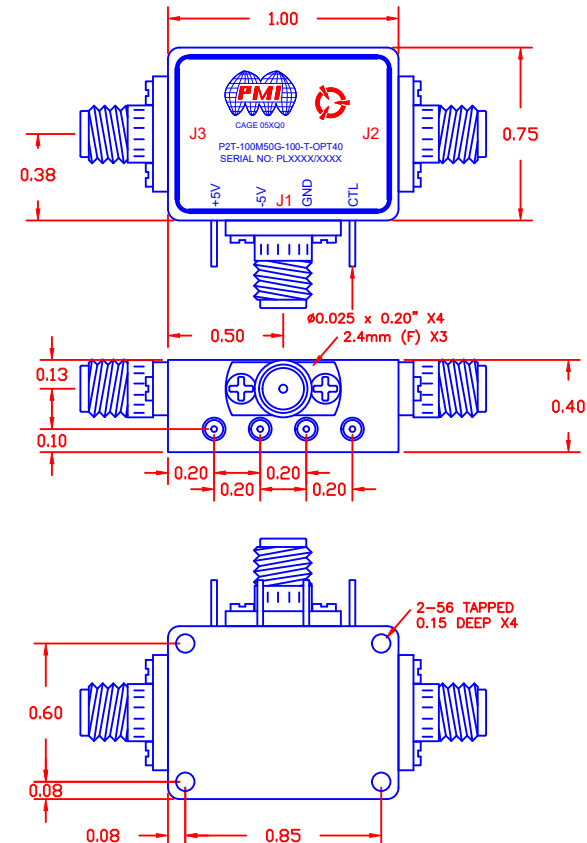
NOTE: SPECIFICATIONS WILL VARY OVER OPERATING TEMPERATURE
NOTE: THE ABOVE SPECIFICATIONS ARE SUBJECT TO CHANGE OR REVISION

ALL DIMENSIONS ARE IN INCHES
TOLERANCES:
X.XX ±0.020
X.XXX ±0.010

PMI CONFIDENTIAL AND PROPRIETARY

REVISIONS				
ZONE	REV.	DESCRIPTION	DATE	APPROVED
	A1	ORIGINAL RELEASE	2/10/22	

MECHANICAL OUTLINE



PLANAR MONOLITHICS INDUSTRIES, INC.
7311-F GROVE ROAD
FREDERICK, MARYLAND 21704 USA
TEL: (301)-662-5019, FAX: (301)-662-1731
WEB: www.pmi-rf.com, EMAIL: sales@pmi-rf.com
ISO 9001 CERTIFIED



APPROVALS		DATE	TITLE		
DRAWN SPH		11/3/21	OUTLINE P2T-100M50G-100-T-OPT40		
CHECKED			SIZE A	FSCM NO. 05XQ0	DWG NO. 27043320
ISSUED			SCALE N:S		SHEET 1 OF 1
					REV. A1