

DESCRIPTION:

PMI MODEL NUMBER PA-8G12G-43-5-40-SFF IS A HIGH POWER AMPLIFIER WITH AN OPERATING FREQUENCY OF 8 TO 12 GHz, 43 dB GAIN AND SATURATED OUTPUT POWER OF 40 dBm.

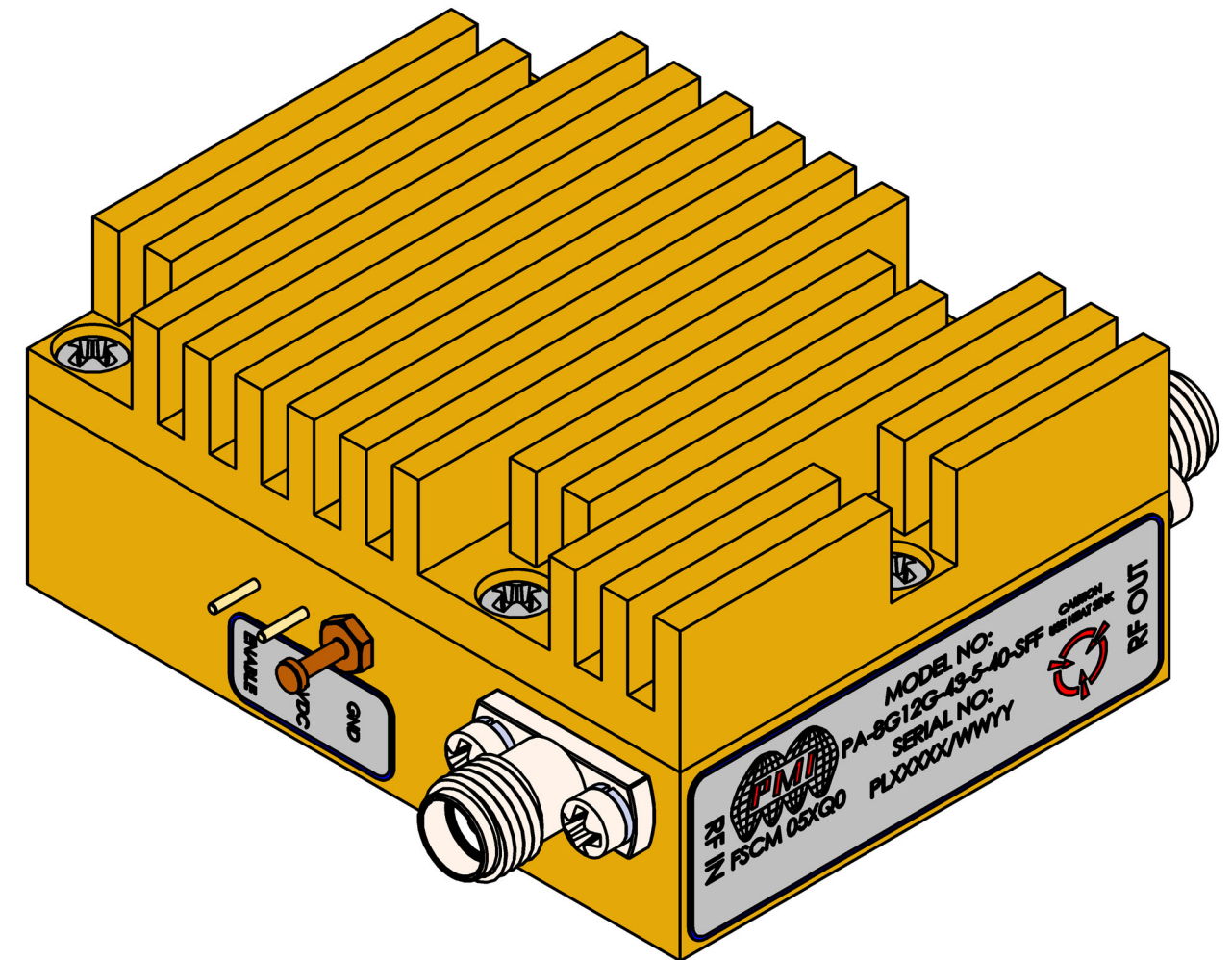
ZONE	REV.	DESCRIPTION	DATE	APPROVED
	A1	ORIGINAL RELEASE	4/19/2022	
	B1	ECN # 22-0116	9/15/2022	
	B2	ECN # 23-0178	9/27/2023	

SPECIFICATIONS:

- FREQUENCY RANGE:..... 8.0 TO 12.0 GHz
- GAIN:..... 43 dB TYP
40 dB MIN
- VSWR (INPUT/OUTPUT):..... 2.0 : 1 MAX
- NOISE FIGURE:..... 5.0 dB MAX
- PSAT:..... 40 dBm (10W) TYP
37 dBm MIN
- INPUT POWER:..... 20 dBm MAX
- SUPPLY*:..... +22 VDC MAX
- POWER AMP CONTROL (ENABLE):..... "1" = +3V ON
"0" = 0 V OFF
- WEIGHT:..... 2.0 oz MAX (WITHOUT HEATSINK)
- CONNECTORS:..... SMA FEMALE REMOVEABLE
- FINISH:..... GOLD PLATED
- OPTION:..... HEATSINK WITH 120VAC FAN:
PA-8G12G-43-5-40-SFF-HS

Typical Current	
Quiescent current and maximum current	
-40°C	
-30 dBm Input Power	1,860 mA
+20 dBm Input Power	2,550 mA
+25°C	
-30 dBm Input Power	2,150 mA
+20 dBm Input Power	3,200 mA
+85°C	
-30 dBm Input Power	2,400 mA
+20 dBm Input Power	3,300 mA

*LOWER VOLTAGE WILL RESULT IN LOWER PSAT. GAIN WILL STAY CONSTANT DOWN TO +20 VDC.



ENVIRONMENTAL RATINGS:

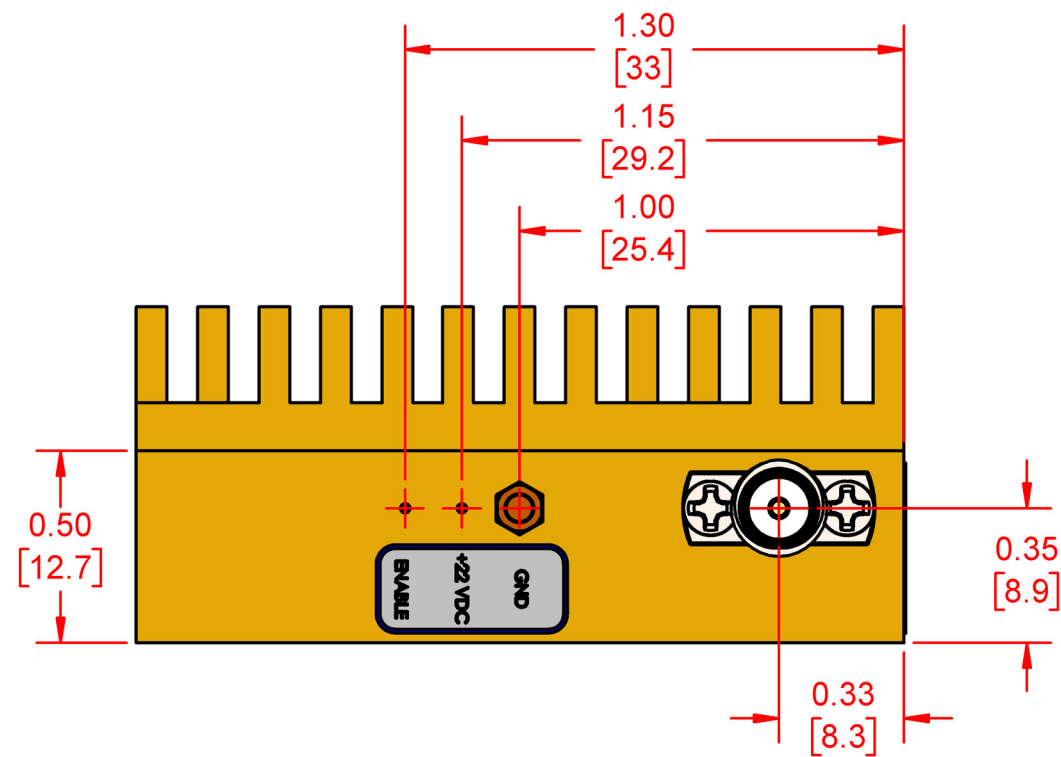
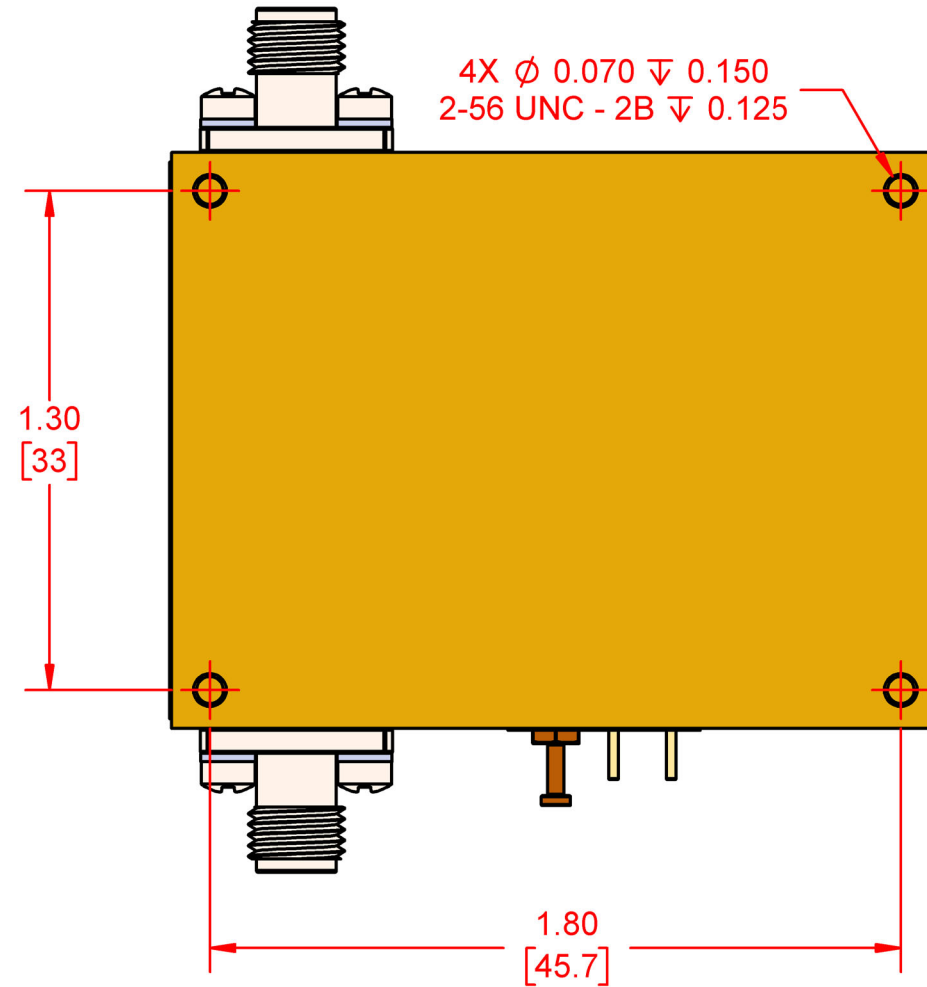
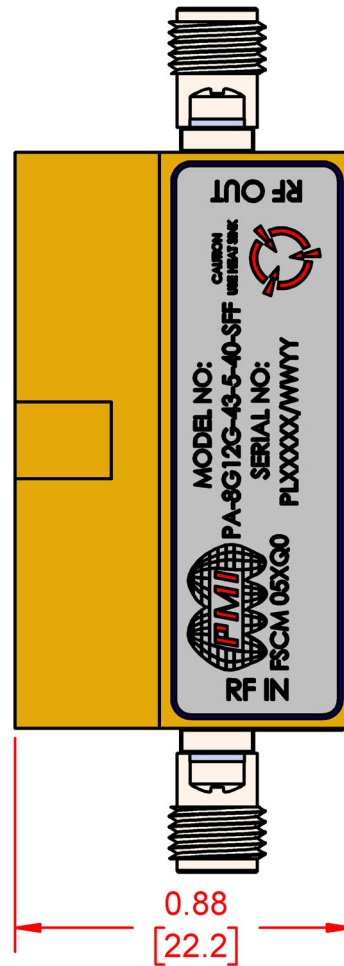
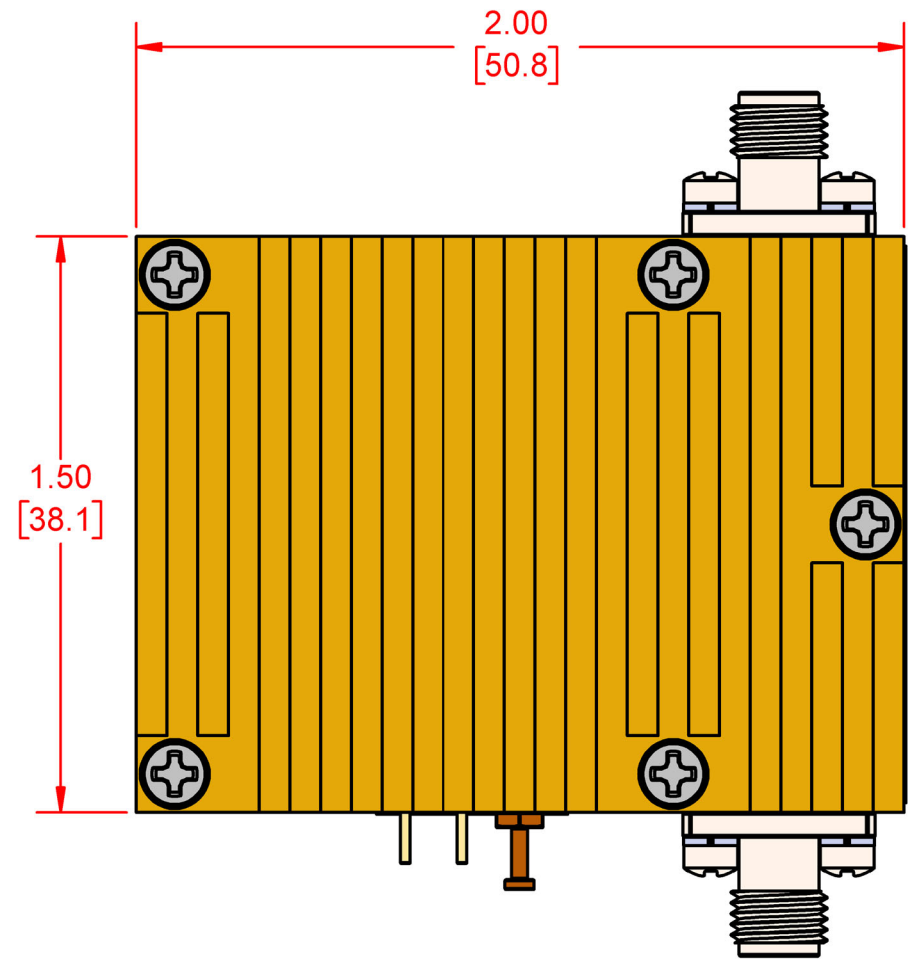
- TEMPERATURE:..... -40°C TO +85°C (OPERATING)
-55°C TO +125°C (STORAGE)
- HUMIDITY:..... MIL-STD-202, METHOD 103B COND. B
- SHOCK:..... MIL-STD-202, METHOD 213B COND. B
- VIBRATION:..... MIL-STD-202, METHOD 204D COND. B
- ALTITUDE:..... MIL-STD-202, METHOD 105C COND. B
- TEMPERATURE CYCLE:..... MIL-STD-202, METHOD 107D COND. A

NOTE: SPECIFICATIONS WILL VARY OVER TEMPERATURE
NOTE: THE ABOVE SPECIFICATIONS ARE SUBJECT TO CHANGE OR REVISION

PMI CONFIDENTIAL AND PROPRIETARY

APPROVALS DRAWN R. SIRK REDRAWN ISSUED		DATE		TITLE OUTLINE PA-8G12G-43-5-40-SFF	
		4/19/2022			
UNLESS OTHERWISE SPECIFIED DIMENSIONS ARE IN INCHES TOLERANCES ARE: FRACTIONS DECIMALS ANGLES ± .XX ± 0.02 ± .XXX ± 0.01		SIZE	FSCM NO.	DWG NO.	REV.
		B	05XQ0	27044200	B2
		SCALE 3:2			SHEET 1 OF 2

PLANAR MONOLITHICS INDUSTRIES, INC.
 7311-F GROVE ROAD
 FREDERICK, MARYLAND 21704 USA
 TEL: (301)-862-5019; FAX: (301)-862-1731
 WEB: www.pmi-rf.com, EMAIL: sales@pmi-rf.com
 ISO 9001 CERTIFIED



NOTE: SPECIFICATIONS WILL VARY OVER TEMPERATURE
 NOTE: THE ABOVE SPECIFICATIONS ARE SUBJECT TO CHANGE OR REVISION

PMI CONFIDENTIAL AND PROPRIETARY

UNLESS OTHERWISE SPECIFIED DIMENSIONS ARE IN INCHES TOLERANCES ARE: FRACTIONS DECIMALS ANGLES ± .XX ± 0.02 ± .XXX ± 0.01		APPROVALS		DATE	PLANAR MONOLITHICS INDUSTRIES, INC. 7311-F GROVE ROAD FREDERICK, MARYLAND 21704 USA TEL: (301)-862-5019; FAX: (301)-862-1731 WEB: www.pmi-rf.com, EMAIL: sales@pmi-rf.com ISO 9001 CERTIFIED			
		DRAWN R. SIRK		4/19/2022				
REDRAWN		TITLE			OUTLINE			
ISSUED		PA-8G12G-43-5-40-SFF			SIZE	FSCM NO.	DWG NO.	REV.
		B	05XQ0	27044200			B2	
		SCALE 3:2			SHEET 2 OF 2			