

**DESCRIPTION:**

PMI MODEL P2T-DC18G-10-R-5V-SFF-HIP10W IS A REFLECTIVE, SINGLE POLE, TWO THROW PIN DIODE SWITCH THAT OPERATES OVER DC TO 18.0 GHz FREQUENCY RANGE. THIS MODEL IS CAPABLE OF HANDLING AN INPUT POWER LEVEL OF 5 WATTS CW WHILE PROVIDING SWITCHING SPEEDS OF 100 ns. THIS MODEL INCORPORATES A TTL COMPATIBLE DRIVER FOR EASY SYSTEM INTEGRATION.

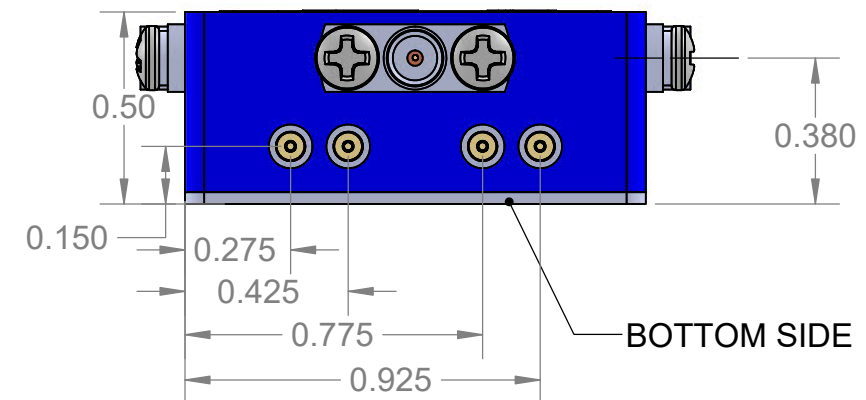
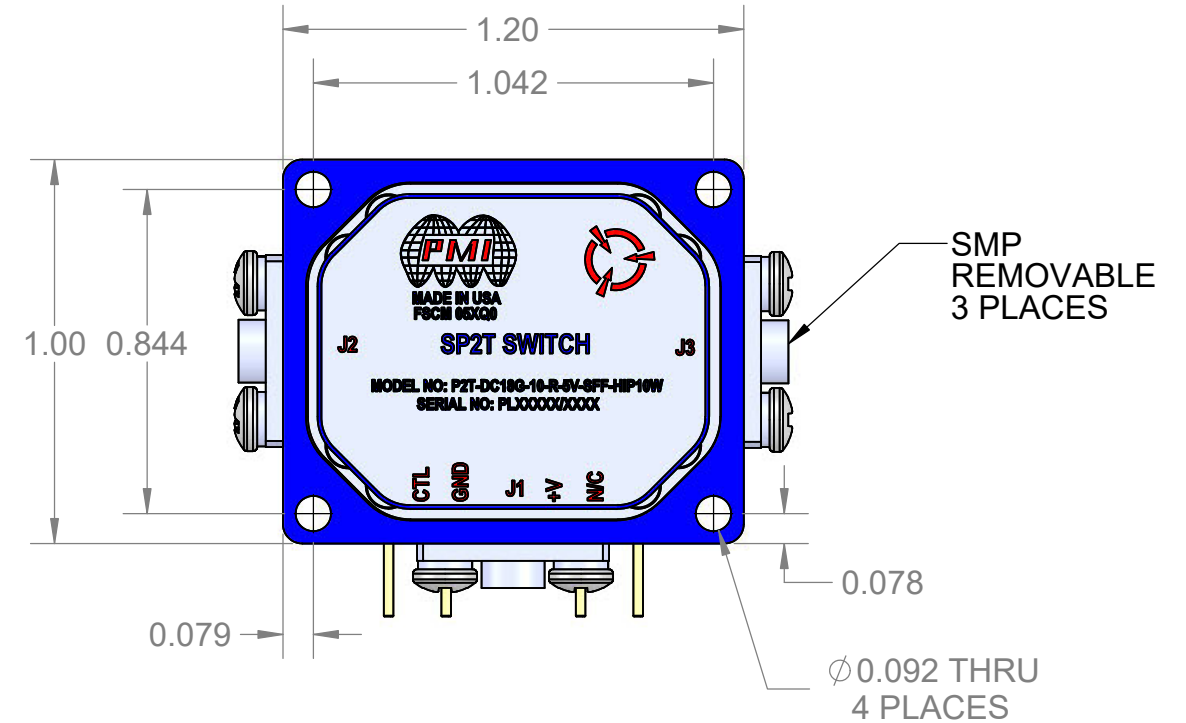
ZONE	REV.	DESCRIPTION	DATE	APPROVED
	A1	ORIGINAL RELEASE	4/7/2022	

**SPECIFICATIONS:**

- FREQUENCY RANGE:..... DC TO 18.0 GHz
- ISOLATION:..... 10 dB MIN
- INSERTION LOSS:..... 4.0 dB MAX; 3.0 dB GOAL
- VSWR (ON/OFF):..... 2.0:1
- OPERATING INPUT POWER:..... 5 WATT CW MAX  
(NOT TO BE SWITCHED ANY HIGHER THAN 50kHz [PRI])
- 1dB COMPRESSION:..... +40 dBm GOAL
- SWITCHING SPEED:..... 100 ns GOAL (AT LOW POWER)
- IMPEDANCE:..... 50 Ω
- POWER SUPPLY :..... +5 TO +12 VDC @ 50 mA MAX
- CONTROL:..... TTL LOGIC  
SEE LOGIC TABLE
- CONNECTORS:..... SMP REMOVABLE (FIELD REPLACEABLE)
- FINISH:..... PAINTED BLUE  
BOTTOM SIDE - UNPAINTED

J1-J3 port allows DC voltage to pass thru, while J2 port is DC blocked


CTL	J1 - J2	J1 - J3
0	ON	OFF
1	OFF	ON



**ENVIRONMENTAL RATINGS:**

- TEMPERATURE:..... -54°C TO +100°C (OPERATING)  
-55°C TO +125°C (STORAGE)
- SHOCK:..... MIL-STD-202, METHOD 213B COND. B
- VIBRATION:..... MIL-STD-202, METHOD 204D COND. B
- ALTITUDE:..... MIL-STD-202, METHOD 105C COND. B
- TEMPERATURE CYCLE:..... MIL-STD-202, METHOD 107

PMI CONFIDENTIAL AND PROPRIETARY

UNLESS OTHERWISE SPECIFIED DIMENSIONS ARE IN INCHES TOLERANCES ARE: FRACTIONS DECIMALS ANGLES ± .010 ± 0.020 ±		PART NO.		 <b>PLANAR MONOLITHICS INDUSTRIES, INC.</b> 7311-F GROVE ROAD FREDERICK, MARYLAND 21704 USA TEL: (301)-862-5019, FAX: (301)-662-1731 WEB: www.pmi-rf.com, EMAIL: sales@pmi-rf.com ISO 9001 CERTIFIED	
MATERIAL:		APPROVALS	DATE	TITLE	
FINISH:		DRAWN	4/7/2022	OUTLINE	
NEXT ASSY USED ON		REDRAWN		P2T-DC18G-10-R-5V-SFF-HIP10W	
APPLICATION		ISSUED		SIZE	REV.
				B	A1
				FSCM NO.	DWG NO.
				05XQ0	27044280
				SCALE 2:1	SHEET 1 OF 1