

ZONE	REV.	DESCRIPTION	DATE	APPROVED
	A1	ORIGINAL RELEASE	12/6/2022	
	B1	ECN # 25-0165	5/30/2025	

DESCRIPTION:

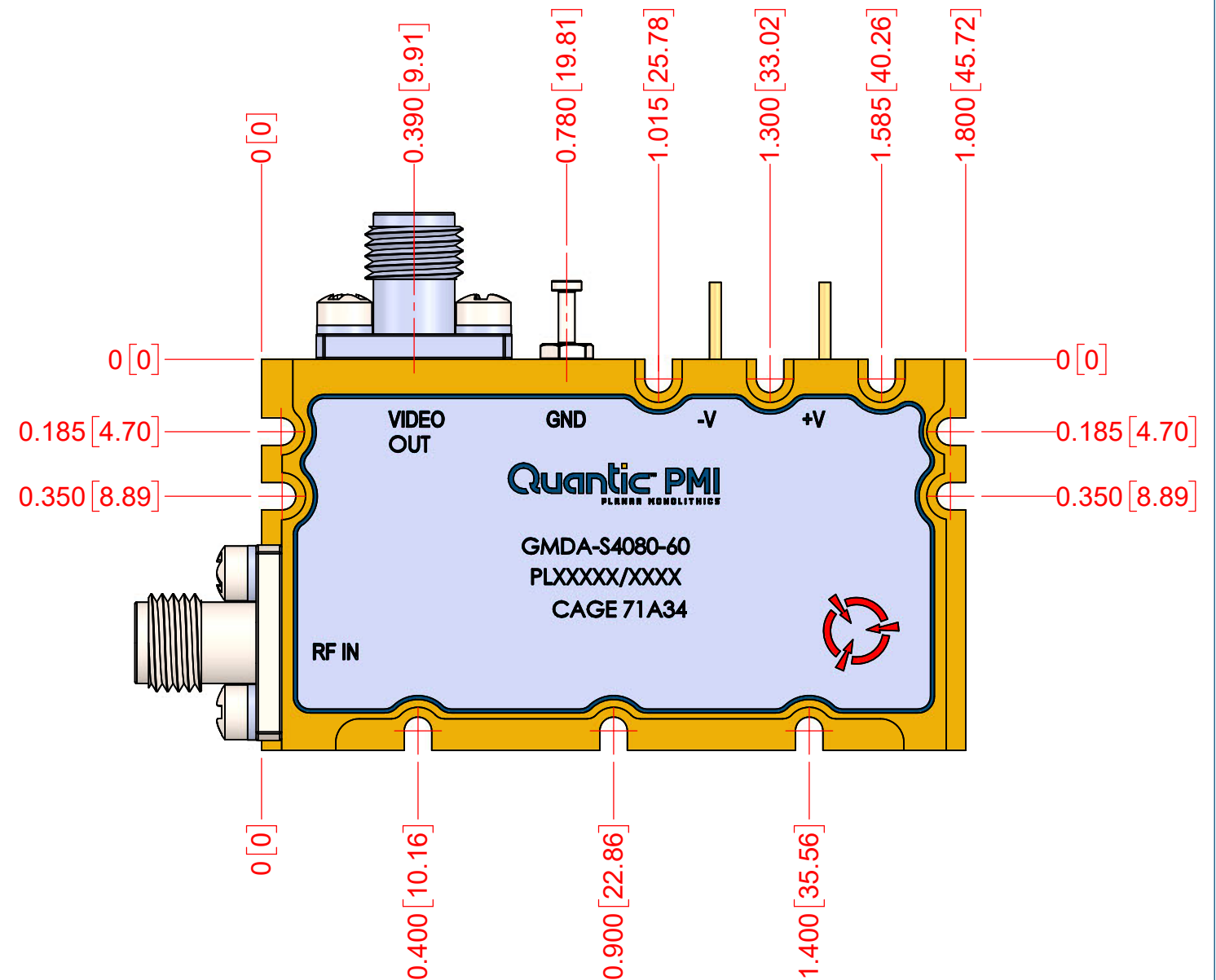
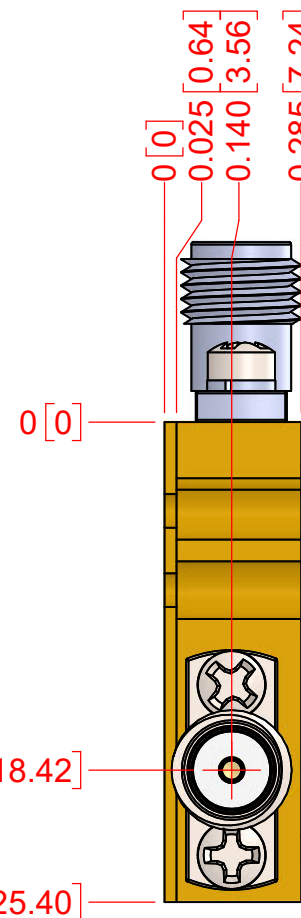
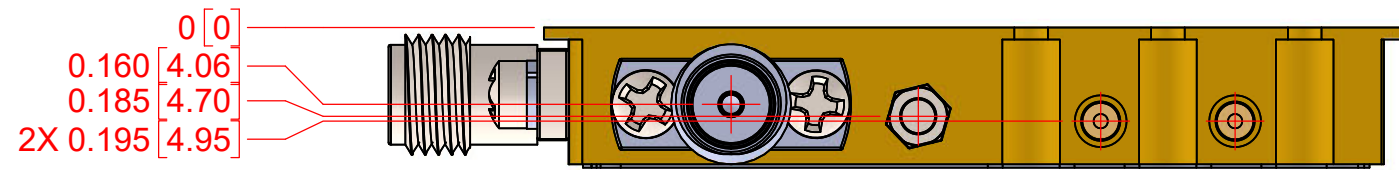
PMI MODEL NO. GMDA-S4080-60 IS A 4.0 TO 8.0 GHz SUCCESSIVE DETECTION LOG VIDEO AMPLIFIER (SDLVA) WITH A MINIMUM TSS OF -60dBm AND A NOMINAL LOG SLOPE OF 25.0 ±1.0 mV/dB.

SPECIFICATIONS:

- FREQUENCY RANGE:..... 4 GHz TO 8 GHz
- TSS:.....-60 dBm MIN
- INPUT POWER HANDLING:.....+23 dBm CW
- VIDEO LOG RANGE:.....-55 dBm TO +5 dBm
- VIDEO LOG LINEARITY:..... ±1.85 dB OVER TEMP
- VIDEO LOG SLOPE:..... 25.0 ±1.0 mV/dB NOM
- VIDEO FREQ FLATNESS:..... ±2 dB MAX
- VIDEO RISE TIME:..... 30ns MAX
- VIDEO FALL TIME :..... 80ns MAX
- RECOVERY TIME:..... 100ns MAX
- VIDEO OUTPUT LOG IMPEDANCE:..... 75Ω
- INPUT VSWR 50Ω:..... 2.0:1 MAX
- DCPOWER SUPPLY:.....+11.4 TO +15.75 @460mA MAX
-11.4 TO -15.75 @150mA MAX
- FINISH:..... GOLD PLATED PER MIL-G-45204

ENVIRONMENTAL RATINGS:

- TEMPERATURE:..... 0°C TO + 70°C (OPERATING)
-20°C TO +70°C (STORAGE)
- HUMIDITY:..... 95% (CONTINUOUS AND INTERMITTENT)
- SHOCK:..... MIL-STD-202, METHOD 213B COND. B
- VIBRATION:..... MIL-STD-202, METHOD 204D COND. B



PMI CONFIDENTIAL AND PROPRIETARY

UNLESS OTHERWISE SPECIFIED DIMENSIONS ARE IN INCHES TOLERANCES ARE: FRACTIONS DECIMALS ANGLES ± .XX ± 0.010 ± .XXX ± 0.005		PART NO.		 7309-A GROVE ROAD FREDERICK MARYLAND 21704 USA TEL: (301) 862-5019, FAX: (301) 662-1731 WEB: WWW.PMI-RF.COM, EMAIL: SALES@PMI-RF.COM ISO 9001 CERTIFIED	
MATERIAL:		APPROVALS			
FINISH:		DRAWN S AZHAR		12/6/2022	TITLE OUTLINE GMDA-S4080-60
NEXT ASSY	USED ON	ISSUED		SIZE B	FSCM NO. 05XQ0
APPLICATION				DWG NO. 27045260	REV. B1
				SCALE 2:1	SHEET 1 OF 1