

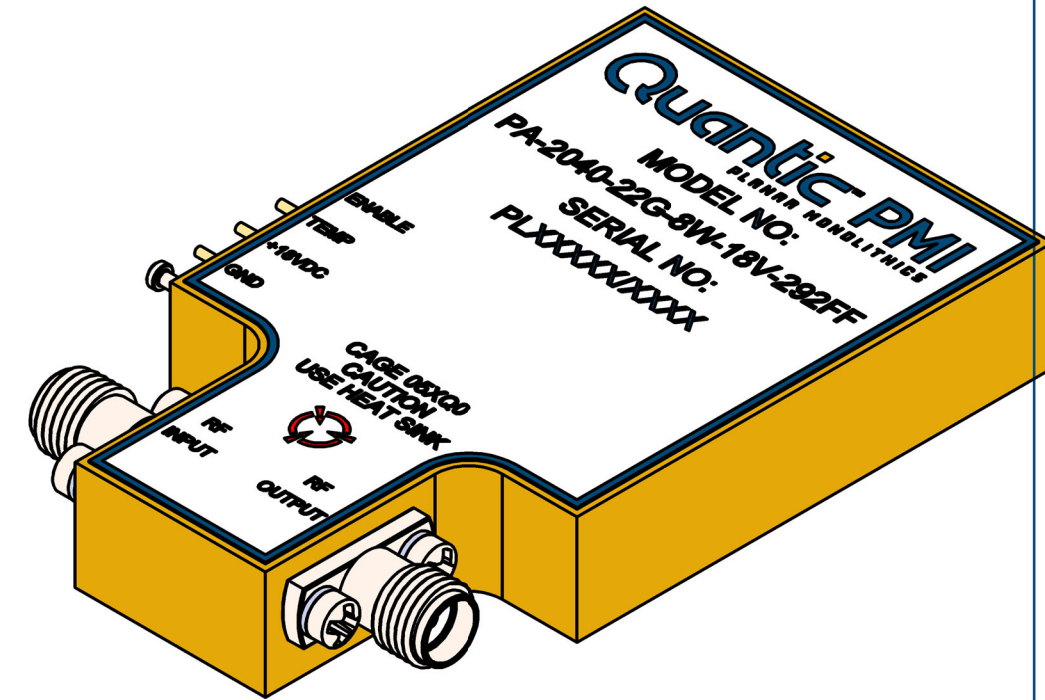
**DESCRIPTION:**

PMI MODEL NUMBER PA-2040-22G-8W-18V-292FF IS A HIGH POWER AMPLIFIER WITH AN OPERATING FREQUENCY OF 20 TO 40 GHz, 22 dB GAIN AND SATURATED OUTPUT POWER OF 8W.

ZONE	REV.	DESCRIPTION	DATE	APPROVED
	A1	ORIGINAL RELEASE	5/8/2023	

**SPECIFICATIONS:**

- FREQUENCY RANGE:..... 20 TO 40 GHz
- GAIN:..... 22 dB TYP
- VSWR (INPUT/OUTPUT):..... 2.0:1 MAX
- PSAT:..... 8W TYP
- INPUT POWER:..... 33 dBm MAX
- SUPPLY AND CURRENT (+18VDC):..... +18VDC AT 2A (I-q) AND 6.7A (I-Psat) TYP
- POWER AND CONTROL (ENABLE):..... "1" = +3V ON  
"0" = 0V OFF
- DETECTION OF OVERHEAT (TEMP):..... "1" = OVERHEAT WITH AUTOMATIC SHUTOFF  
"0" = NORMAL OPERATION
- WEIGHT:..... 1.0 oz MAX
- CONNECTORS:..... 2.92mm FEMALE REMOVEABLE
- FINISH:..... GOLD PLATED



**ENVIRONMENTAL RATINGS:**

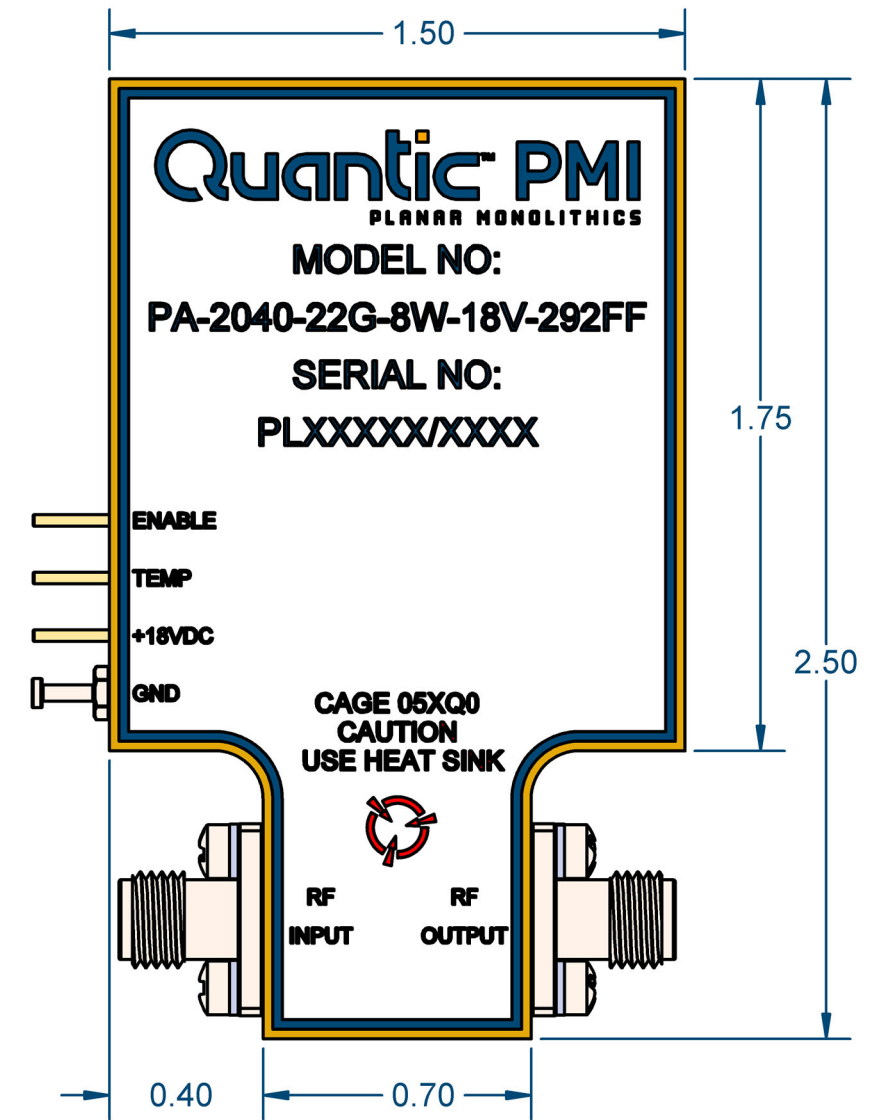
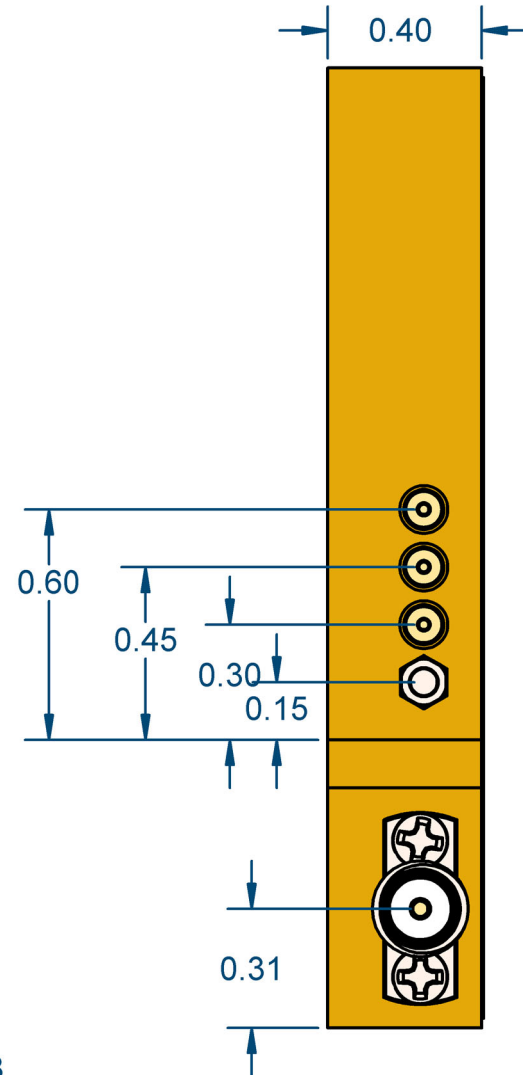
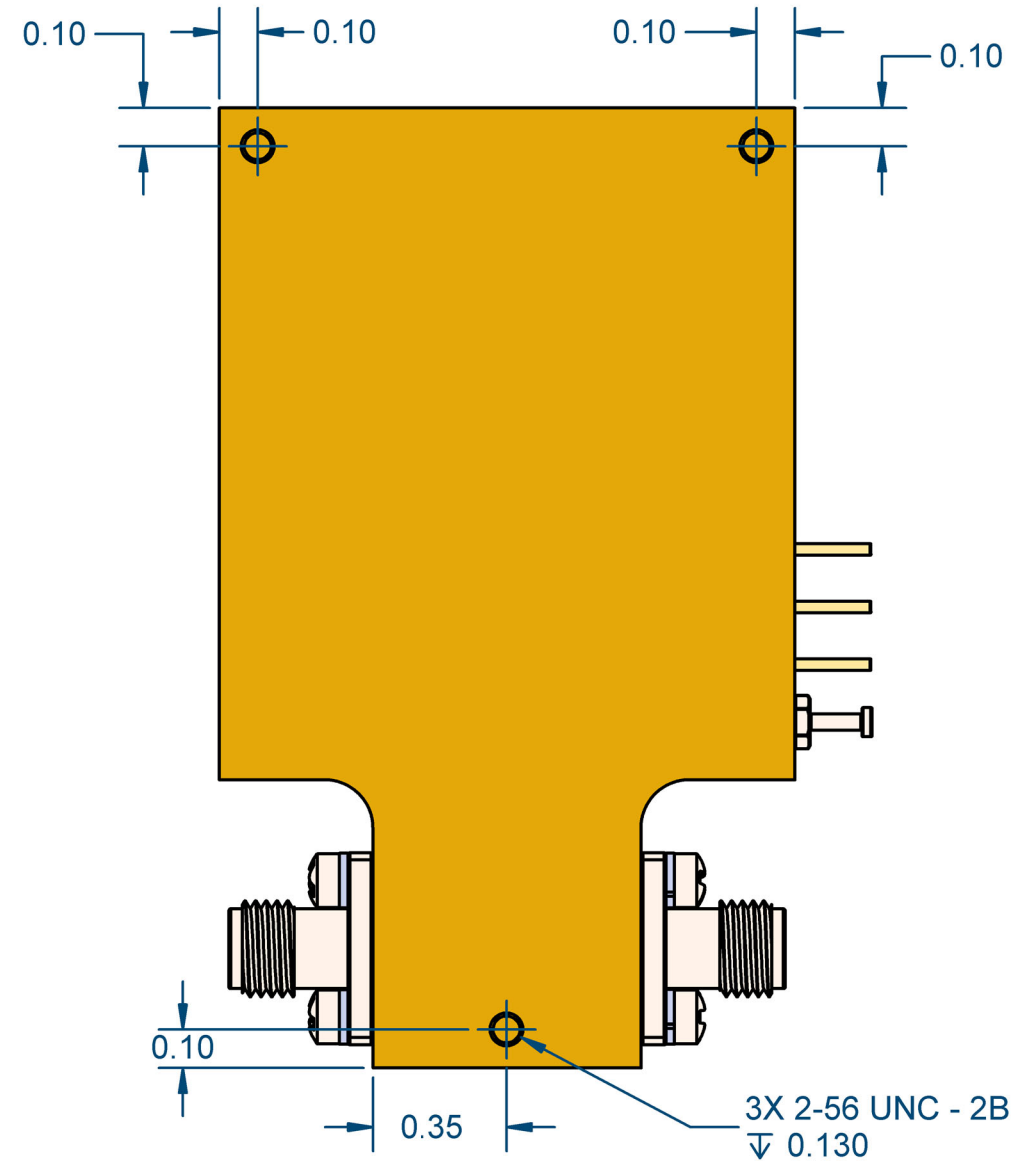
- TEMPERATURE:..... -40°C TO +85°C (OPERATING)  
-55°C TO +125°C (STORAGE)
- HUMIDITY:..... MIL-STD-202, METHOD 103B COND. B
- SHOCK:..... MIL-STD-202, METHOD 213B COND. B
- VIBRATION:..... MIL-STD-202, METHOD 204D COND. B
- ALTITUDE:..... MIL-STD-202, METHOD 105C COND. B
- TEMPERATURE CYCLE:..... MIL-STD-202, METHOD 107D COND. A

PMI CONFIDENTIAL AND PROPRIETARY

NOTE: SPECIFICATIONS WILL VARY OVER TEMPERATURE  
NOTE: THE ABOVE SPECIFICATIONS ARE SUBJECT TO CHANGE OR REVISION

UNLESS OTHERWISE SPECIFIED DIMENSIONS ARE IN INCHES TOLERANCES ARE: FRACTIONS    DECIMALS    ANGLES ±                .XX ± 0.02                ± .XXX ± 0.01		APPROVALS		DATE		<b>Quantic PMI</b> PLANNED NONLITHICS 7309-A GROVE ROAD FREDERICK MARYLAND 21704 USA TEL: (301) 862-5019, FAX: (301) 662-1731 WEB: WWW.QUANTICPMI.COM, EMAIL: SALES@QUANTICPMI.COM ISO 9001 CERTIFIED		
		DRAWN <b>R. SIRK</b>		5/8/2023				
REDRAWN		ISSUED		TITLE OUTLINE PA-2040-22G-8W-18V-292FF		REV. A1		
		SIZE B	FSCM NO. 05XQ0	DWG NO. 27045560	SCALE 2:1			
							SHEET 1 OF 2	

ZONE	REV.	DESCRIPTION	DATE	APPROVED
	A1	ORIGINAL RELEASE	5/8/2023	



PMI CONFIDENTIAL AND PROPRIETARY

NOTE: SPECIFICATIONS WILL VARY OVER TEMPERATURE  
 NOTE: THE ABOVE SPECIFICATIONS ARE SUBJECT TO CHANGE OR REVISION

UNLESS OTHERWISE SPECIFIED DIMENSIONS ARE IN INCHES TOLERANCES ARE: FRACTIONS DECIMALS ANGLES ± .XX ± 0.02 ± .XXX ± 0.01		APPROVALS		DATE		<b>Quantic PMI</b> PLANAR MONOLITHICS 7309-A GROVE ROAD FREDERICK MARYLAND 21704 USA TEL: (301) 662-5019 FAX: (301) 662-1731 WEB: WWW.QUANTICPMI.COM EMAIL: SALES@QUANTICPMI.COM ISO 9001 CERTIFIED	
		DRAWN R. SIRK		5/8/2023			
REDRAWN		ISSUED		TITLE OUTLINE PA-2040-22G-8W-18V-292FF		REV. A1	
SCALE 2:1		SIZE B		FSCM NO. 05XQ0		DWG NO. 27045560	