

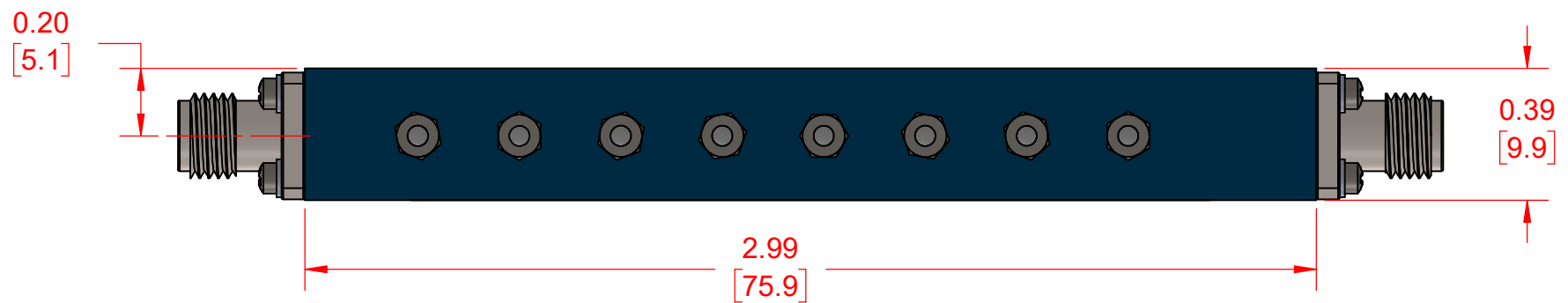
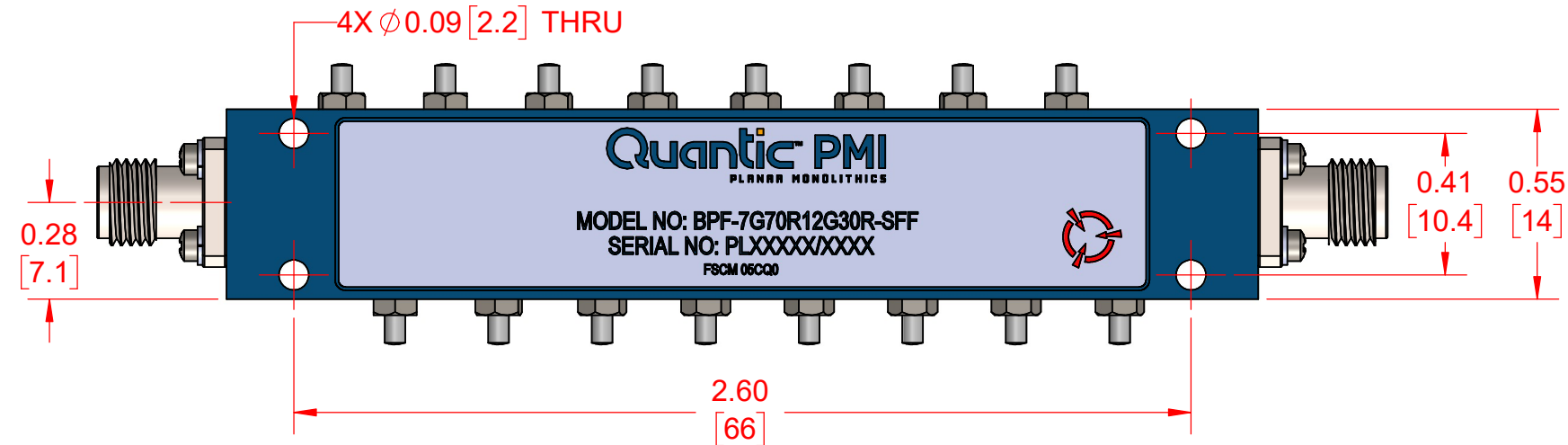
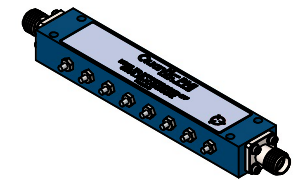
ZONE	REV.	DESCRIPTION	DATE	APPROVED
	A1	ORIGINAL RELEASE	1/6/2023	

**DESCRIPTION:**

PMI MODEL NUMBER BPF-7G70R12G30R-SFF IS A BANDPASS FILTER WITH A CENTER FREQUENCY OF 10 GHz. IT HAS A MAXIMUM INSERTION LOSS OF 2.0 dB AND A MAXIMUM VSWR OF 1.8:1. THIS MODEL IS OUTFITTED WITH SMA FEMALE CONNECTORS.

**SPECIFICATIONS:**

- BAND PASS FREQUENCY:..... 7.7 TO 12.3 GHz
- INSERTION LOSS:..... 2.0 dB MAX
- VSWR:..... 1.8:1 MAX
- CENTER FREQUENCY:..... 10.0 GHz
- REJECTION @ 0.5 TO 7 GHz AND 13 TO 20 GHz:..... 50 dB MIN
- INPUT POWER:..... 10 WATTS TYP
- PASSBAND RIPPLE:..... 1 dB MAX
- IMPEDANCE:..... 50 OHMS
- INPUT/OUTPUT CONNECTOR:..... SMA FEMALE
- FINISH:..... PAINTED BLUE



**ENVIRONMENTAL RATINGS:**

- TEMPERATURE:..... -45°C TO +85°C (OPERATING)
- HUMIDITY:..... MIL-STD-202, METHOD 103B COND. B
- SHOCK:..... MIL-STD-202, METHOD 213B COND. B
- VIBRATION:..... MIL-STD-202, METHOD 204D COND. B
- ALTITUDE:..... MIL-STD-202, METHOD 105C COND. B
- TEMPERATURE CYCLE:..... MIL-STD-202, METHOD 107D COND. A

**TOLERANCES: ±0.02 [0.508]  
HOLE: ±0.2 [0.008]**  
PMI CONFIDENTIAL AND PROPRIETARY

NOTE: SPECIFICATIONS WILL VARY OVER TEMPERATURE  
NOTE: THE ABOVE SPECIFICATIONS ARE SUBJECT TO CHANGE OR REVISION

APPROVALS DRAWN <b>S AZHAR</b> REDRAWN ISSUED		DATE		<b>Quantic PMI</b> <small>PLANAR MONOLITHICS</small> 7309-A GROVE ROAD FREDERICK MARYLAND 21704 USA TEL: (301) 662-5019, FAX: (301) 662-1731 WEB: WWW.PMI-RF.COM, EMAIL: SALES@PMI-RF.COM ISO 9001 CERTIFIED	
		1/6/2023			
UNLESS OTHERWISE SPECIFIED DIMENSIONS ARE IN INCHES TOLERANCES ARE: FRACTIONS DECIMALS ANGLES ± .XX ± 0.02 ± .XXX ± 0.01				TITLE <b>OUTLINE</b> <b>BPF-7G70R12G30R-SFF</b>	
SIZE		FSCM NO.	DWG NO.	REV.	
B		05XQ0	27045740	A1	
SCALE 1:1			SHEET 1 OF 1		