

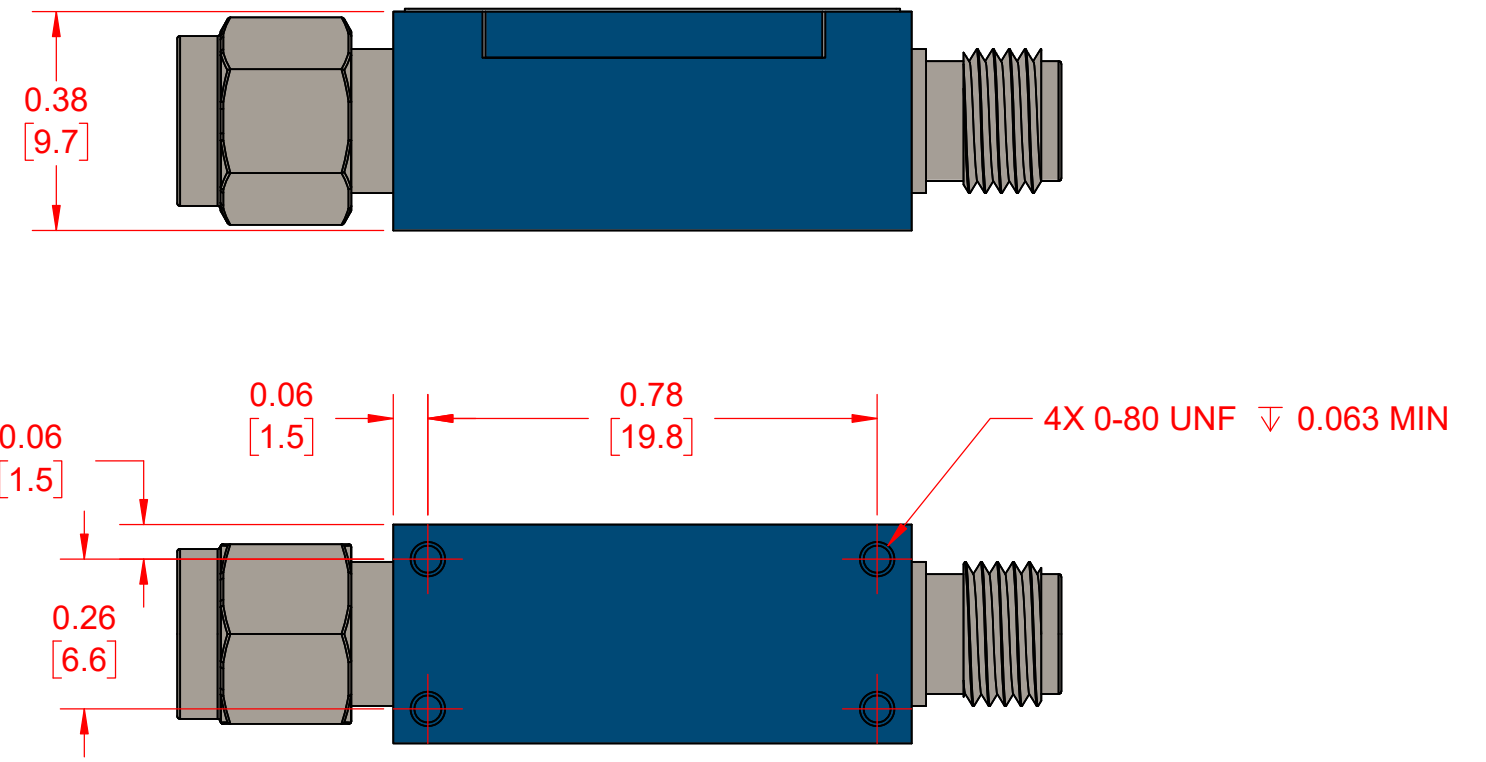
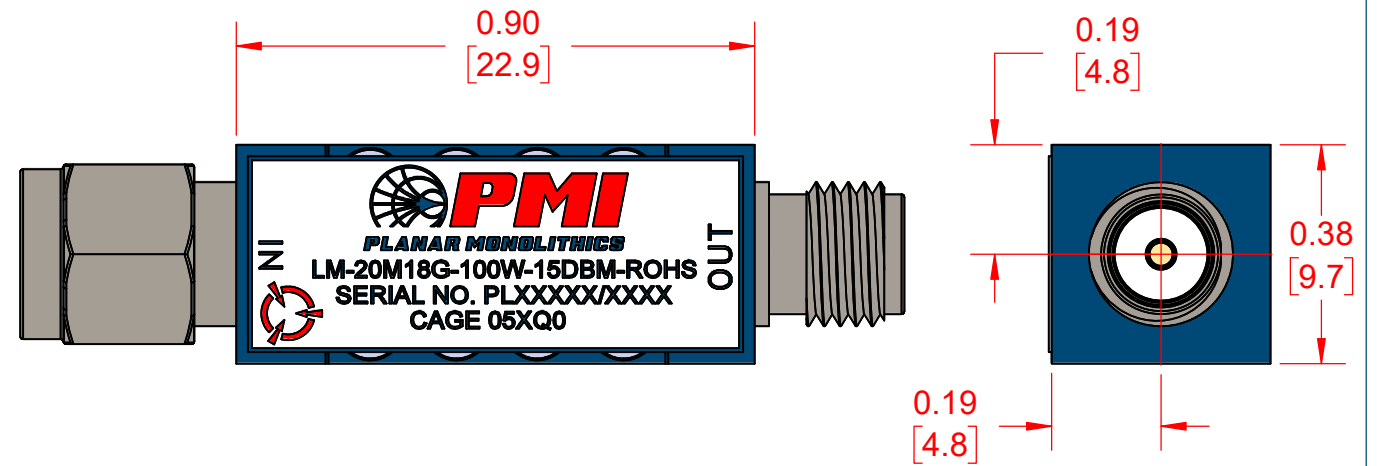
DESCRIPTION:

PMI MODEL LM-20M18G-100W-15DBM-ROHS IS A 20 MHz TO 18 GHz RF LIMITER FEATURING 100 W CW POWER HANDLING, 15 dBm MAX LEAKAGE, AND 100 ns RECOVERY TIME.

ZONE	REV.	DESCRIPTION	DATE	APPROVED
	A1	ORIGINAL RELEASE	5/14/2023	
	B1	ECN # 26-0012	1/19/2026	

SPECIFICATIONS:

- FREQUENCY RANGE:..... 20 MHz TO 18 GHz
- VSWR @ -10 dBm INPUT POWER:..... 2.0 : 1 MAX
- INSERTION LOSS @ 100 W PEAK POWER:..... 2.60 dB MAX
- RF POWER HANDLING:..... 100 W CW MAX
1 kW PEAK MIN (1 us PULSE WIDTH, 0.1% DUTY CYCLE)
- LEAKAGE POWER @ 100 W CW:..... +15 dBm MAX
- LIMITING THRESHOLD
P1dB:..... +5 dBm MIN
- RECOVERY TIME @ 100 W PEAK POWER:..... 100 ns MAX
- CONNECTORS:..... SMA FEMALE/MALE REMOVEABLE
- WEIGHT:..... 0.705 OZ MAX
- FINISH:..... PAINTED BLUE




ENVIRONMENTAL RATINGS:

- TEMPERATURE:..... -40°C TO +85°C (OPERATING)
-55°C TO +125°C (STORAGE)
- HUMIDITY:..... MIL-STD-202, METHOD 103B COND. B
- SHOCK:..... MIL-STD-202, METHOD 213B COND. B
- VIBRATION:..... MIL-STD-202, METHOD 204D COND. B
- ALTITUDE:..... MIL-STD-202, METHOD 105C COND. B
- TEMPERATURE CYCLE:..... MIL-STD-202, METHOD 107D COND. A

NOTE: SPECIFICATIONS WILL VARY OVER TEMPERATURE
NOTE: THE ABOVE SPECIFICATIONS ARE SUBJECT TO CHANGE OR REVISION

PMI CONFIDENTIAL AND PROPRIETARY

APPROVALS DRAWN MDL REDRAWN ISSUED		DATE		 PMI PLANAR MONOLITHICS 7309-A GROVE ROAD FREDERICK, MARYLAND 21704 USA TEL: (301) 662-5019, FAX: (301) 662-1731 WEB: WWW.QUANTICPMI.COM, EMAIL: SALES@QUANTICPMI.COM ISO 9001 CERTIFIED	
		5/14/2023			
TITLE OUTLINE LM-20M18G-100W-15DBM-ROHS				REV. B1	
UNLESS OTHERWISE SPECIFIED DIMENSIONS ARE IN INCHES TOLERANCES ARE: FRACTIONS DECIMALS ANGLES ± .XX ± 0.02 ± .XXX ± 0.01		SIZE B	FSCM NO. 05XQ0	DWG NO. 27046140	SCALE 4:1
					SHEET 1 OF 1