

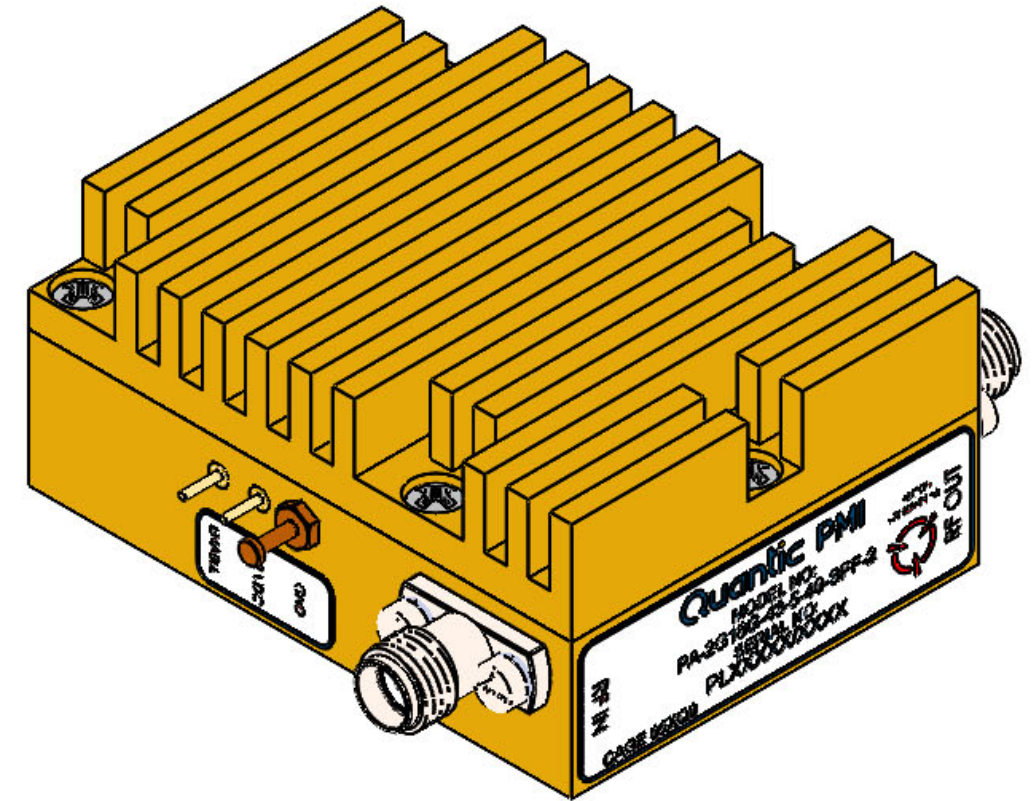
**DESCRIPTION:**

PMI MODEL NUMBER PA-2G18G-43-5-40-SFF-2 IS A HIGH POWER AMPLIFIER WITH AN OPERATING FREQUENCY OF 2 TO 18 GHz, 43 dB GAIN AND SATERATED OUTPUT POWER OF 40 dBm.

ZONE	REV.	DESCRIPTION	DATE	APPROVED
	A1	ORIGINAL RELEASE	2/3/2023	
	B1	ECN # 25-0230	8/12/2025	

**SPECIFICATIONS:**

- FREQUENCY RANGE:..... 2.0 TO 18.0 GHz
- GAIN:..... 43 dB TYP  
39 dB MIN
- VSWR (INPUT):..... 2.0 : 1 MAX
- VSWR (OUTPUT):..... 2.4 : 1 MAX
- NOISE FIGURE:..... 5.0 dB MAX
- PSAT:..... 40 dBm (10W) TYP  
36 dBm MIN
- INPUT POWER:..... 20 dBm MAX
- SUPPLY\*:..... +22 VDC MAX
- POWER AMP CONTROL (ENABLE):..... "1" = +3V ON - INTERNALLY PULLED HIGH  
"0" = 0 V OFF
- WEIGHT:..... 2.0 oz MAX (WITHOUT HEATSINK)
- CONNECTORS:..... SMA FEMALE REMOVEABLE
- FINISH:..... GOLD PLATED
- OPTION:..... HEATSINK WITH 120VAC FAN:  
PA-2G18G-43-5-40-SFF-2-HS



Typical Current	
Quiescent current and maximum current	
-40°C	
-30 dBm Input Power	2,660 mA
+20 dBm Input Power	2,850 mA
+25°C	
-30 dBm Input Power	2,950 mA
+20 dBm Input Power	3,500 mA
+85°C	
-30 dBm Input Power	2,700 mA
+20 dBm Input Power	3,600 mA

\*LOWER VOLTAGE WILL RESULT IN LOWER PSAT. GAIN WILL STAY CONSTANT DOWN TO +20 VDC.

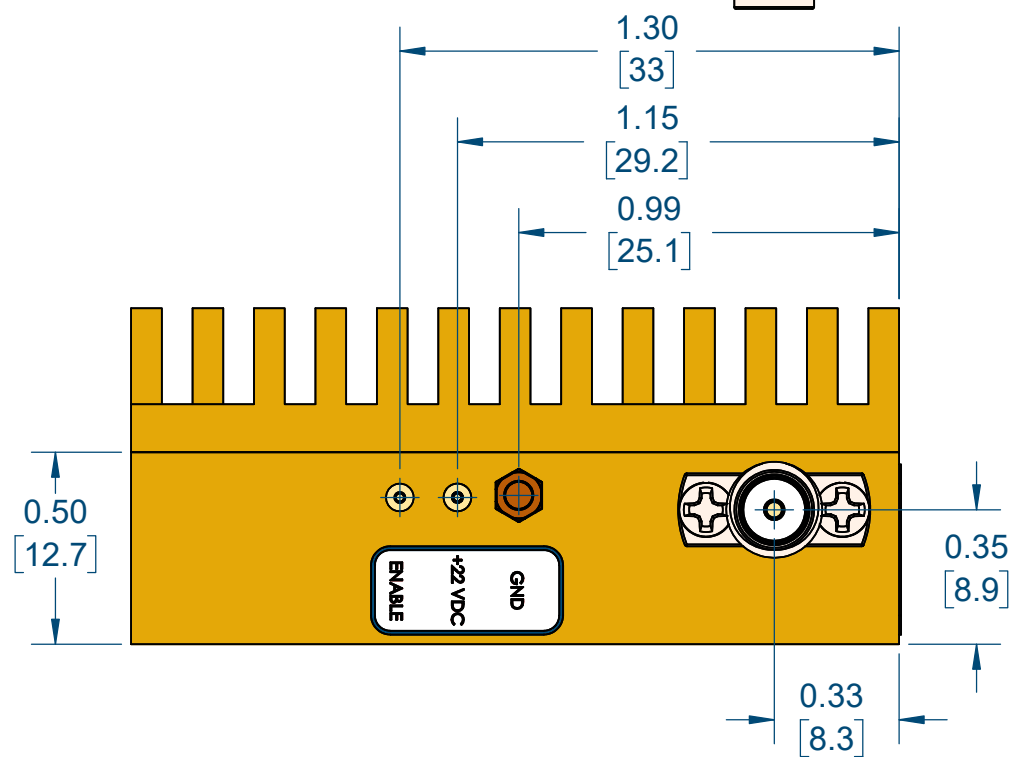
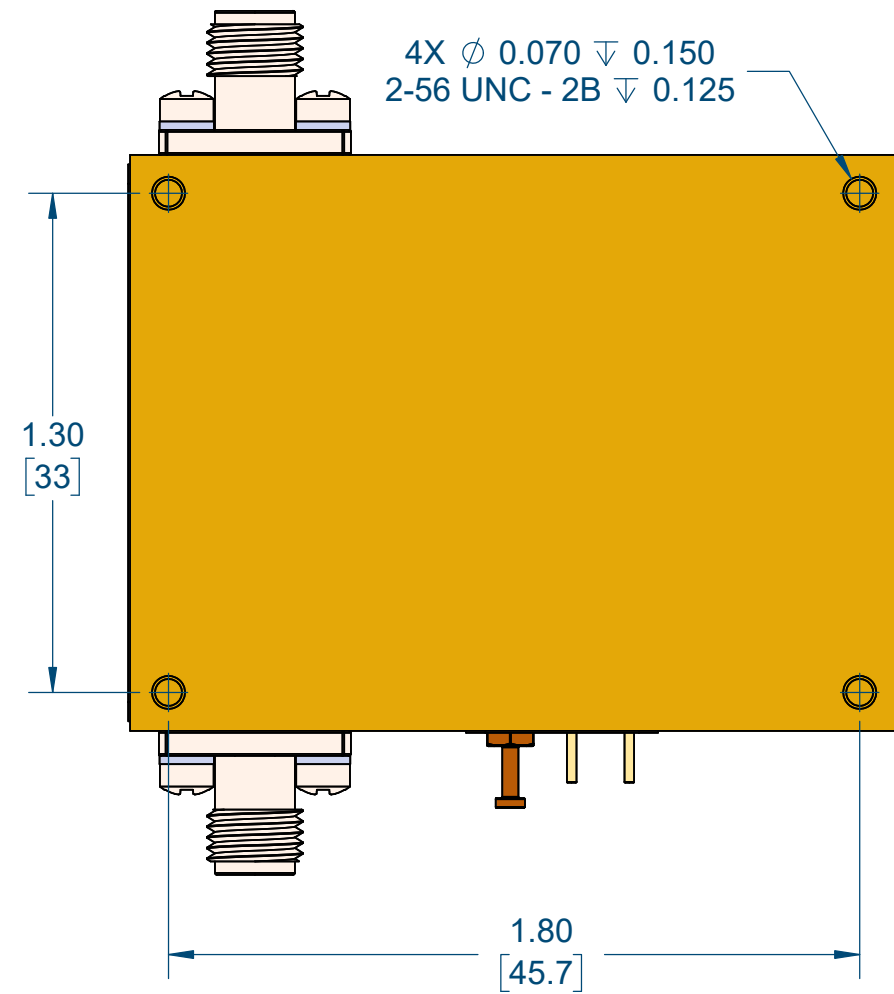
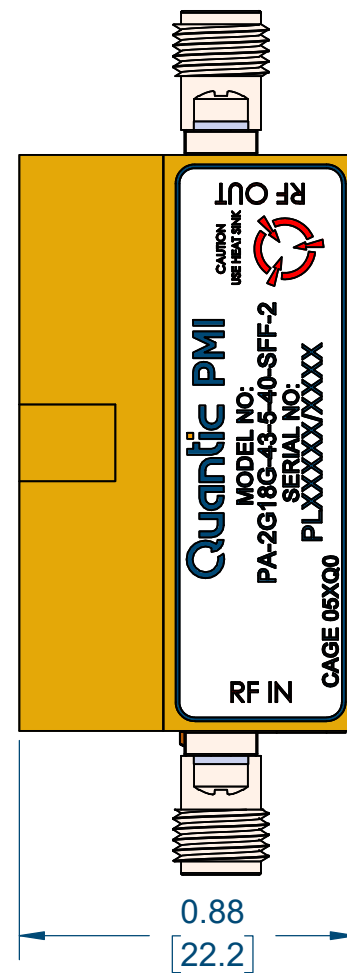
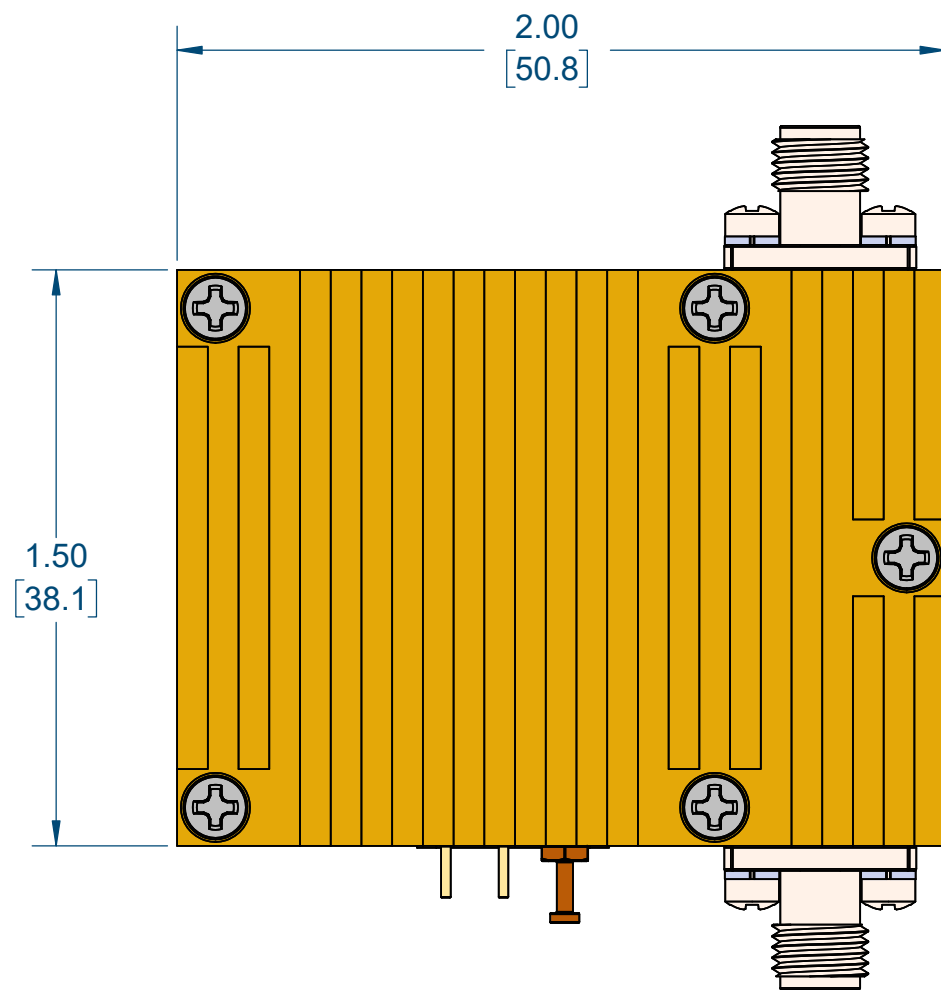
**ENVIRONMENTAL RATINGS:**

- TEMPERATURE:..... -40°C TO +85°C (OPERATING)  
-55°C TO +125°C (STORAGE)
- HUMIDITY:..... MIL-STD-202, METHOD 103B COND. B
- SHOCK:..... MIL-STD-202, METHOD 213B COND. B
- VIBRATION:..... MIL-STD-202, METHOD 204D COND. B
- ALTITUDE:..... MIL-STD-202, METHOD 105C COND. B
- TEMPERATURE CYCLE:..... MIL-STD-202, METHOD 107D COND. A

NOTE: SPECIFICATIONS WILL VARY OVER TEMPERATURE  
NOTE: THE ABOVE SPECIFICATIONS ARE SUBJECT TO CHANGE OR REVISION

PMI CONFIDENTIAL AND PROPRIETARY

UNLESS OTHERWISE SPECIFIED DIMENSIONS ARE IN INCHES TOLERANCES ARE: FRACTIONS DECIMALS ANGLES ± .XX ± 0.02 ± .XXX ± 0.01		APPROVALS	DATE	<b>Quantic PMI</b> PLANAR MONOLITHICS 7309-A GROVE ROAD FREDERICK MARYLAND 21704 USA TEL: (301) 662-5019, FAX: (301) 662-1731 WEB: WWW.QUANTICPMI.COM, EMAIL: SALES@QUANTICPMI.COM ISO 9001 CERTIFIED			
		DRAWN <b>R. SIRK</b> REDRAWN	4/3/2023			TITLE OUTLINE PA-2G18G-43-5-40-SFF-2	
		ISSUED		SIZE B	FSCM NO. 05XQ0	DWG NO. 27046360	REV. B1
				SCALE 1:1	SHEET 1 OF 2		



NOTE: SPECIFICATIONS WILL VARY OVER TEMPERATURE  
 NOTE: THE ABOVE SPECIFICATIONS ARE SUBJECT TO CHANGE OR REVISION

PMI CONFIDENTIAL AND PROPRIETARY

UNLESS OTHERWISE SPECIFIED DIMENSIONS ARE IN INCHES TOLERANCES ARE: FRACTIONS .XX ± 0.02 ANGLES ± DECIMALS .XXX ± 0.01		APPROVALS	DATE	<b>Quantic PMI</b> <small>PLANAR MONOLITHICS</small> 7309-A GROVE ROAD FREDERICK MARYLAND 21704 USA TEL: (301) 662-5019, FAX: (301) 662-1731 WEB: WWW.QUANTICPMI.COM, EMAIL: SALES@QUANTICPMI.COM ISO 9001 CERTIFIED			
		DRAWN <b>R. SIRK</b> REDRAWN	4/3/2023				TITLE OUTLINE PA-2G18G-43-5-40-SFF-2
		ISSUED		SIZE	FSCM NO.	DWG NO.	REV.
				B	05XQ0	27046360	B1
		SCALE 1:1			SHEET 2 OF 2		