

ZONE	REV.	DESCRIPTION	DATE	APPROVED
	A1	ORIGINAL RELEASE	09/27/2024	
	B1	ECN #26-0120	05/27/2026	

**DESCRIPTION:**

PMI MODEL PMSN-3DR-05-STANDARD-LV IS A SINGLE POLE THREE THROW REFLECTIVE SWITCH MODULE WITH VERY LOW INSERTION LOSS, HIGH ISOLATION, HIGH POWER (1 WATT), AND WITH HIGH SPEED (25nsec) INTEGRAL CMOS DRIVER DESIGNED FOR 1 GHz TO 18 GHz OPERATION.

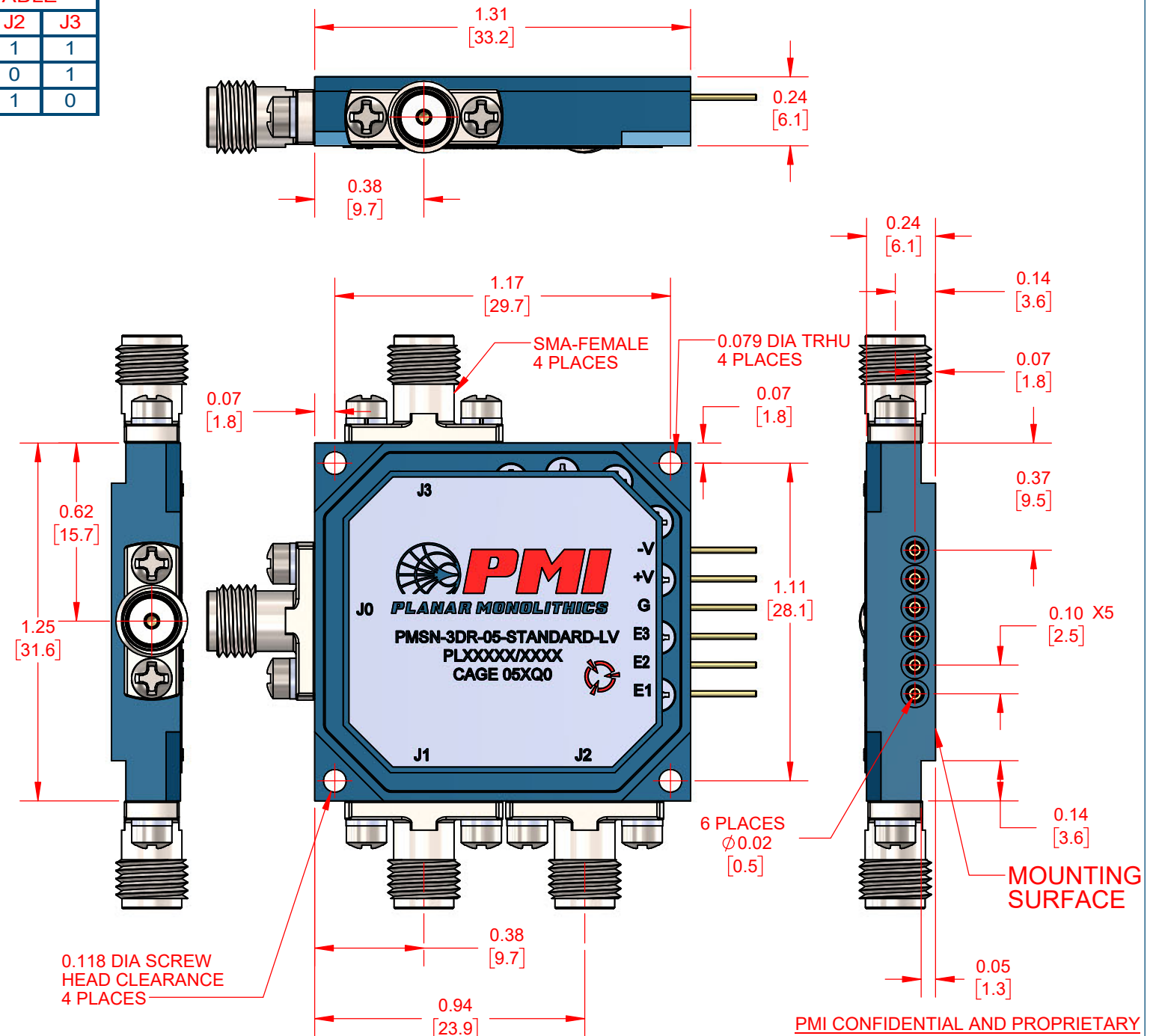
**SPECIFICATIONS:**

- FREQUENCY RANGE:..... 1.0-18.0 GHz
- INSERTION LOSS:..... 3.5 dB (MAXIMUM)
- VIDEO TRANSIENTS:..... 100mV P-P (MAXIMUM)
- ISOLATION:..... 60 dB (MINIMUM)
- VSWR:..... 1.75:1 @ 1.0-12.4 GHz (MAXIMUM)  
2.0:1 @ 12.4-18.0 GHz (MAXIMUM)
- POWER HANDLING:..... REFLECTIVE 1 WATT CW OR PEAK (WITHOUT PERFORMANCE DEGRADATION)
- SWITCHING SPEED:..... RISE TIME: 10nsec (MAXIMUM)  
FALL TIME: 10nsec (MAXIMUM)  
ON TIME: 25nsec (MAXIMUM)  
OFF TIME: 40nsec (MAXIMUM)
- SURVIVAL POWER:..... 20 WATTS PEAK (0.5usec MAXIMUM PULSE WIDTH, 0.1% DUTY CYCLE)
- POWER SUPPLY:..... +5V ±5% @ 75mA MAXIMUM  
-12V @ 30mA MAXIMUM
- CONTROL INPUT IMPEDENCE..... 3.3/5.0V CMOS LOGIC
- CONTROL LOGIC:..... "0"=ON @ 0V TO 1.2V  
"1"=OFF @ 3.3V TO 5.5V
- CONNECTOR:..... SMA FEMALE
- SIZE :..... 1.31 X 1.25 X 0.24
- WEIGHT:..... 1.50 OUNCE TYPICAL
- FINISH:..... PAINTED BLUE

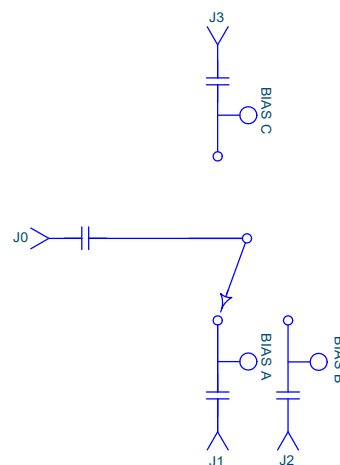
**ENVIRONMENTAL RATINGS:**

- TEMPERATURE:..... -65°C TO +85°C (OPERATING)  
-65°C TO +125°C (STORAGE)
- HUMIDITY:..... MIL-STD-202, METHOD 103 COND. B
- SHOCK:..... MIL-STD-202, METHOD 213 COND. B
- VIBRATION:..... MIL-STD-202, METHOD 204 COND. B
- ALTITUDE:..... MIL-STD-202, METHOD 105 COND. B
- TEMPERATURE CYCLE:..... MIL-STD-202, METHOD 107 COND. A

TRUTH TABLE			
	J1	J2	J3
E1	0	1	1
E2	1	0	1
E3	1	1	0



**BLOCK DIAGRAM**



PMI CONFIDENTIAL AND PROPRIETARY

NOTE: SPECIFICATIONS WILL VARY OVER TEMPERATURE  
NOTE: THE ABOVE SPECIFICATIONS ARE SUBJECT TO CHANGE OR REVISION

<p>UNLESS OTHERWISE SPECIFIED DIMENSIONS ARE IN INCHES TOLERANCES ARE:</p> <table border="1"> <tr> <th>FRACTIONS</th> <th>DECIMALS</th> <th>ANGLES</th> </tr> <tr> <td>±</td> <td>.XX ± 0.02</td> <td>±</td> </tr> <tr> <td></td> <td>.XXX ± 0.01</td> <td></td> </tr> </table>		FRACTIONS	DECIMALS	ANGLES	±	.XX ± 0.02	±		.XXX ± 0.01		<p>APPROVALS</p> <p>DATE</p> <p>DRAWN VP</p> <p>REDRAWN</p> <p>ISSUED</p>	<p>DATE</p> <p>09/27/2024</p>	<p>TITLE</p> <p>OUTLINE</p> <p>PMSN-3DR-05-STANDARD-LV</p>	<p>SIZE</p> <p>B</p>	<p>FSCM NO.</p> <p>05XQ0</p>	<p>DWG NO.</p> <p>27049600</p>	<p>REV.</p> <p>B1</p>
FRACTIONS	DECIMALS	ANGLES															
±	.XX ± 0.02	±															
	.XXX ± 0.01																
<p>SCALE 2:1</p>							<p>SHEET 1 OF 1</p>										

