

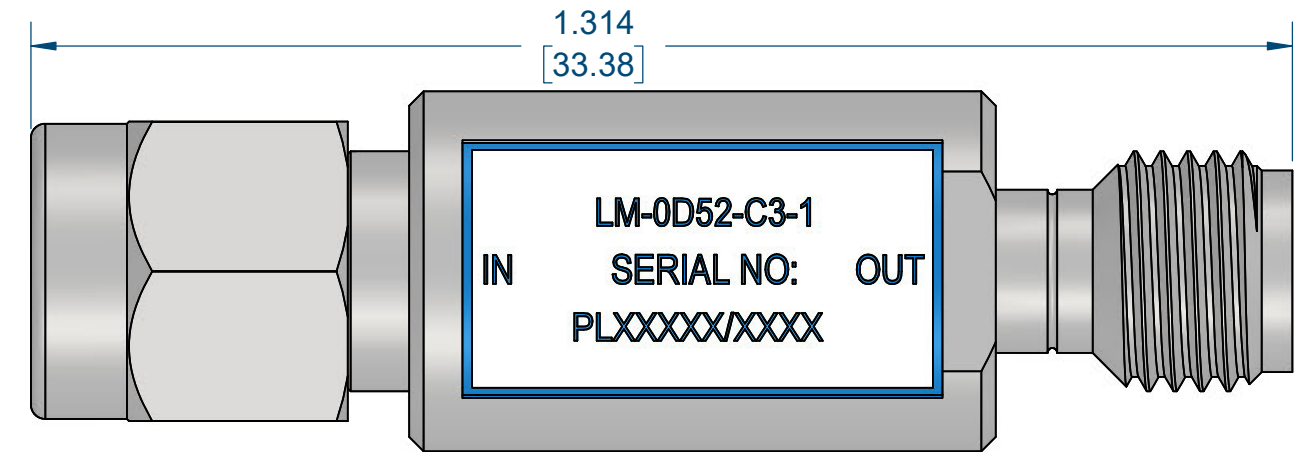
DESCRIPTION:

PMI MODEL NUMBER: LM-0D52-C3-1 IS A HIGH POWER LIMITER THAT WORKS FROM 0.5 GHz TO 2.0 GHz.

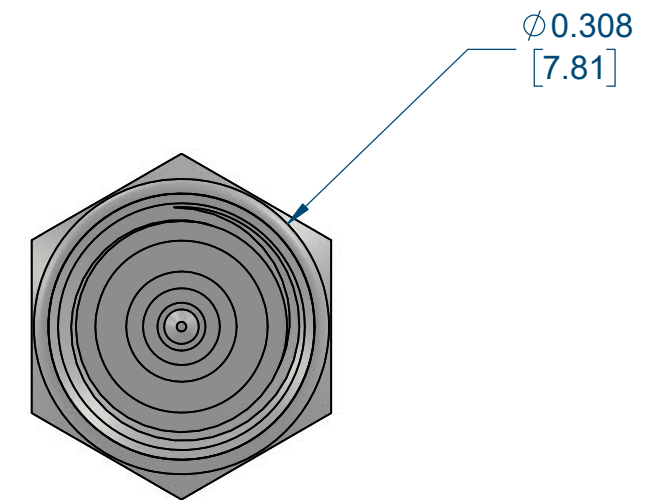
ZONE	REV.	DESCRIPTION	DATE	APPROVED
	A1	ORIGINAL RELEASE	10/22/2024	
	B1	ECN # 25-0009	1/16/2025	
	B2	ECN # 26-0122	6/1/2026	

SPECIFICATIONS:

- FREQUENCY RANGE:..... 0.5 GHz TO 2.0 GHz
- VSWR:..... 1.5:1 MAX
- INSERTION LOSS:..... 0.5 dB MAX
- AVERAGE POWER:..... 3 WATTS MAX
- PEAK POWER:..... 1000 WATTS MAX (1µs PW, 1% DUTY CYCLE)
- RECOVERY TIME:..... 1000 ns TYP @ 1 kW PEAK
100 ns TYP @ 3 W CW
- LEAKAGE POWER:..... 200 mW TYP (+23 dBm)
- CONNECTORS:..... 2.92mm (M) INPUT AND 2.92mm (F) OUTPUT
- SIZE:..... 1.31" (L) X 0.38" Ø
- WEIGHT:..... <1 OZ. TYP
- FINISH:..... NICKEL PLATED



SLEEVE INSTALLED WITH BLUE THREADLOCKER




ENVIRONMENTAL RATINGS:

- TEMPERATURE:..... -55°C TO +125°C (OPERATING)
DERATE POWER HANDLING TO ZERO AT +125°C
-65°C TO +125°C (STORAGE)
- HUMIDITY:..... MIL-STD-202, METHOD 103 COND. B
- SHOCK:..... MIL-STD-202, METHOD 213 COND. B
- ALTITUDE:..... MIL-STD-202, METHOD 105 COND. B
- VIBRATION:..... MIL-STD-202, METHOD 204 COND. B
- TEMPERATURE CYCLE:..... MIL-STD-202, METHOD 107 COND. A

NOTE: THE ABOVE SPECIFICATIONS ARE SUBJECT TO CHANGE OR REVISION

PMI CONFIDENTIAL AND PROPRIETARY

UNLESS OTHERWISE SPECIFIED DIMENSIONS ARE IN INCHES TOLERANCES ARE: FRACTIONS DECIMALS ANGLES ± .XX ± 0.010 ± .XXX ± 0.005		PART NO.		 PLANNED NONLITHICS 7309-A GROVE ROAD FREDERICK MARYLAND 21704 USA TEL: (301) 862-5019, FAX: (301) 662-1731 WEB: WWW.QUANTICPMI.COM, EMAIL: SALES@QUANTICPMI.COM ISO 9001 CERTIFIED			
MATERIAL:		APPROVALS	DATE				
FINISH:		DRAWN S LANGE	10/22/2024	TITLE OUTLINE LM-0D52-C3-1			
NEXT ASSY	USED ON	ISSUED		SIZE B	FSCM NO. 05XQ0	DWG NO. 27049980	REV. B2
APPLICATION				SCALE 5:1	SHEET 1 OF 1		