

**DESCRIPTION:**

PMI MODEL NO. PLNA-42D5-8G18G-5NF-15DBM-12V-SFF IS AN AMPLIFIER THAT MEETS THE SPECIFICATIONS BELOW.

ZONE	REV.	DESCRIPTION	DATE	APPROVED
	A1	ORIGINAL RELEASE	2/21/2025	

**SPECIFICATIONS:**

- FREQUENCY RANGE:..... 8.0 TO 18.0 GHz
- GAIN (MIN - MAX):..... +39 dB MIN TO +46 dB MAX
- GAIN FLATNESS:..... ±2.5 dB MAX  
PER NOTES (FIG-1)
- NOISE FIGURE:..... 4.0 dB MAX @ +25°C  
5.0 dB MAX
- SATURATED OUTPUT POWER:..... +15 dBm MIN
- IP3:..... +23 dBm TYP (REFERENCE)
- HARMONICS AT +5 dBm INPUT:..... -9 dBc MAX
- VSWR (INPUT/OUTPUT):..... 2.0:1 MAX
- DC POWER SUPPLY:..... +12 VDC @ 450 mA MAX
- FINISH:..... GOLD PLATED
- WEIGHT:..... 60 g (REFERENCE)

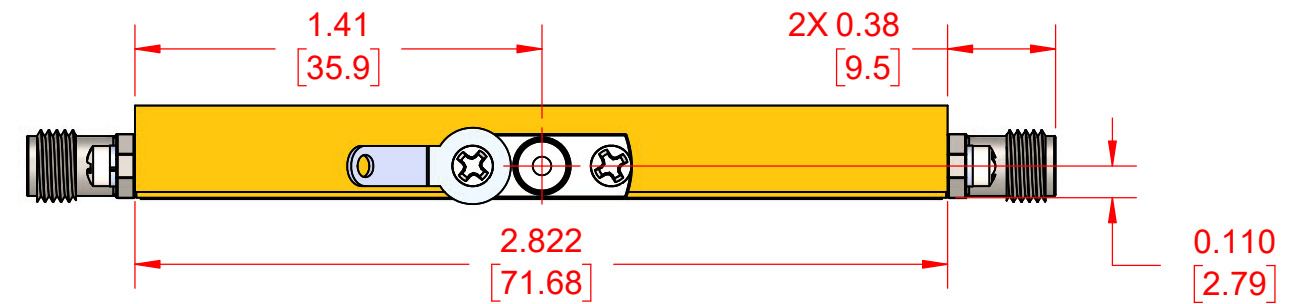
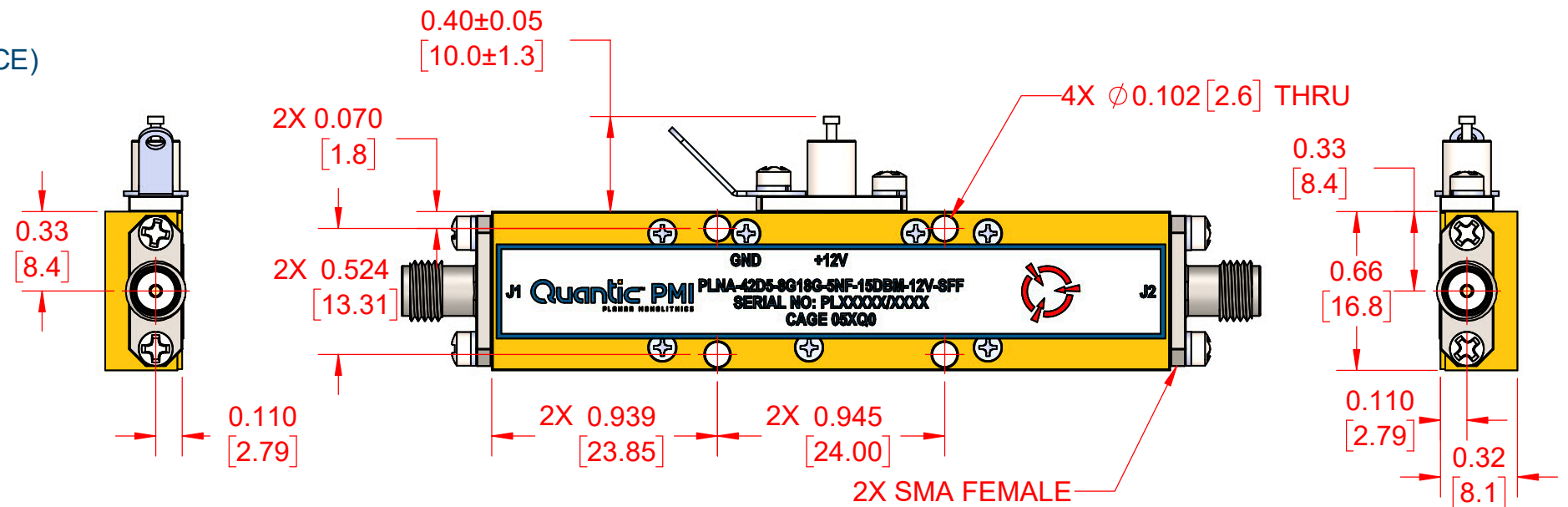
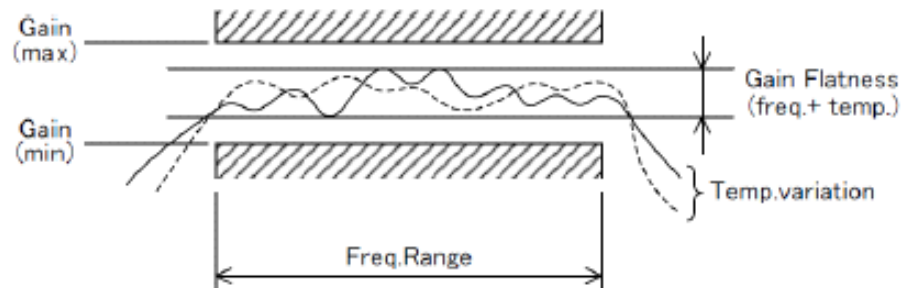


Fig-1



**ENVIRONMENTAL RATINGS:**

- TEMPERATURE:..... -20°C TO +90°C: ALL SPEC MEET (OPERATING)  
-20°C TO +115°C: NO DAMAGE (OPERATING)  
-30°C TO +95°C (STORAGE)
- HUMIDITY:..... 95%RH AT +45°C
- VIBRATION:..... 5mm PEAK TO PEAK AT 2 TO 5 Hz  
1.5mm PEAK TO PEAK AT 5 TO 10 Hz  
3mm PEAK TO PEAK AT 10 TO 25 Hz  
ALL 3 AXES, 2 HOURS EACH
- SHOCK:..... 20g AT 11ms

NOTE: SPECIFICATIONS WILL VARY OVER TEMPERATURE  
NOTE: THE ABOVE SPECIFICATIONS ARE SUBJECT TO CHANGE OR REVISION

PMI CONFIDENTIAL AND PROPRIETARY

APPROVALS DRAWN REDRAWN ISSUED		DATE 2/21/2025	TITLE OUTLINE PLNA-42D5-8G18G-5NF-15DBM-12V-SFF		REV. A1
UNLESS OTHERWISE SPECIFIED DIMENSIONS ARE IN INCHES TOLERANCES ARE: FRACTIONS DECIMALS ANGLES ± .XX ± 0.02 ± .XXX ± 0.01		SIZE B	FSCM NO. 05XQ0	DWG NO. 27051020	SCALE 3:2 SHEET 1 OF 1

**Quantic PMI**  
PLANAR MONOLITHICS

7309-A GROVE ROAD FREDERICK MARYLAND 21704 USA  
TEL: (301) 662-5019, FAX: (301) 662-1731  
WEB: WWW.QUANTICPMI.COM, EMAIL: SALES@QUANTICPMI.COM  
ISO 9001 CERTIFIED