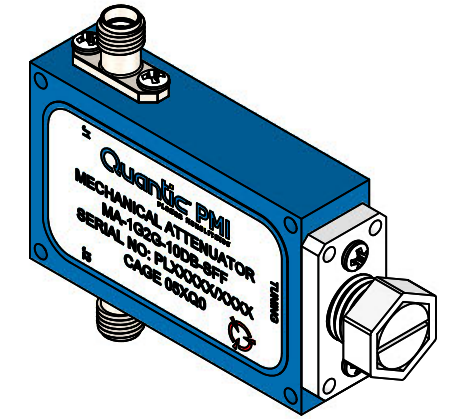
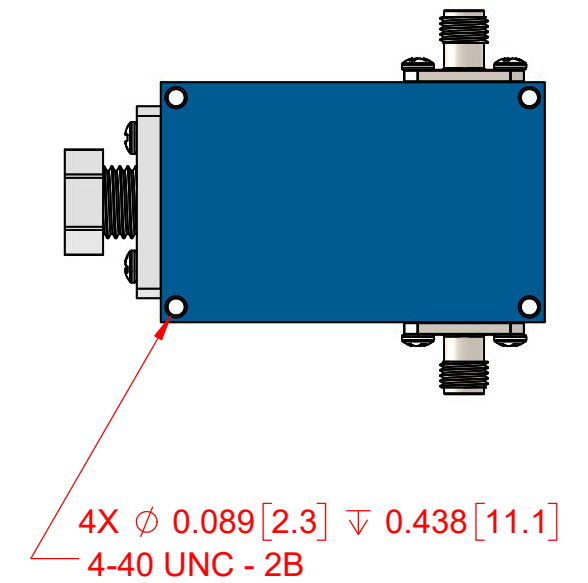
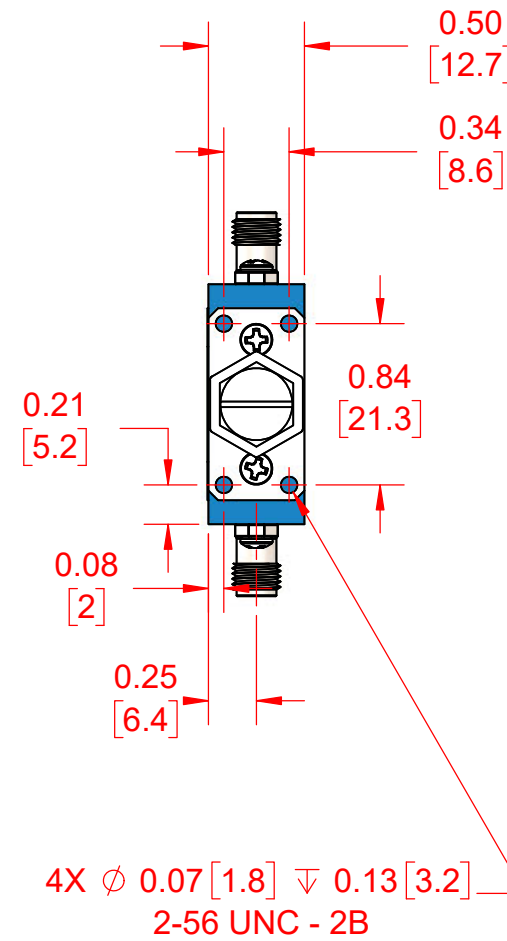
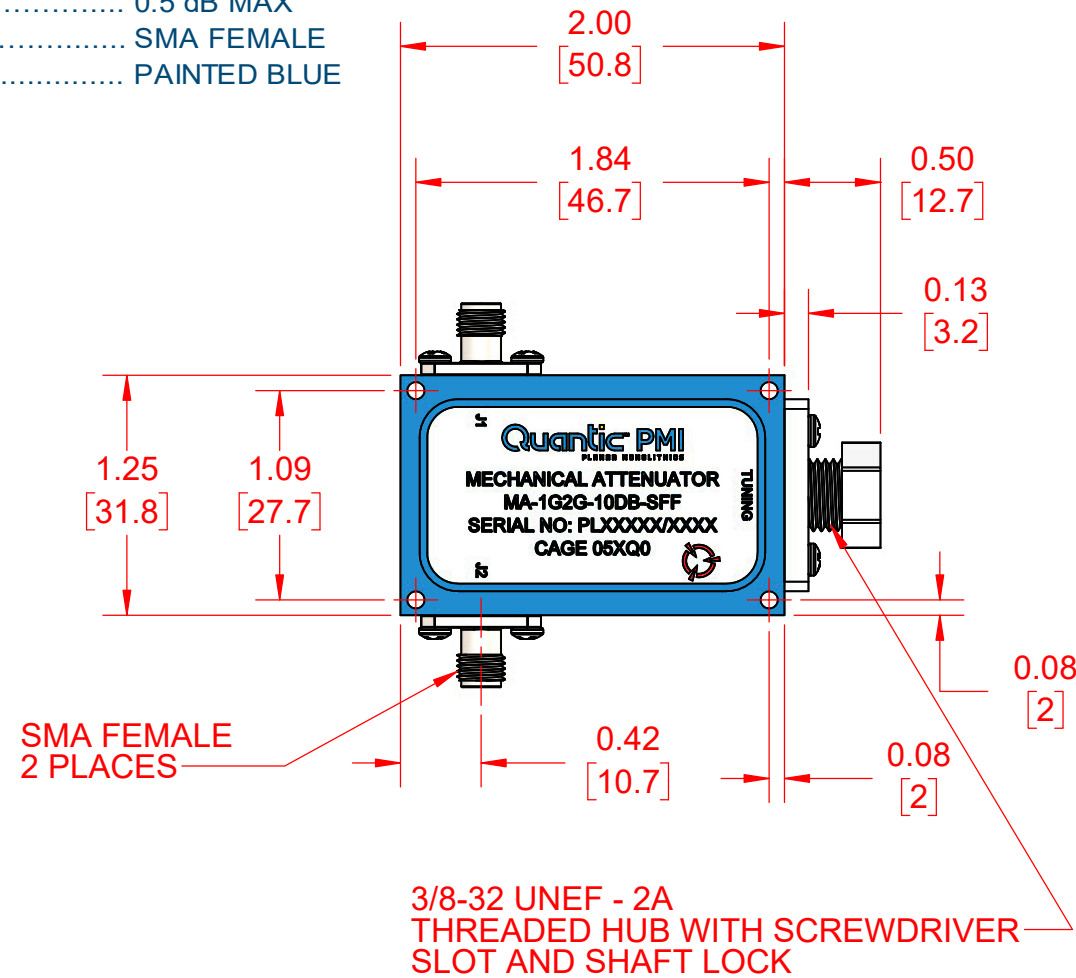


**DESCRIPTION:**

PMI MODEL NUMBER MA-1G2G-10DB-SFF IS A MECHANICAL VARIABLE ATTENUATOR THAT OPERATES OVER THE 1.0 TO 2.0 GHz FREQUENCY RANGE.

**SPECIFICATIONS:**

- FREQUENCY RANGE:..... 1.0 TO 2.0 GHz
- ATTENUATION:..... 0 TO 10 dB
- VSWR:..... 1.8:1 MAX @ 25°C  
1.9:1 MAX ACROSS OPERATING TEMPERATURE RANGE
- INSERTION LOSS:..... 0.5 dB MAX
- CONNECTORS:..... SMA FEMALE
- FINISH:..... PAINTED BLUE



**ENVIRONMENTAL RATINGS:**

- TEMPERATURE:..... -54°C TO +55°C (OPERATING)  
-57°C TO +85°C (STORAGE)
- HUMIDITY:..... 5% TO 95%
- ALTITUDE:..... 30,000 ft MAX
- VIBRATION:..... MIL-E-5400T FIGURE 2 CURVE II (2G)
- SHOCK:..... 15G, 11ms (6-AXIS)

NOTE: SPECIFICATIONS WILL VARY OVER TEMPERATURE  
NOTE: THE ABOVE SPECIFICATIONS ARE SUBJECT TO CHANGE OR REVISION

ZONE	REV.	DESCRIPTION	DATE	APPROVED
	A1	ORIGINAL RELEASE	6/10/2025	

PMI CONFIDENTIAL AND PROPRIETARY

APPROVALS DRAWN <b>V. Pratap</b> REDRAWN ISSUED		DATE		<b>Quantic PMI</b> PLANAR MONOLITHICS 7309-A GROVE ROAD FREDERICK MARYLAND 21704 USA TEL: (301) 662-5019, FAX: (301) 662-1731 WEB: WWW.QUANTICPMI.COM, EMAIL: SALES@QUANTICPMI.COM ISO 9001 CERTIFIED			
		6/10/2025					
TITLE				OUTLINE			
MA-1G2G-10DB-SFF							
SIZE	FSCM NO.	DWG NO.		REV.			
B	05XQ0	27052000		A1			
SCALE 1:1				SHEET 1 OF 1			

UNLESS OTHERWISE SPECIFIED  
DIMENSIONS ARE IN INCHES  
TOLERANCES ARE:  
FRACTIONS DECIMALS ANGLES  
± .XX ± 0.02 ±  
± .XXX ± 0.01