

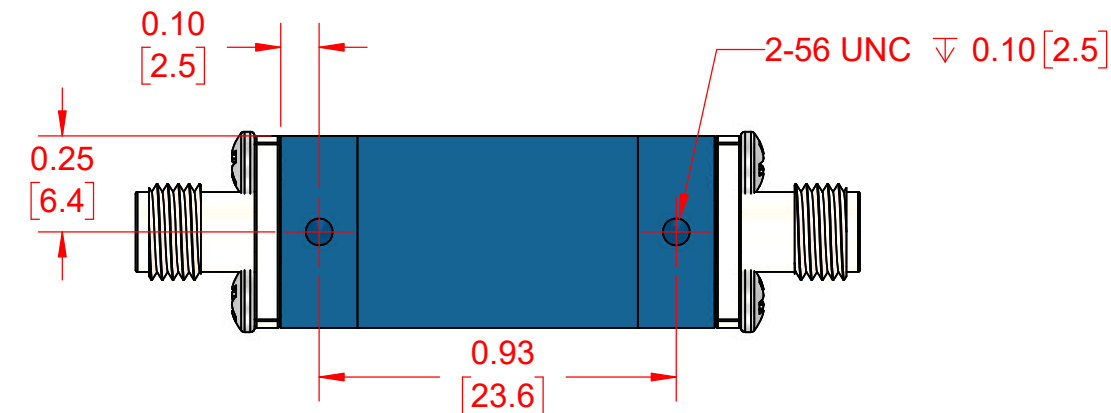
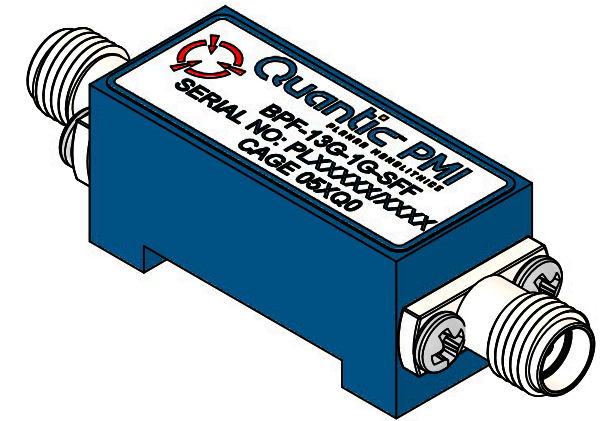
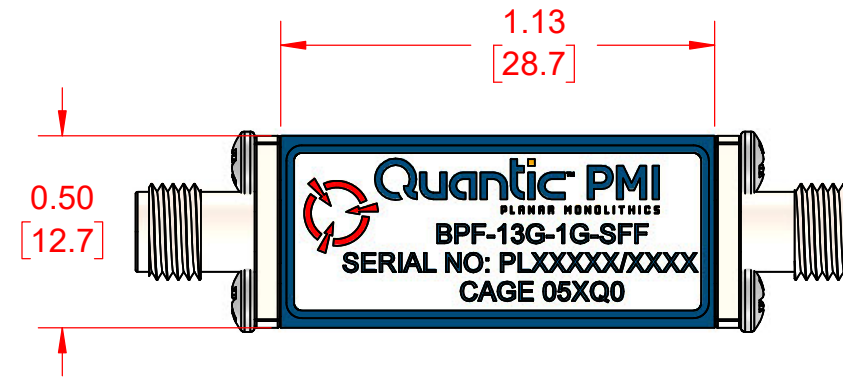
ZONE	REV.	DESCRIPTION	DATE	APPROVED
	A1	ORIGINAL RELEASE	6/23/2025	

DESCRIPTION:

PMI MODEL: BPF-13G-1G-SFF IS A BAND PASS FILTER WITH SMA FEMALE CONNECTORS IN/ OUT. THIS UNIT HAS A CENTER FREQUENCY OF 13000 MHz AND AN INSERTION LOSS OF 0.6 dB MAX.

SPECIFICATIONS @ 25°C:

- PASSBAND FREQUENCY:..... 12.5 GHz TO 13.5 GHz
- INSERTION LOSS:..... 0.6 dB MAX
- RETURN LOSS:..... 14 dB MIN
- REJECTION @ DC TO 10 GHz:..... 38 dBc MIN
- REJECTION @ 16 GHz TO 20 GHz:..... 43 dBc MIN
- INPUT POWER:..... 10 W MAX
- CONNECTORS:..... SMA FEMALE
- FINISH:..... PAINTED BLUE



ENVIRONMENTAL RATINGS:

- TEMPERATURE:..... -40°C TO +70°C (OPERATING)
- HUMIDITY:..... MIL-STD-202, METHOD 103B COND. B
- SHOCK:..... MIL-STD-202, METHOD 213B COND. B
- VIBRATION:..... MIL-STD-202, METHOD 204D COND. B
- ALTITUDE:..... MIL-STD-202, METHOD 105C COND. B
- TEMPERATURE CYCLE:..... MIL-STD-202, METHOD 107D COND. A

NOTE: SPECIFICATIONS WILL VARY OVER TEMPERATURE
 NOTE: THE ABOVE SPECIFICATIONS ARE SUBJECT TO CHANGE OR REVISION

PMI CONFIDENTIAL AND PROPRIETARY

APPROVALS DRAWN V.P. REDRAWN ISSUED		DATE		Quantic PMI PLANAR MONOLITHICS 7309-A GROVE ROAD FREDERICK MARYLAND 21704 USA TEL: (301) 662-5019, FAX: (301) 662-1731 WEB: WWW.QUANTICPMI.COM, EMAIL: SALES@QUANTICPMI.COM ISO 9001 CERTIFIED			
		6/23/2025					
TITLE				OUTLINE			
BPF-13G-1G-SFF				BPF-13G-1G-SFF			
SIZE	FSCM NO.	DWG NO.		REV.			
B	05XQ0	27052260		A1			
SCALE 2:1				SHEET 1 OF 1			

UNLESS OTHERWISE SPECIFIED
 DIMENSIONS ARE IN INCHES
 TOLERANCES ARE:
 FRACTIONS DECIMALS ANGLES
 ± .XX ± 0.02 ±
 .XXX ± 0.01