

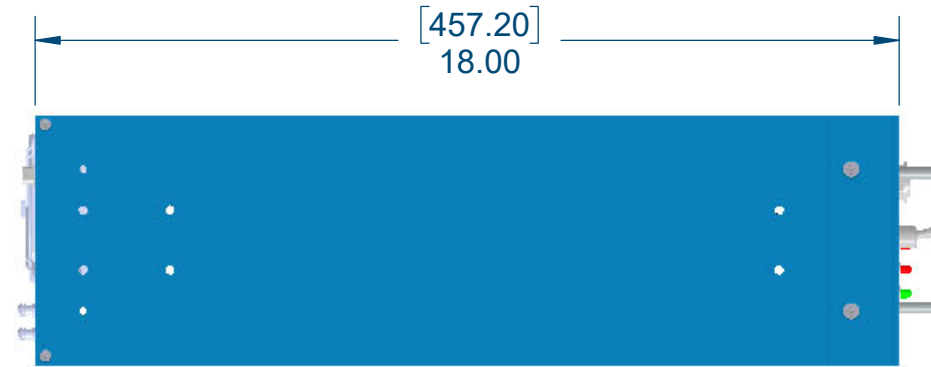
DESCRIPTION:

PMI MODEL NUMBER PA-LPN-40-50M500M-5-35DBM-SFF-X8 IS A CHASSIS CONTAINING 8 AMPLIFIERS WITH THE ABILITY TO INDIVIDUALLY TERMINATE UNUSED INPUT PORTS INTERNALLY INTO 50 OHMS. THE MINIMUM GAIN IS 38 dB WITH AN OUTPUT P1dB OF +32 dBm.

| ZONE | REV. | DESCRIPTION | DATE | APPROVED |
|------|------|------------------|----------|----------|
| | A1 | ORIGINAL RELEASE | 9/9/2025 | |
| | | | | |
| | | | | |

SPECIFICATIONS:

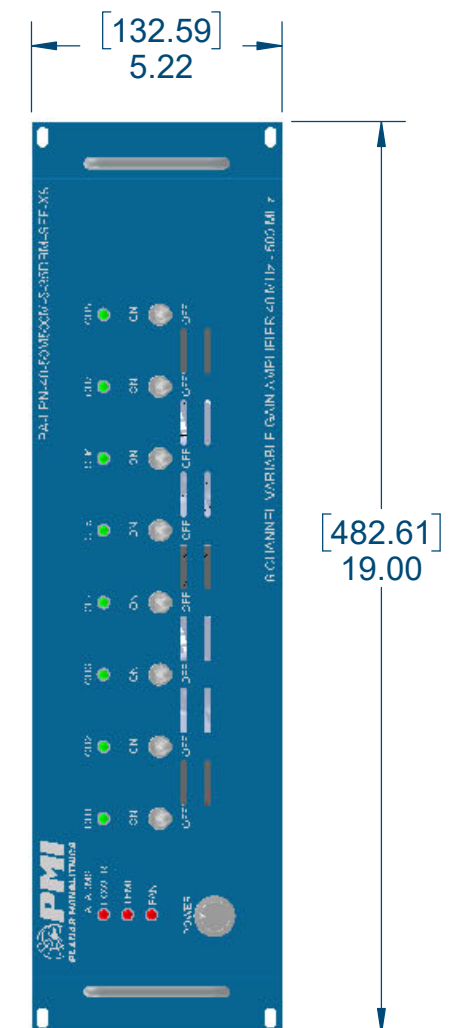
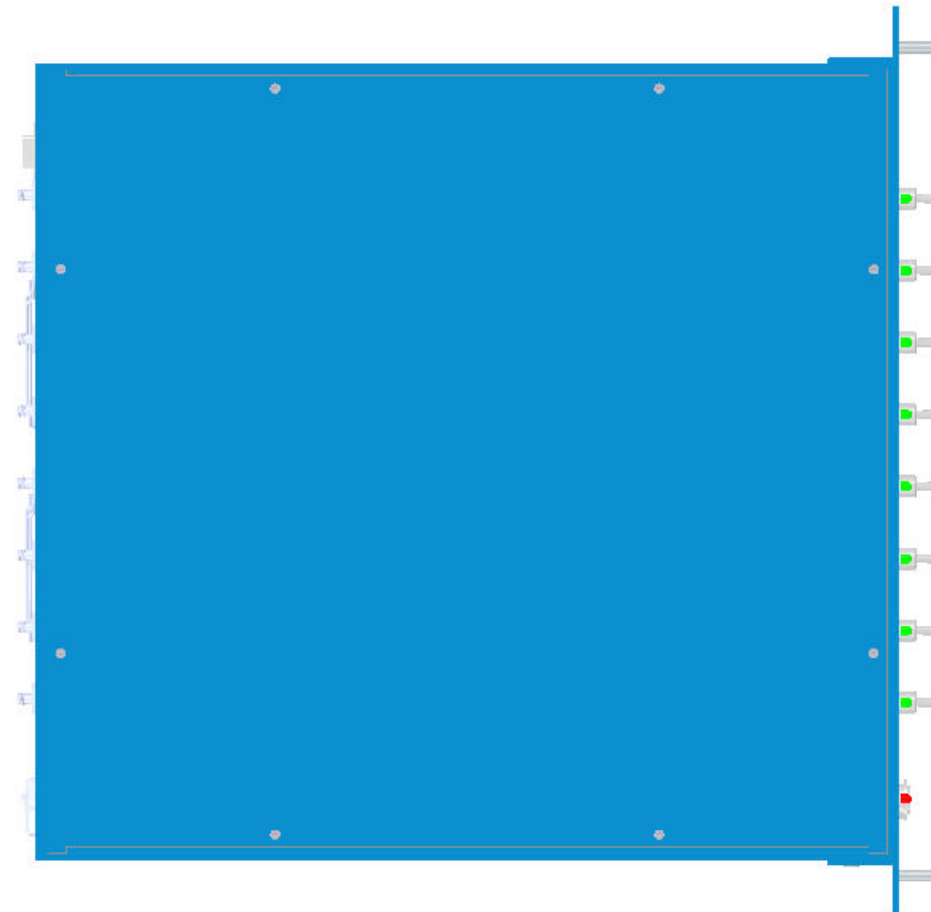
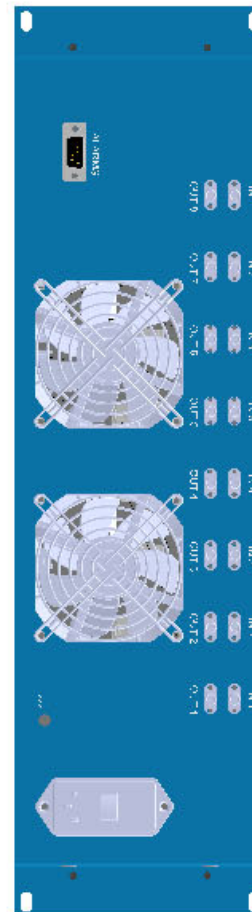
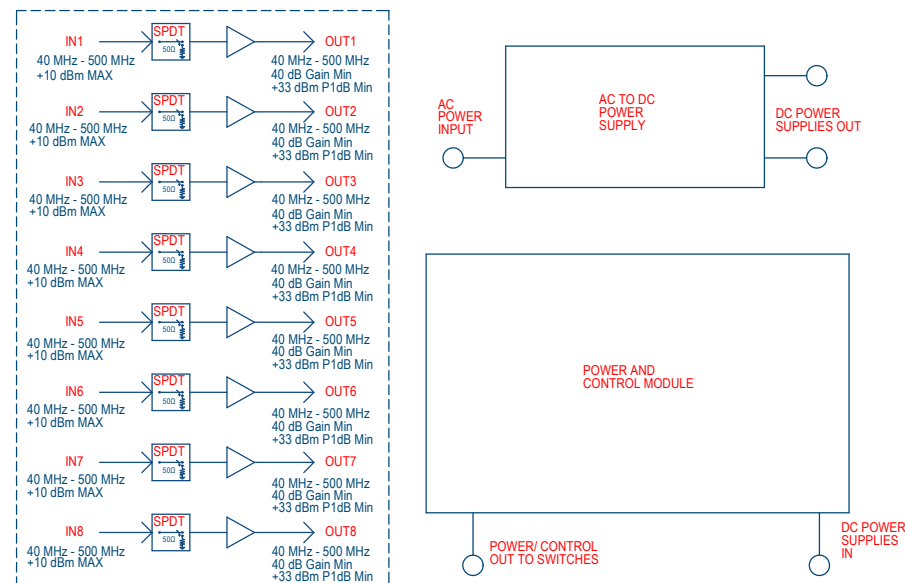
- FREQUENCY RANGE:..... 40 MHz TO 500 MHz
- NUMBER OF CHANNELS:..... 8 (8 INPUTS, 8 OUTPUTS)
- MAXIMUM INPUT POWER:..... +10 dBm
- GAIN (WITH 0 dB ATTENUATION):..... 38 dB MINIMUM, 40 dB TYP
- OUTPUT P1dB:..... +32 dBm MINIMUM, 33 dBm TYP
- TOGGLE SWITCH ACTIVATION:..... TOGGLE SWITCH UP = RF ON
- FAN AND TEMPERATURE ALARM:..... TTL OUTPUT AND RED LED
- INPUT SPDT SWITCH:..... THROUGH OR INPUT TERMINATED INTO 50 OHM
- CONNECTORS:..... RF IN/ OUT: SMA FEMALE
- POWER SUPPLY:..... 100-240 VAC 50/60 Hz
- SIZE:..... 3U 19" RACK MOUNT CHASSIS 20" DEEP MAXIMUM
- FINISH:..... POWDER COATED BLUE



ENVIRONMENTAL RATINGS:

- TEMPERATURE:..... 10°C TO +30°C (OPERATING)

CONCEPTUAL BLOCK DIAGRAM:



PMI CONFIDENTIAL AND PROPRIETARY

NOTE: SPECIFICATIONS WILL VARY OVER TEMPERATURE
 NOTE: THE ABOVE SPECIFICATIONS ARE SUBJECT TO CHANGE OR REVISION

| APPROVALS | | DATE | TITLE | | | |
|---|-------------|----------|----------------------------------|--------------|----------|------|
| DRAWN | M.LAULIS | 9/9/2025 | OUTLINE | | | |
| REDRAWN | | | PA-LPN-40-50M500M-5-35DBM-SFF-X8 | | | |
| ISSUED | | | SIZE | FSCM NO. | DWG NO. | REV. |
| | | | B | 05XQ0 | 27052320 | A1 |
| UNLESS OTHERWISE SPECIFIED DIMENSIONS ARE IN INCHES TOLERANCES ARE: | | | SCALE | SHEET 1 OF 1 | | |
| FRACTIONS | DECIMALS | ANGLES | 1:8 | | | |
| ± | .XX ± 0.02 | ± | | | | |
| | .XXX ± 0.01 | | | | | |

Quantic PMI
 PLANNAR MONOLITHICS
 7309-A GROVE ROAD FREDERICK MARYLAND 21704 USA
 TEL: (301) 662-5019, FAX: (301) 662-1731
 WEB: WWW.QUANTICPMI.COM, EMAIL: SALES@QUANTICPMI.COM
 ISO 9001 CERTIFIED