

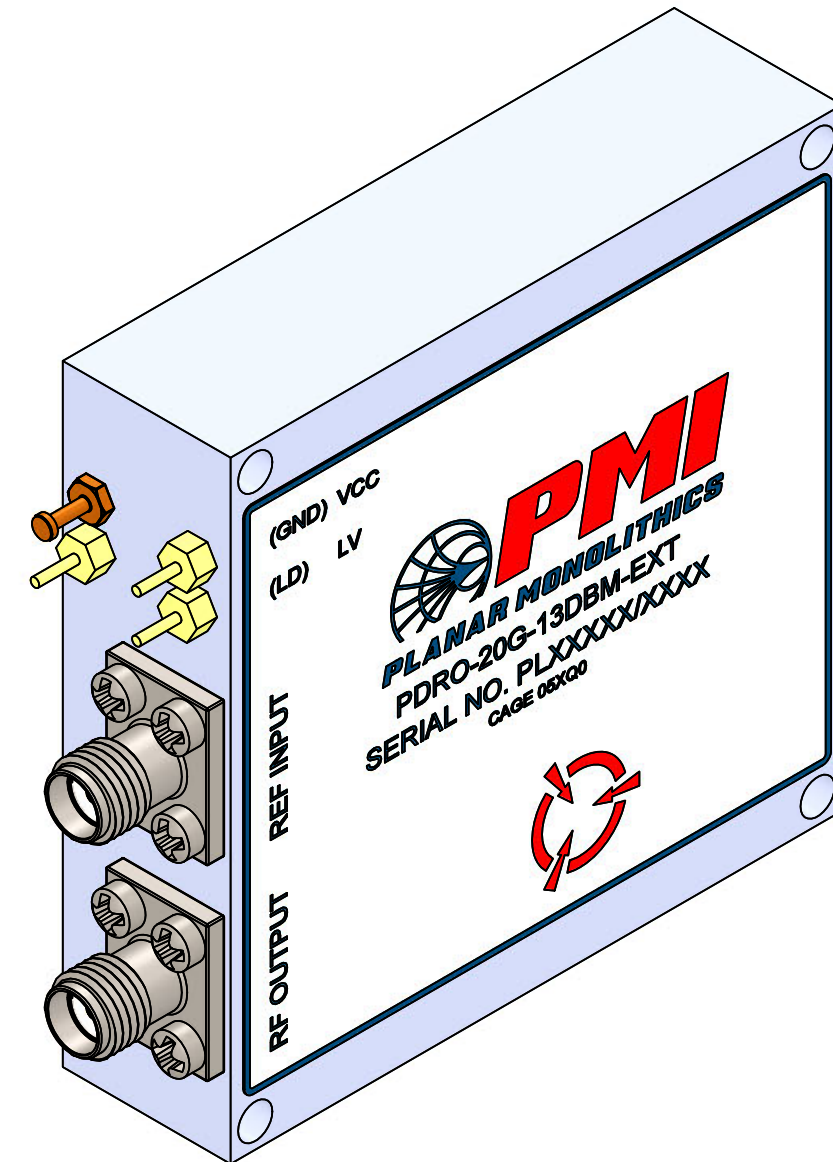
ZONE	REV.	DESCRIPTION	DATE	APPROVED
	A1	ORIGINAL RELEASE	12/11/2025	

DESCRIPTION:

PMI MODEL NUMBER PDRO-20G-13DBM-EXT IS A PDRO WITH AN OUTPUT FREQUENCY OF 20 GHz AND A MINIMUM OUTPUT LEVEL OF +13 dBm.

SPECIFICATIONS:

- OUTPUT FREQUENCY:..... 20 GHz
- REFERENCE FREQUENCY:..... 100 MHz (SINEWAVE) EXTERNAL
- INPUT LEVEL:..... +3 TO +13 dBm
- OUTPUT LEVEL:..... +13 dBm MIN.
- SPURIOUS:..... -70 dBc MAX
- HARMONICS:..... -20 dBc MAX
- SUB-HARMONICS:..... -60 dBc MAX
- LOAD VSWR:..... 1:1.5 MAX
- PHASE NOISE:..... -80 dBc/Hz MAX @ 100Hz
 (REF INPUT ≥ 8 dBm @ 25°C) -104 dBc/Hz MAX @ 1 kHz
 -113 dBc/Hz MAX @ 10 kHz
 -113 dBc/Hz MAX @ 100 kHz
 -130 dBc/Hz MAX @ 1 MHz
- REFERENCE PHASE NOISE:..... -135 dBc/Hz MIN. @ 100 Hz
 -155 dBc/Hz MIN. @ 1 kHz
 -165 dBc/Hz MIN. @ 10 kHz
 -165 dBc/Hz MIN. @ 100 kHz
- FREQUENCY STABILITY:..... SAME AS REFERENCE
- SUPPLY VOLTAGE:..... + 12 TO +15V
- CURRENT:..... 300 mA MAX
- LOCK DETECTOR:..... TTL HIGH - LOCK
- CONNECTORS:..... RF CONNECTOR: 2.92 mm FEMALE
 REF CONNECTOR: SMA FEMALE
- FINISH:..... NICKEL PLATED



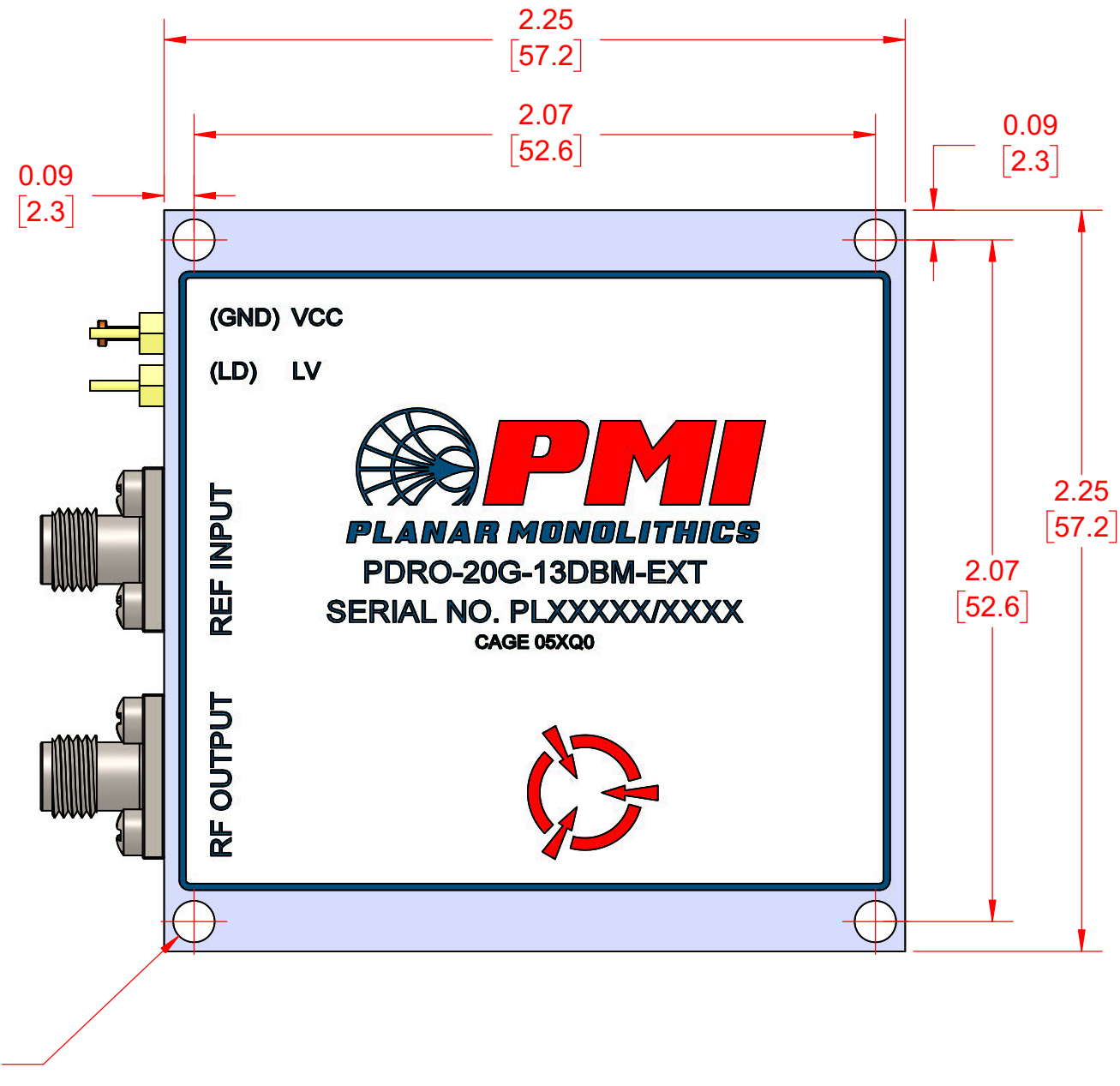
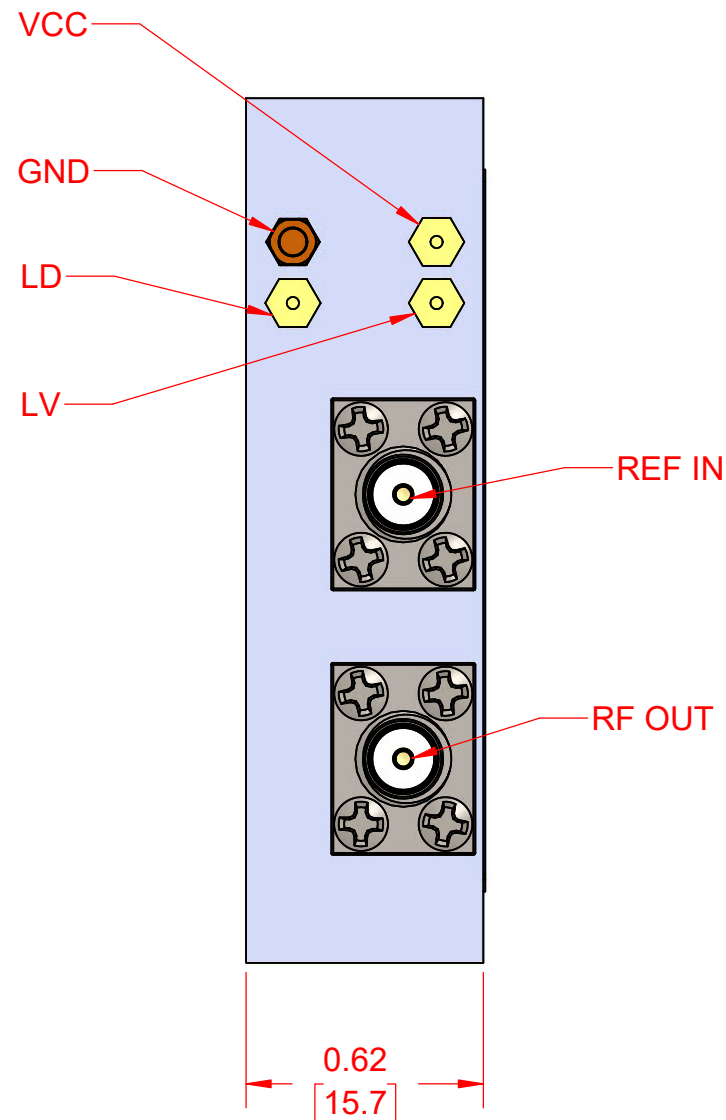
ENVIRONMENTAL RATINGS:

- TEMPERATURE:..... -40°C TO +70°C (OPERATING)
 -55°C TO +125°C (STORAGE)
- HUMIDITY:..... MIL-STD-202, METHOD 103B COND. B
- SHOCK:..... MIL-STD-202, METHOD 213B COND. B
- ALTITUDE:..... MIL-STD-202, METHOD 105C COND. B
- TEMPERATURE CYCLE:..... MIL-STD-202, METHOD 107D COND. A

NOTE: SPECIFICATIONS WILL VARY OVER TEMPERATURE
 NOTE: THE ABOVE SPECIFICATIONS ARE SUBJECT TO CHANGE OR REVISION

PMI CONFIDENTIAL AND PROPRIETARY

UNLESS OTHERWISE SPECIFIED DIMENSIONS ARE IN INCHES TOLERANCES ARE: FRACTIONS DECIMALS ANGLES ± .XX ± 0.02 ± .XXX ± 0.01		APPROVALS	DATE	Quantic PMI <small>PLANAR MONOLITHICS</small> 7309-A GROVE ROAD FREDERICK MARYLAND 21704 USA TEL: (301) 662-5019, FAX: (301) 662-1731 WEB: WWW.QUANTICPMI.COM, EMAIL: SALES@QUANTICPMI.COM ISO 9001 CERTIFIED			
		DRAWN VP REDRAWN	12/11/2025				TITLE OUTLINE PDRO-20G-13DBM-EXT
		ISSUED		SIZE	FSCM NO.	DWG NO.	REV.
				B	05XQ0	27053880	A1
		SCALE 2:1			SHEET 1 OF 2		



PMI
PLANAR MONOLITHICS
 PDRO-20G-13DBM-EXT
 SERIAL NO. PLXXXXX/XXXX
 CAGE 05XQ0

NOTE: SPECIFICATIONS WILL VARY OVER TEMPERATURE
 NOTE: THE ABOVE SPECIFICATIONS ARE SUBJECT TO CHANGE OR REVISION

PMI CONFIDENTIAL AND PROPRIETARY

Quantic PMI PLANAR MONOLITHICS			
<small>7309-A GROVE ROAD FREDERICK MARYLAND 21704 USA TEL: (301) 662-5019, FAX: (301) 662-1731</small>			
<small>ISO 9001 CERTIFIED</small>			
TITLE OUTLINE PDRO-20G-13DBM-EXT			
SIZE B	FSCM NO. 05XQ0	DWG NO. 27053880	REV. A1
SCALE 2:1		SHEET 2 OF 2	