

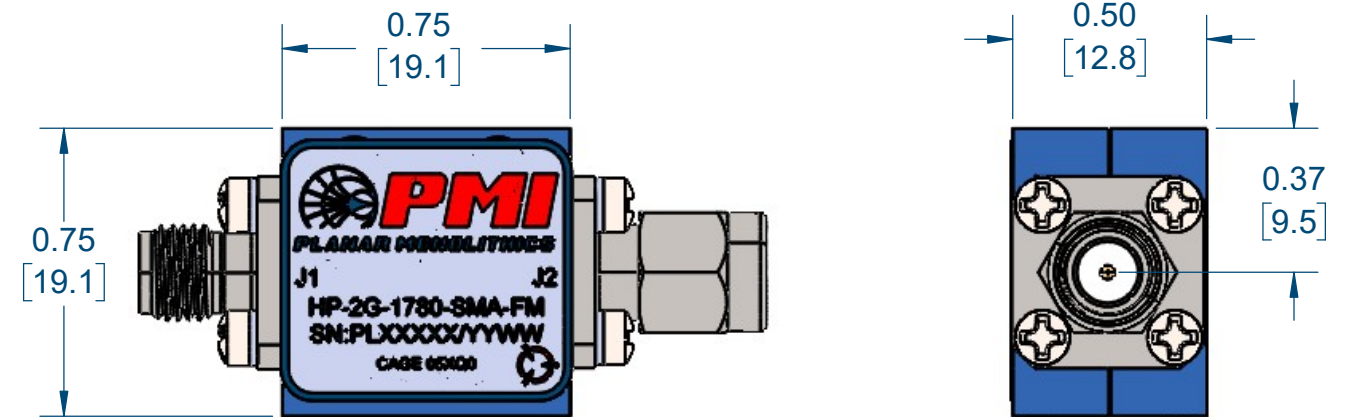
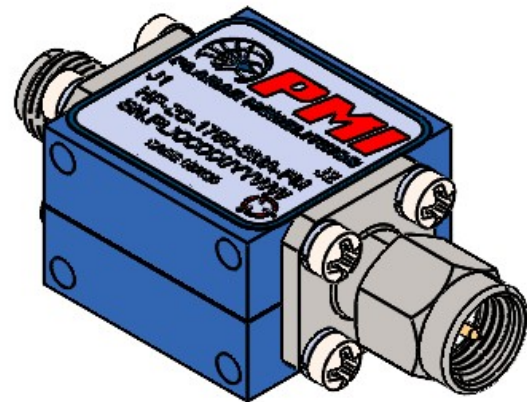
DESCRIPTION:

PMI MODEL NUMBER HP-2G-1780-SMA-FM IS A SUSPENDED HIGHPASS FILTER WITH SMA FEMALE AND MALE CONNECTORS.

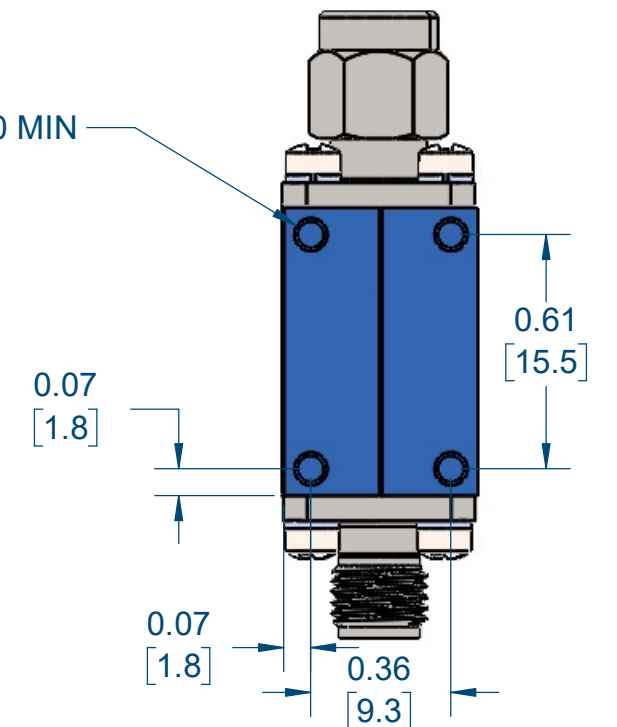
ZONE	REV.	DESCRIPTION	DATE	APPROVED
	A1	ORIGINAL RELEASE	4/27/2026	

SPECIFICATIONS:

- BASSPAND:..... 2000 MHz TO 18000 MHz
- 3dB CUT OFF FREQUENCY:..... 1780 MHz
- INSERTION LOSS (PASSBAND):..... 0.5 dB TYP, 1 dB MAX
- VSWR (PASSBAND):..... 1.5:1 TYP, 2.0:1 MAX
- REJECTION @ 870 MHz:..... 80 dB MIN
- CONNECTORS:..... J1 - SMA FEMALE
J2 - SMA MALE
- FINISH:..... PAINTED BLUE
- WEIGHT:..... 1 OZ TYP.



4X Ø2-56 UNC ∇0.130 MIN



ENVIRONMENTAL RATINGS:

- TEMPERATURE:..... -55°C TO +85°C (OPERATING)
-65°C TO +125°C (STORAGE)
- HUMIDITY:..... MIL-STD-202, METHOD 103 COND. B
- SHOCK:..... MIL-STD-202, METHOD 213 COND. B
- VIBRATION:..... MIL-STD-202, METHOD 204 COND. B
- TEMPERATURE CYCLE:..... MIL-STD-202, METHOD 107 COND. A

PMI CONFIDENTIAL AND PROPRIETARY

NOTE: SPECIFICATIONS WILL VARY OVER TEMPERATURE
NOTE: THE ABOVE SPECIFICATIONS ARE SUBJECT TO CHANGE OR REVISION

UNLESS OTHERWISE SPECIFIED DIMENSIONS ARE IN INCHES TOLERANCES ARE: FRACTIONS DECIMALS ANGLES ± .XX ± 0.02 ± .XXX ± 0.01		APPROVALS		DATE	 7309-A GROVE ROAD FREDERICK MARYLAND 21704 USA TEL: (301) 682-5019, FAX: (301) 682-1751 WEB: WWW.QUANTICPMI.COM, EMAIL: SALES@QUANTICPMI.COM ISO 9001 CERTIFIED	
		DRAWN E. Castillo		4/27/2026		
REDRAWN		ISSUED		TITLE OUTLINE HP-2G-1780-SMA-FM		
SCALE 2:1		SIZE B	FSCM NO. 05XQ0	DWG NO. 27054820	REV. A1	
					SHEET 1 OF 1	