

DESCRIPTION:

PMI model number 5BP900-300-2A-PP is a LC Bandpass filter with PC Pins connectors in and out.

SPECIFICATIONS:

- CENTER FREQUENCY: 900 MHz ± 5 MHz
- 3dB BANDWIDTH: 300 MHz MIN
- VSWR IN THE PASS BAND: 1.5:1 MAX.
- INSERTION LOSS (PASSBAND): NOMINAL
- REJECTION: 5 Section Response

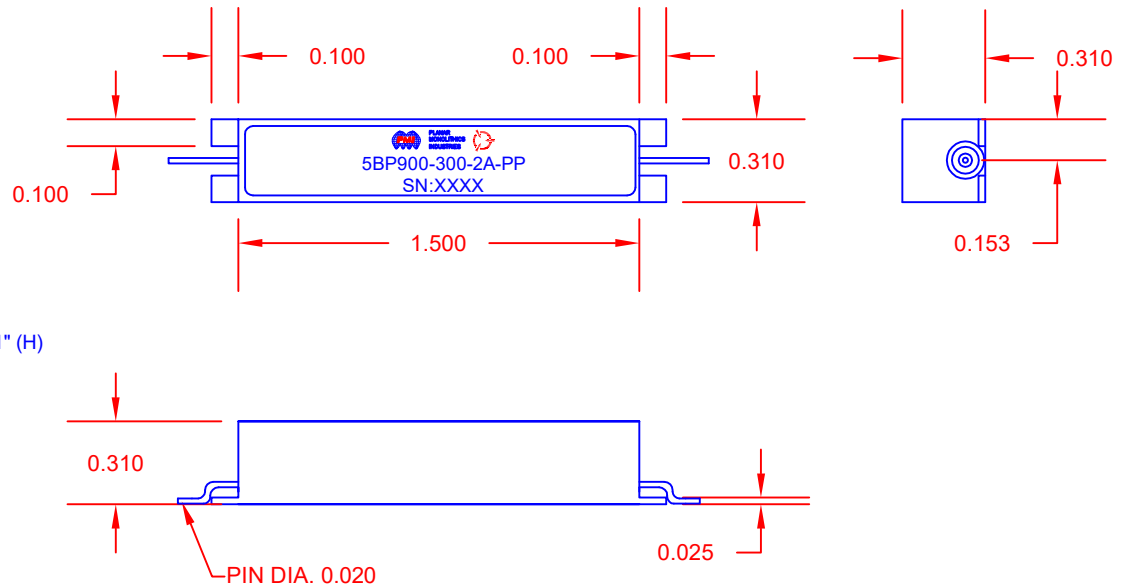
- CONNECTORS: PC PINS IN/OUT
- SIZE: 1.70" (L) x 0.31" (W) x 0.31" (H)
- WEIGHT: 1 OZ. TYP.

ENVIRONMENTAL RATINGS:


- TEMPERATURE: -55°C TO +85°C (OPERATING)
-65°C TO +125°C (STORAGE)
- HUMIDITY: MIL-STD-202F, METHOD 103B COND. B
- SHOCK: MIL-STD-202F, METHOD 213B COND. B
- VIBRATION: MIL-STD-202F, METHOD 204D COND. B
- ALTITUDE: MIL-STD-202F, METHOD 105C COND. B
- SALT FOG: MIL-STD-202F, METHOD 107D COND. A
- FUNGUS: MIL-STD-810C, METHOD 508.2
- TEMPERATURE CYCLE: MIL-STD-202F, METHOD 107

NOTE: THE ABOVE SPECIFICATIONS ARE SUBJECT TO CHANGE OR REVISION

| REVISIONS | | | | |
|-----------|------|------------------|---------|----------|
| ZONE | REV. | DESCRIPTION | DATE | APPROVED |
| | - | ORIGINAL RELEASE | 4/19/00 | |



ALL DIMENSIONS ARE IN INCHES
TOLERANCES:
X.XX ±0.010
X.XXX ±0.005

| | | | | |
|---------------------|---------|--|-------------------|---------------------|
| PART NO. | |  PLANAR MONOLITHICS INDUSTRIES 7311-F GROVE RD FREDERICK, MARYLAND | | |
| APPROVALS | DATE | TITLE | | |
| DRAWN S. PALACIO | 4/19/00 | OUTLINE DRAWING 5BP900-300-2A-PP | | |
| CHECKED | | SIZE A | FSCM NO. 1QJW0 | DWG NO. 155-0148 |
| ISSUED | | SCALE N/A | | REV. - |
| | | | SHEET | 1 OF 1 |