

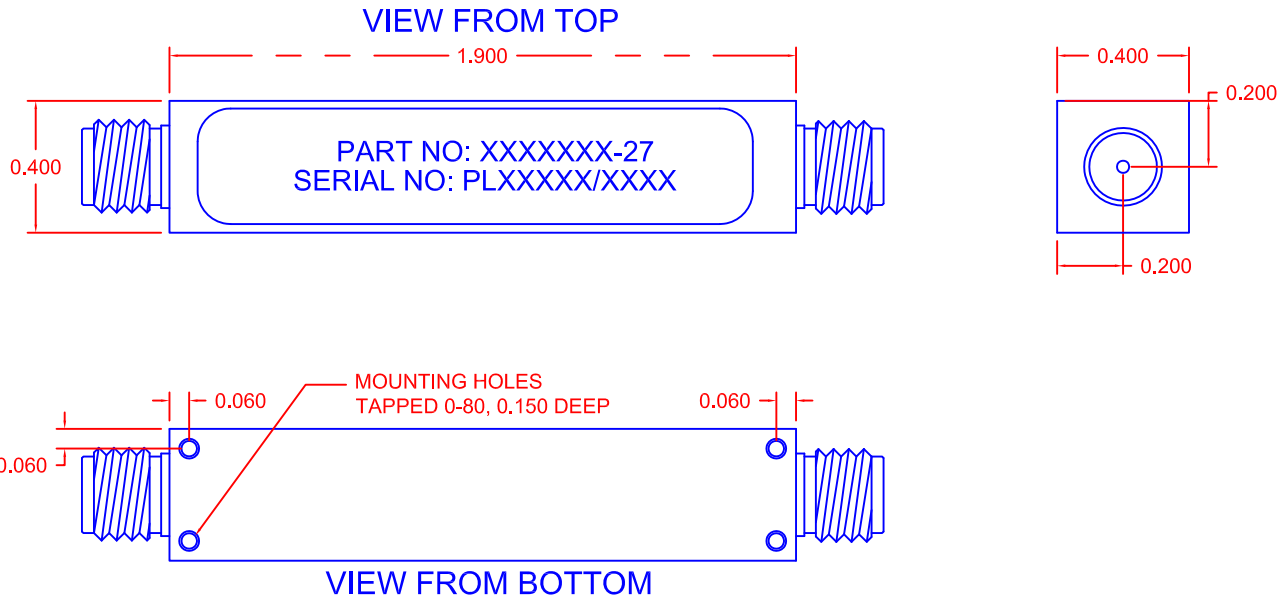
DESCRIPTION:

PMI model number 5CL9D18G-180-CD-SFF is a Combine filter with SMA female connectors in and out. All filters will be machined and silver plated to provide the highest possible Q.

REVISIONS				
ZONE	REV.	DESCRIPTION	DATE	APPROVED
	A1	ORIGINAL RELEASE	11/14/08	
	A2	ECN # 14-0111	7/21/14	

SPECIFICATIONS:

- CENTER FREQUENCY: 9180 MHz Nom.
- 3dB BANDWIDTH: 180 MHz Min.
- VSWR IN THE PASS BAND: 1.5:1 MAX.
- INSERTION LOSS (PASSBAND) 4 dB MAX.
- LOSS RIPPLE (PEAK TO PEAK) 0.5 dB MAX.
- PHASE LINEARITY ±6° MAX.
- REJECTION -70 dB: DC - 7000 MHz
- REJECTION -60 dB: 7800 MHz
- REJECTION -60 dB: 10560 - 11940 MHz
- REJECTION -50 dB: 12000 - 15000 MHz
- CONNECTORS: SMA FEMALE CONNECTORS
- SIZE 1.90" (L) x 0.40" (W) x 0.40" (H)
- WEIGHT 1 OZ. TYP.
- FINISH GRAY EPOXY POLIMIDE COATING
IAW MIL-C-22750, TYPE I OVER EPOXY
POLIMIDE PRIMER IAW MIL-P-23377,
TYPE I, CLASS 1 OR 3.



PMI CONFIDENTIAL AND PROPRIETARY

ENVIRONMENTAL RATINGS:

- TEMPERATURE: -55°C TO +85°C (OPERATING)
-65°C TO +125°C (STORAGE)
- HUMIDITY: MIL-STD-202F, METHOD 103B COND. B
- SHOCK: MIL-STD-202F, METHOD 213B COND. B
- VIBRATION: MIL-STD-202F, METHOD 204D COND. B
- ALTITUDE: MIL-STD-202F, METHOD 105C COND. B
- SALT FOG: MIL-STD-202F, METHOD 107D COND. A
- FUNGUS: MIL-STD-810C, METHOD 508.2
- TEMPERATURE CYCLE: MIL-STD-202F, METHOD 107

NOTE: THE ABOVE SPECIFICATIONS ARE SUBJECT TO CHANGE OR REVISION

ALL DIMENSIONS ARE IN INCHES
TOLERANCES:
X.XX ±0.020
X.XXX ±0.010

PLANAR MONOLITHICS INDUSTRIES, INC.
7311-F GROVE ROAD
FREDERICK, MARYLAND 21704 USA
TEL: 301-662-5019 FAX: 301-662-1731
WEBSITE: www.pmi-rf.com
E-MAIL: sales@pmi-rf.com
ISO 9001 CERTIFIED



APPROVALS		DATE	TITLE			
DRAWN <i>S. PALAECIO</i>		11/14/08	PRODUCT FEATURE 5CL9D18G-180-CD-SFF			
CHECKED			SIZE	FSCM NO.	DWG NO.	REV.
			A	05XQ0	27009843	A2
ISSUED			SCALE	N: S	SHEET	1 OF 1