

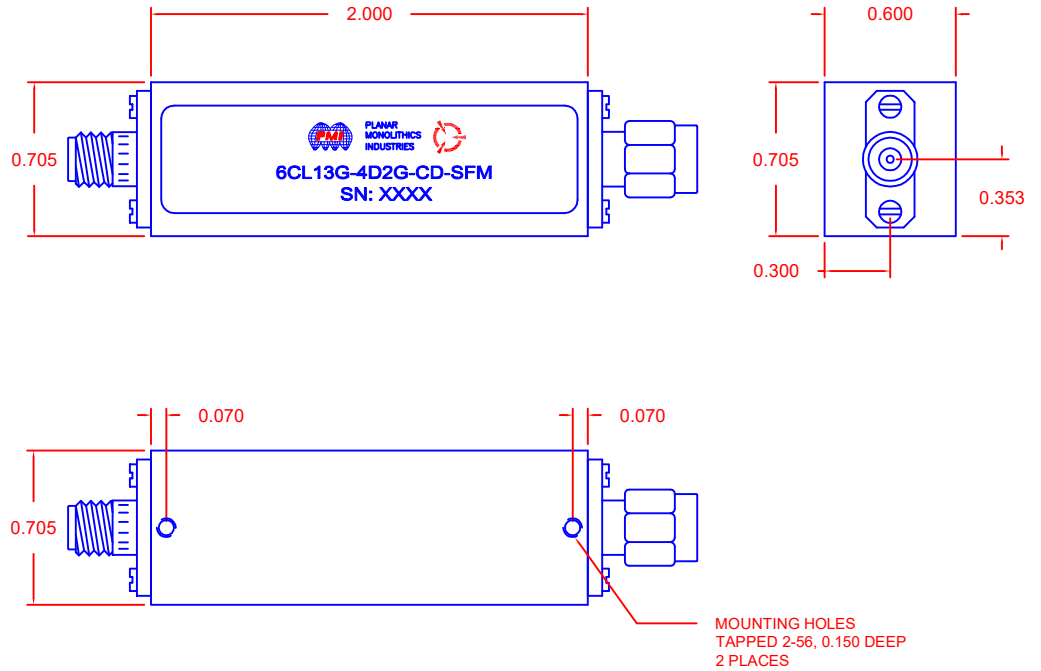
**DESCRIPTION:**

PMI model number 6CL13-4D2G-CD-SFM is a Combine filter with SMA male / female connectors in and out. All filters will be machined and silver plated to provide the highest possible Q.

REVISIONS				
ZONE	REV.	DESCRIPTION	DATE	APPROVED
	-	ORIGINAL RELEASE	12/10/01	

**SPECIFICATIONS:**

- CENTER FREQUENCY: . . . . . 13000 Mhz
- 3dB BANDWIDTH: . . . . . 4200 Mhz
- VSWR IN THE PASS BAND: . . . . . 1.5:1 MAX.
- INSERTION LOSS (PASSBAND) . . . . . <= -4 dB MAX.
- REJECTION: . . . . . 5 POLE RESPONSE
- CONNECTORS: . . . . . SMA FEMALE CONNECTORS
- SIZE . . . . . 2.00" (L) x 0.60" (W) x 0.705" (H)
- WEIGHT . . . . . 1 OZ. TYP.




**ENVIRONMENTAL RATINGS:**

- TEMPERATURE: . . . . . -55°C TO +85°C (OPERATING)  
-65°C TO +125°C (STORAGE)
- HUMIDITY: . . . . . MIL-STD-202F, METHOD 103B COND. B
- SHOCK: . . . . . MIL-STD-202F, METHOD 213B COND. B
- VIBRATION: . . . . . MIL-STD-202F, METHOD 204D COND. B
- ALTITUDE: . . . . . MIL-STD-202F, METHOD 105C COND. B
- SALT FOG: . . . . . MIL-STD-202F, METHOD 107D COND. A
- FUNGUS: . . . . . MIL-STD-810C, METHOD 508.2
- TEMPERATURE CYCLE: . . . . . MIL-STD-202F, METHOD 107

NOTE: THE ABOVE SPECIFICATIONS ARE SUBJECT TO CHANGE OR REVISION

ALL DIMENSIONS ARE IN INCHES  
TOLERANCES:  
X.XX ±0.010  
X.XXX ±0.005

**CONFIDENTIAL AND PROPRIETARY**

PART NO. 155-1022		 PLANAR MONOLITHICS INDUSTRIES 7311-F GROVE RD FREDERICK, MARYLAND	
APPROVALS	DATE	TITLE	
DRAWN <i>RAB</i>	12/10/01	PRODUCT FEATURE 6CL13G-4D2G-CD-SFM	
CHECKED		SIZE	FSCM NO.
ISSUED		A	1QJWO
		DWG NO.	155-1022
		SCALE	N/S
		REV.	-
		SHEET	1 of 1