

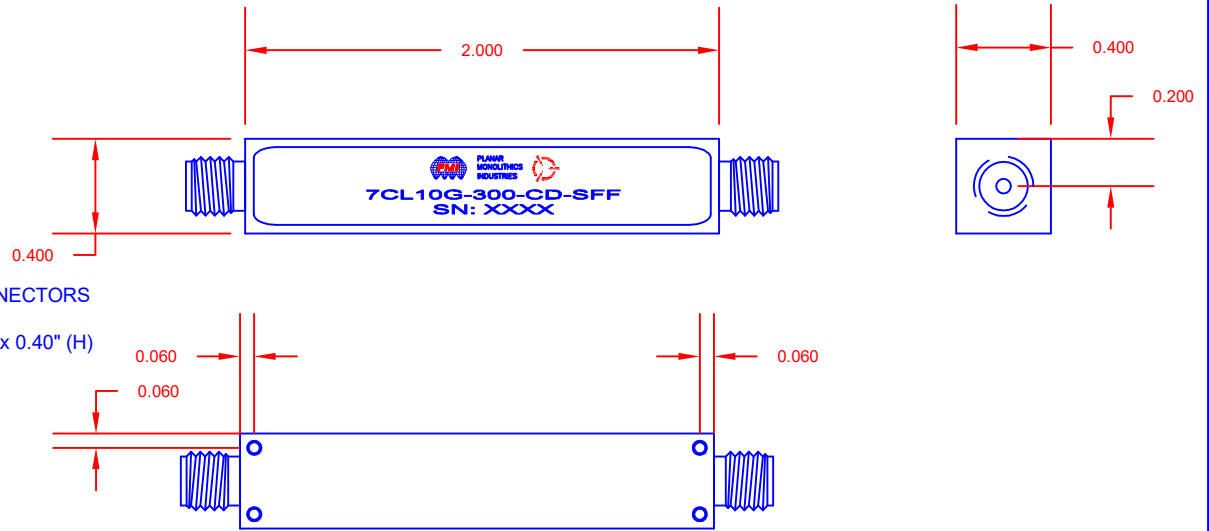
DESCRIPTION:

PMI model number 7CL10G-300-CD-SFF is a Combine filter with SMA female connectors in and out. All filters will be machined and silver plated to provide the highest possible Q.

REVISIONS				
ZONE	REV.	DESCRIPTION	DATE	APPROVED
	-	ORIGINAL RELEASE	6/20/00	

SPECIFICATIONS:

- CENTER FREQUENCY: 10 GHz
- 3dB BANDWIDTH: 300 MHz
- VSWR IN THE PASS BAND: 1.5:1 MAX.
- INSERTION LOSS (PASSBAND) <= 2.5 dB MAX.
- REJECTION FROM DC TO 9350 MHz: -70 dB
- REJECTION FROM 10.5 TO 40 GHz: -65 dB




- CONNECTORS: SMA FEMALE CONNECTORS
- SIZE 2.00" (L) x 0.40" (W) x 0.40" (H)
- WEIGHT 1 OZ. TYP.

ENVIRONMENTAL RATINGS:

- TEMPERATURE: -55°C TO +85°C (OPERATING)
 -65°C TO +125°C (STORAGE)
- HUMIDITY: MIL-STD-202F, METHOD 103B COND. B
- SHOCK: MIL-STD-202F, METHOD 213B COND. B
- VIBRATION: MIL-STD-202F, METHOD 204D COND. B
- ALTITUDE: MIL-STD-202F, METHOD 105C COND. B
- SALT FOG: MIL-STD-202F, METHOD 107D COND. A
- FUNGUS: MIL-STD-810C, METHOD 508.2
- TEMPERATURE CYCLE: MIL-STD-202F, METHOD 107

ALL DIMENSIONS ARE IN INCHES
 TOLERANCES:
 X.XX ±0.010
 X.XXX ±0.005

PART NO. PF60-180		 PLANAR MONOLITHICS INDUSTRIES 7311-F GROVE RD FREDERICK, MARYLAND	
APPROVALS	DATE	TITLE	
DRAWN S. PALACIO	6/20/00	OUTLINE DRAWING 7CL10G-300-CD-SFF	
CHECKED		SIZE A	FSCM NO. 1QJWO
ISSUED		DWG NO. 155-0244	REV. -
		SCALE N/A	SHEET 1 OF 1

NOTE: THE ABOVE SPECIFICATIONS ARE SUBJECT TO CHANGE OR REVISION