

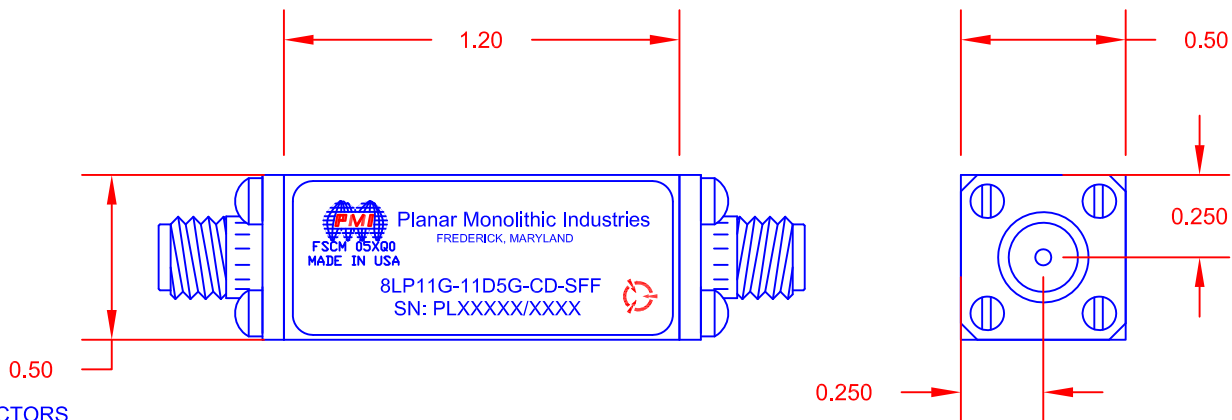
DESCRIPTION:

PMI model number 8LP11G-11D5G-CD-SFF is a Microstrip Lowpass filter with SMA female connectors in/ out. Offers very high Q with broadband performance in a silver plated CNC machined housing. This unit has very low loss and is ideal for eliminating broadband harmonics.

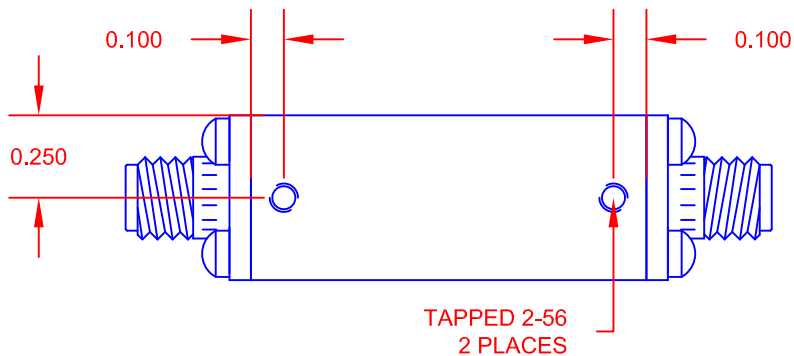
REVISIONS				
ZONE	REV.	DESCRIPTION	DATE	APPROVED
	A1	ORIGINAL RELEASE	11/11/08	
	A2	ECN # 13-0193	11/01/13	
	B1	ECN # 14-0042	03/03/14	

SPECIFICATIONS:

- PASSBAND: 10.5 GHz to 11.5 GHz - 11000 MHz
- 3dB BANDWIDTH: 10.5 GHz to 11.5 GHz - 11100MHz TYP.
- VSWR IN THE PASS BAND: 10.5 GHz to 11.5 GHz - 1.5:1 MAX.
- INSERTION LOSS (PASSBAND) 10.5 GHz to 11.5 GHz - 2.0 dB TYP.
- REJECTION AT 11.5 GHz: 10.5 GHz to 11.5 GHz - -15 dB MIN.
- REJECTION @ 12.2 GHz: 10.5 GHz to 11.5 GHz - -50 dB MIN.
- REJECTION @ 18 GHz: 10.5 GHz to 11.5 GHz - -70 dB MIN.



- CONNECTORS: SMA FEMALE CONNECTORS
- SIZE: 1.20" (L) x 0.50" (W) x 0.50" (H)
- WEIGHT: 1 OZ. TYP.




ALL DIMENSIONS ARE IN INCHES
TOLERANCES:
X.XX ±0.020
X.XXX ±0.010

PMI CONFIDENTIAL AND PROPRIETARY

ENVIRONMENTAL RATINGS:

- TEMPERATURE: -55°C TO +85°C (OPERATING)
-65°C TO +125°C (STORAGE)
- HUMIDITY: MIL-STD-202F, METHOD 103B COND. B
- SHOCK: MIL-STD-202F, METHOD 213B COND. B
- VIBRATION: MIL-STD-202F, METHOD 204D COND. B
- ALTITUDE: MIL-STD-202F, METHOD 105C COND. B
- SALT FOG: MIL-STD-202F, METHOD 107D COND. A
- FUNGUS: MIL-STD-810C, METHOD 508.2
- TEMPERATURE CYCLE: MIL-STD-202F, METHOD 107

NOTE: THE ABOVE SPECIFICATIONS ARE SUBJECT TO CHANGE OR REVISION

PART NO.		 PLANAR MONOLITHICS INDUSTRIES 7311-F GROVE ROAD FREDERICK, MARYLAND	
APPROVALS	DATE	TITLE	
DRAWN S PALACIO	11/11/08	OUTLINE DRAWING 8LP11G-11D5G-CD-SFF	
CHECKED		SIZE	FSCM NO.
ISSUED		A	05XQ0
		DWG NO.	27010024
		SCALE	N/A
		SHEET	1 OF 1
		REV.	B1