

PMI MODEL APD-2-2G8G-SFF-30W-1 IS A 2 TO 8 GHz POWER DIVIDER FEATURING PRECISE PHASE AND AMPLITUDE BALANCE WHILE MAINTAINING LOW INSERTION LOSS.

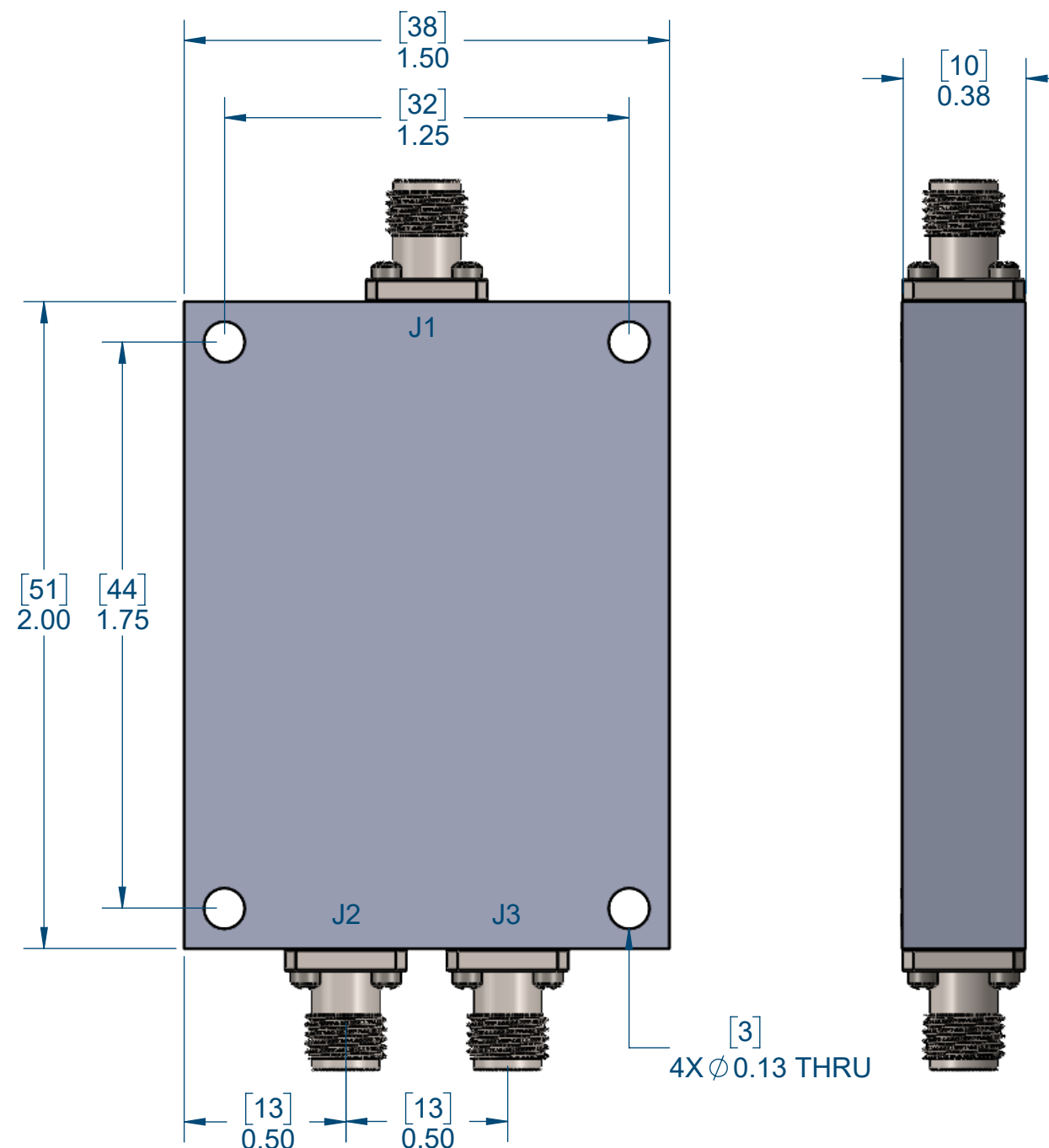
ZONE	REV.	DESCRIPTION	DATE	APPROVED
	-	PRELIMINARY	4/27/26	

SPECIFICATIONS:

- FREQUENCY RANGE:..... 2 TO 8 GHz
- INSERTION LOSS:..... 0.5 dB MAX
- ISOLATION:..... 20 dB MIN
- VSWR:..... 1.20:1 MAX
- AMPLITUDE BALANCE:..... 0.2 dB MAX
- PHASE BALANCE:..... 2° MAX
- POWER HANDLING:..... FORWARD: 30 W MAX
REVERSE: 1 W MAX
- IMPEDANCE:..... 50 Ω
- CONNECTORS:..... SMA FEMALE
- FINISH:..... PAINTED BLUE
- WEIGHT:..... 30 g TYP


ENVIRONMENTAL RATINGS:

- TEMPERATURE:..... -55°C TO +85°C (OPERATING)
-55°C TO +125°C (STORAGE)
- ALTITUDE:..... MIL-STD-202, METHOD 105C COND. B
- HUMIDITY:..... UP TO 95% NON-CONDENSING
- SHOCK:..... MIL-STD-202, METHOD 213B COND. B
- VIBRATION:..... MIL-STD-202, METHOD 204D COND. B
- TEMPERATURE CYCLE:..... MIL-STD-202, METHOD 107D COND. A



NOTE: SPECIFICATIONS WILL VARY OVER TEMPERATURE
NOTE: THE ABOVE SPECIFICATIONS ARE SUBJECT TO CHANGE OR REVISION

PMI CONFIDENTIAL AND PROPRIETARY

APPROVALS DRAWN AG REDRAWN ISSUED		DATE	 7309-A GROVE ROAD FREDERICK, MARYLAND 21704 USA TEL: (301) 662-5019, FAX: (301) 662-1731 WEB: WWW.QUANTICPMI.COM, EMAIL: SALES@QUANTICPMI.COM ISO 9001 CERTIFIED			
		4/27/26				
UNLESS OTHERWISE SPECIFIED DIMENSIONS ARE IN INCHES TOLERANCES ARE: FRACTIONS .XX ± 0.02 DECIMALS .XXX ± 0.01 ANGLES ±		TITLE	SIZE	FSCM NO.	DWG NO.	REV.
		PRELIMINARY OUTLINE APD-2-2G8G-SFF-30W-1	B	05XQ0	PRELIMINARY	-
		SCALE 2:1				SHEET 1 OF 1