

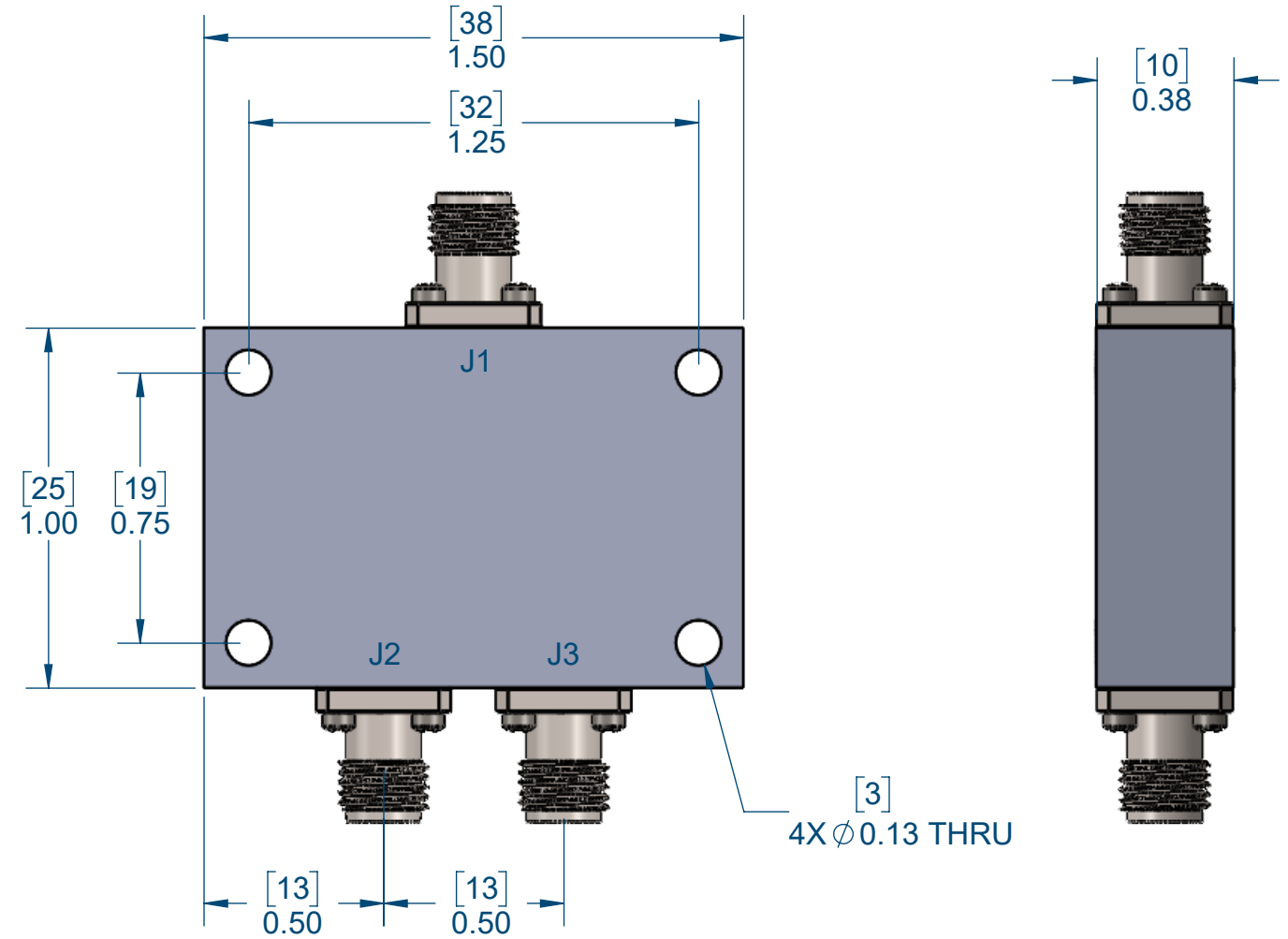
**DESCRIPTION:**

PMI MODEL APD-2-6G18D5G-SFF-30W IS A 6 TO 18.5 GHz POWER DIVIDER FEATURING PRECISE PHASE AND AMPLITUDE BALANCE WHILE MAINTAINING LOW INSERTION LOSS.

ZONE	REV.	DESCRIPTION	DATE	APPROVED
	-	PRELIMINARY	4/27/26	

**SPECIFICATIONS:**

- FREQUENCY RANGE:..... 6 TO 18.5 GHz
- INSERTION LOSS:..... 0.6 dB MAX
- ISOLATION:..... 20 dB MIN
- VSWR:..... 1.30:1 MAX
- AMPLITUDE BALANCE:..... 0.2 dB MAX
- PHASE BALANCE:..... 5° MAX
- POWER HANDLING:..... FORWARD: 30 W MAX  
REVERSE: 1 W MAX
- IMPEDANCE:..... 50 Ω
- CONNECTORS:..... SMA FEMALE
- FINISH:..... PAINTED BLUE
- WEIGHT:..... 30 g TYP



**ENVIRONMENTAL RATINGS:**

- TEMPERATURE:..... -55°C TO +85°C (OPERATING)  
-55°C TO +125°C (STORAGE)
- ALTITUDE:..... MIL-STD-202, METHOD 105C COND. B
- HUMIDITY:..... UP TO 95% NON-CONDENSING
- SHOCK:..... MIL-STD-202, METHOD 213B COND. B
- VIBRATION:..... MIL-STD-202, METHOD 204D COND. B
- TEMPERATURE CYCLE:..... MIL-STD-202, METHOD 107D COND. A

PMI CONFIDENTIAL AND PROPRIETARY

NOTE: SPECIFICATIONS WILL VARY OVER TEMPERATURE  
NOTE: THE ABOVE SPECIFICATIONS ARE SUBJECT TO CHANGE OR REVISION

UNLESS OTHERWISE SPECIFIED DIMENSIONS ARE IN INCHES TOLERANCES ARE: FRACTIONS .XX ± 0.02 ANGLES ± DECIMALS .XXX ± 0.01		APPROVALS	DATE	 7309-A GROVE ROAD FREDERICK, MARYLAND 21704 USA TEL: (301) 662-5019, FAX: (301) 662-1731 WEB: WWW.QUANTICPMI.COM, EMAIL: SALES@QUANTICPMI.COM ISO 9001 CERTIFIED			
		DRAWN <b>AG</b> REDRAWN	4/27/26				TITLE
		ISSUED		SIZE	FSCM NO.	DWG NO.	REV.
				B	05XQ0	PRELIMINARY	-
		SCALE 2:1			SHEET 1 OF 1		