

DESCRIPTION

PMI MODEL: APD-8-0R518G-SFF-MS IS AN EIGHT WAY POWER DIVIDER OPERATING OVER THE 0.5 TO 18.0 GHz FREQUENCY RANGE. THIS MODEL HAS A MAXIMUM INSERTION LOSS OF 2.5 dB FROM 2.0 TO 8.0 GHz AND 5.2 dB MAXIMUM BETWEEN 8.0 TO 18.0 GHz. THE COMPACT 5.0" x 3.7" x .43" HOUSING IS OUTFITTED WITH SMA FEMALE CONNECTORS.

SPECIFICATIONS

● FREQUENCY RANGE: ---	0.5 TO 18.0 GHz
● INSERTION LOSS (OVER THEORETICAL POWER SPLIT OF 9 dB): -----	0.5 to 1 GHz – 2.0 dB Max. 1 to 2 GHz – 2.2 dB Max. 2 to 8 GHz - 2.5 dB Max. 8 to 18 GHz - 5.2 dB Max.
● INSERTION LOSS FLATNESS (REF LINE OF BEST FIT):-	0.5 to 18 GHz - ± 1 dB Max. 1.0 to 18 GHz - ± 1 dB Max. 2.0 to 18 GHz - ± 1 dB Max.
● VSWR (INPUT): -----	0.5 to 1 GHz – 2.5:1 Typ. 1 to 2 GHz – 2.6:1 Max. 2 to 8 GHz - 2.1:1 Max. 8 to 18 GHz - 2.0:1 Typ.
● VSWR (OUTPUT): -----	0.5 to 1 GHz – 1.5:1 Max. 1 to 2 GHz – 1.5:1 Max. 2 to 8 GHz - 1.7:1 Typ. 8 to 18 GHz - 1.8:1 Typ.

● ISOLATION: -----	0.5 to 1 GHz – 10 dB Typ. 1 to 2 GHz – 10 dB Typ. 2 to 8 GHz - 20 dB Typ. 8 to 18 GHz - 20 dB Typ.
● AMPLITUDE BALANCE: --	0.5 to 1 GHz - ± 0.5 dB Max. 1 to 2 GHz - ± 0.5 dB Max. 2 to 8 GHz - ± 0.5 dB Max. 8 to 18 GHz - ± 1.2 dB Max.
● PHASE BALANCE: -----	0.5 to 1 GHz – ± 3° Max. 1 to 2 GHz – ± 3° Max. 2 to 8 GHz - ± 4° Max. 8 to 18 GHz - ± 10° Max.
● AVERAGE POWER: -----	25 WATTS (INTO 1.2:1 LOAD VSWR)
● CONNECTORS: -----	SMA FEMALE REMOVABLE
● SIZE: -----	5.00" x 3.70" x 0.43" [127.1 x 94.0 x 10.9 mm] EXCLUDING CONNECTORS
● FINISH: -----	PAINTED BLUE

REVISIONS				
ZONE	REV.	DESCRIPTION	DATE	APPROVED
	-	Preliminary	11/9/20	

ENVIRONMENTAL RATINGS

- TEMPERATURE: ----- -55 °C TO +85 °C (OPERATING)
-65 °C TO +125 °C (STORAGE)
- HUMIDITY: ----- MIL-STD-202, METHOD 103B COND. B
- SHOCK: ----- MIL-STD-202, METHOD 213B COND. B
- VIBRATION: ----- MIL-STD-202, METHOD 204D COND. B
- ALTITUDE: ----- MIL-STD-202, METHOD 105C COND. B
- TEMPERATURE CYCLE: -- MIL-STD-202, METHOD 107D COND. A

NOTE: SPECIFICATIONS WILL VARY OVER OPERATING TEMPERATURE
NOTE: THE ABOVE SPECIFICATIONS ARE SUBJECT TO CHANGE OR REVISION

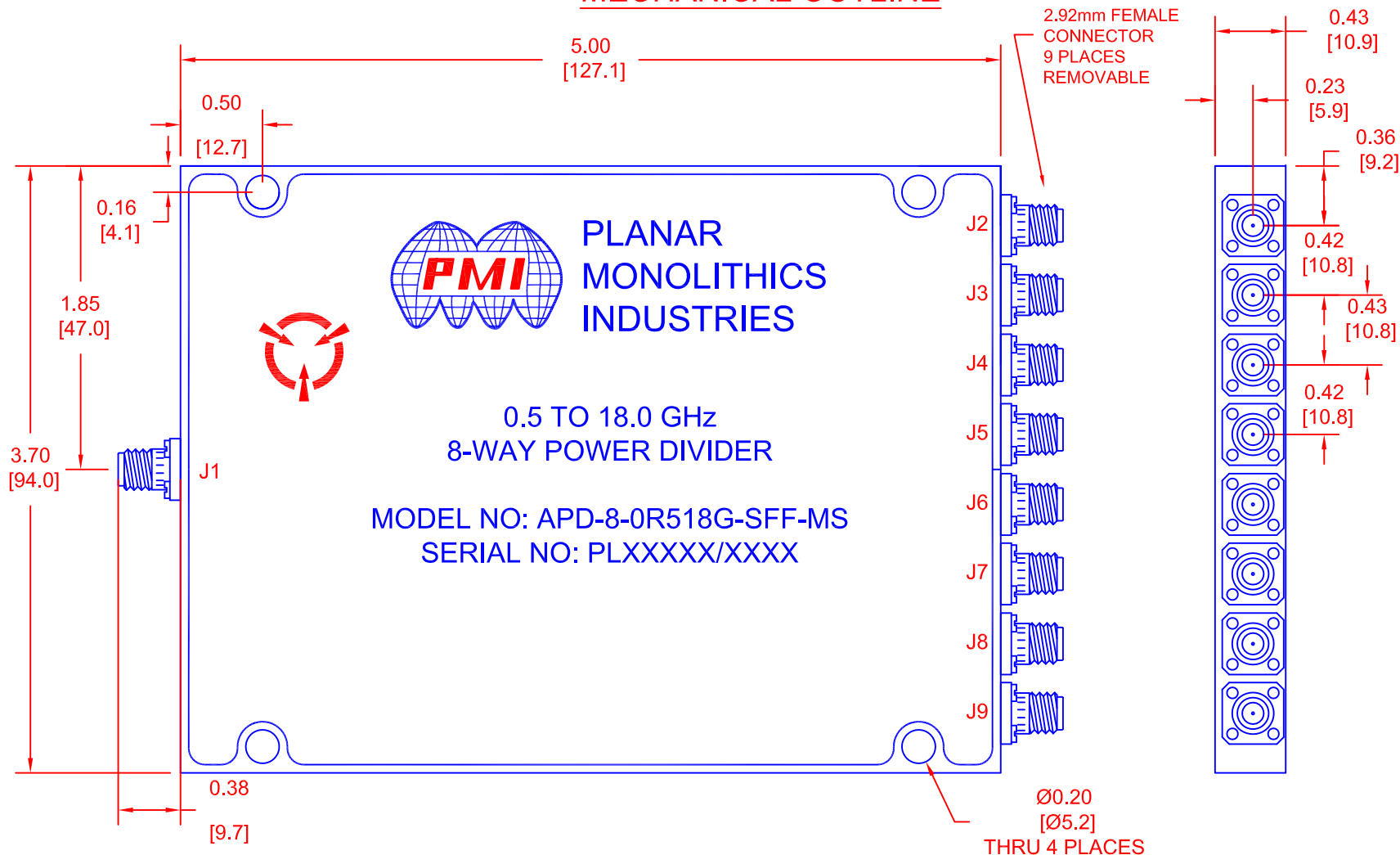
PMI CONFIDENTIAL AND PROPRIETARY

PLANAR MONOLITHICS INDUSTRIES, INC.
7311-F GROVE ROAD
FREDERICK, MARYLAND 21704 USA
TEL: (301)-662-5019, FAX: (301)-662-1731
WEB: www.pmi-rf.com, EMAIL: sales@pmi-rf.com
ISO 9001 CERTIFIED



APPROVALS		DATE	TITLE		
DRAWN		10/22/20	PRODUCT FEATURE		
CHECKED			APD-8-0R518G-SFF-MS		
ISSUED			0.5 to 18.0 GHz Eight Way Power Divider		
SIZE	FSCM NO.	DWG NO.	REV.		
A	05XQ0	Preliminary	-		
SCALE	N:S	SHEET	1 OF 3		

MECHANICAL OUTLINE



ALL DIMENSIONS ARE IN mm [INCH]
TOLERANCES:
X.XX ± 0.508 [0.020]
X.XXX ± 0.254 [0.010]

NOTE: SPECIFICATIONS WILL VARY OVER OPERATING TEMPERATURE
NOTE: THE ABOVE SPECIFICATIONS ARE SUBJECT TO CHANGE OR REVISION

PMI CONFIDENTIAL AND PROPRIETARY

PLANAR MONOLITHICS INDUSTRIES, INC.

7311-F GROVE ROAD

FREDERICK, MARYLAND 21704 USA

TEL: (301)-662-5019, FAX: (301)-662-1731

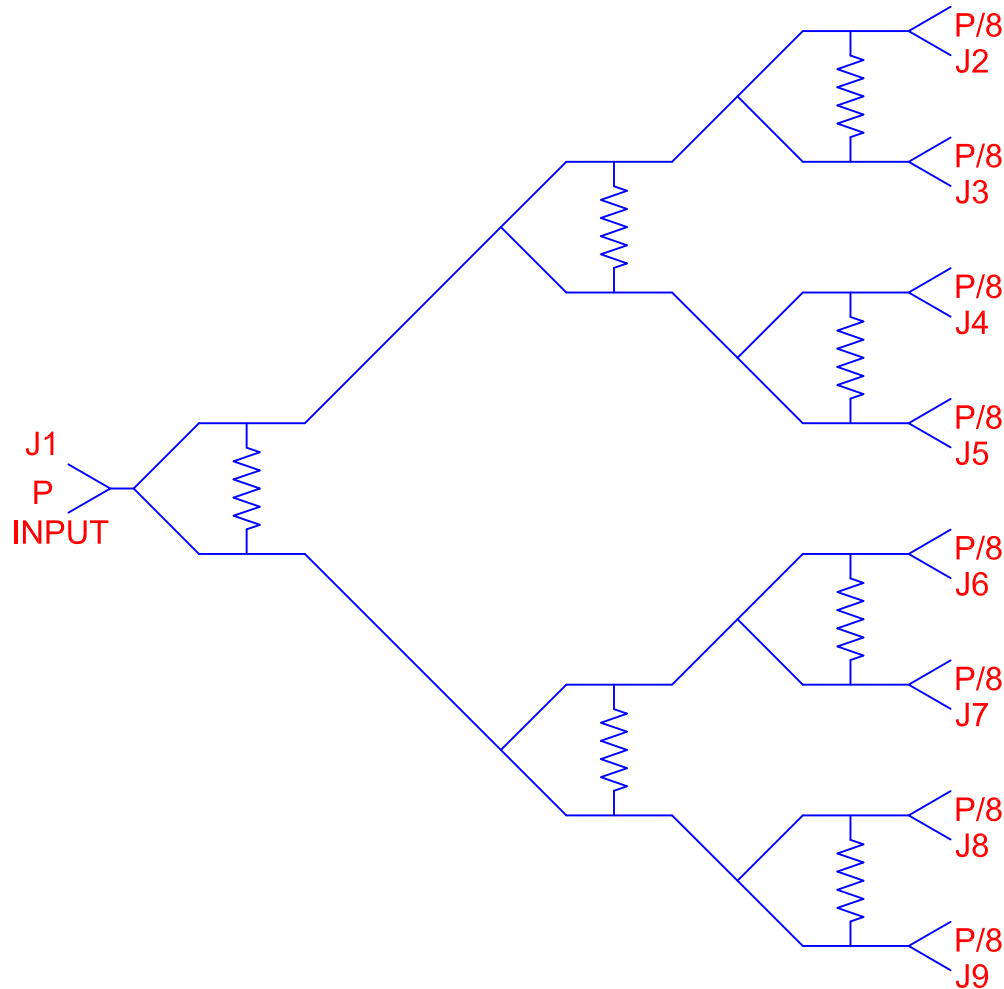
WEB: www.pmi-rf.com, EMAIL: sales@pmi-rf.com

ISO 9001 CERTIFIED



APPROVALS		DATE	TITLE			
DRAWN <i>JMS</i>		10/22/20	PRODUCT FEATURE APD-8-0R518G-SFF-MS 0.5 to 18.0 GHz Eight Way Power Divider			
CHECKED			SIZE A	FSCM NO. 05XQ0	DWG NO. Preliminary	REV. -
ISSUED			SCALE N:S		SHEET 2 OF 3	

BLOCK DIAGRAM



ALL DIMENSIONS
ARE IN mm [INCH]
TOLERANCES:
X.XX ± 0.508 [0.020]
X.XXX ± 0.254 [0.010]

PLANAR MONOLITHICS INDUSTRIES, INC.
7311-F GROVE ROAD
FREDERICK, MARYLAND 21704 USA
TEL: (301)-662-5019, FAX: (301)-662-1731
WEB: www.pmi-rf.com, EMAIL: sales@pmi-rf.com
ISO 9001 CERTIFIED



NOTE: SPECIFICATIONS WILL VARY OVER OPERATING TEMPERATURE
NOTE: THE ABOVE SPECIFICATIONS ARE SUBJECT TO CHANGE OR REVISION

PMI CONFIDENTIAL AND PROPRIETARY

APPROVALS		DATE	TITLE			
DRAWN		10/22/20	PRODUCT FEATURE			
<i>JM3E</i>			APD-8-0R518G-SFF-MS			
CHECKED			0.5 to 18.0 GHz Eight Way Power Divider			
ISSUED			SIZE	FSCM NO.	DWG NO.	REV.
			A	05XQ0	Preliminary	-
			SCALE	N:S	SHEET	3 OF 3