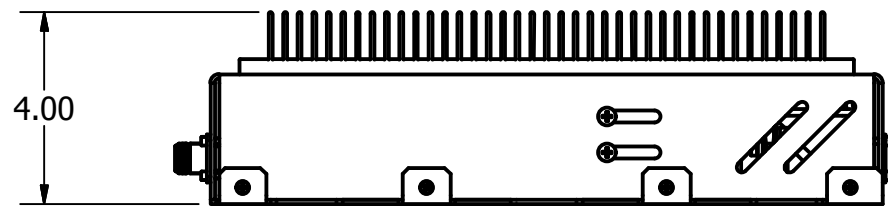
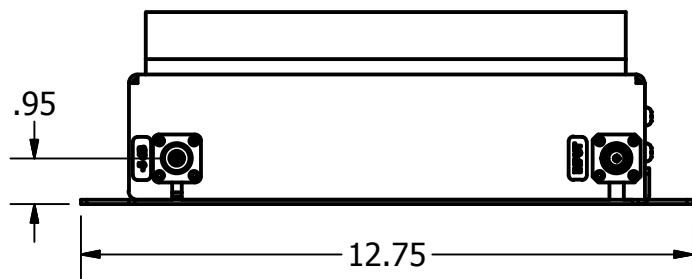
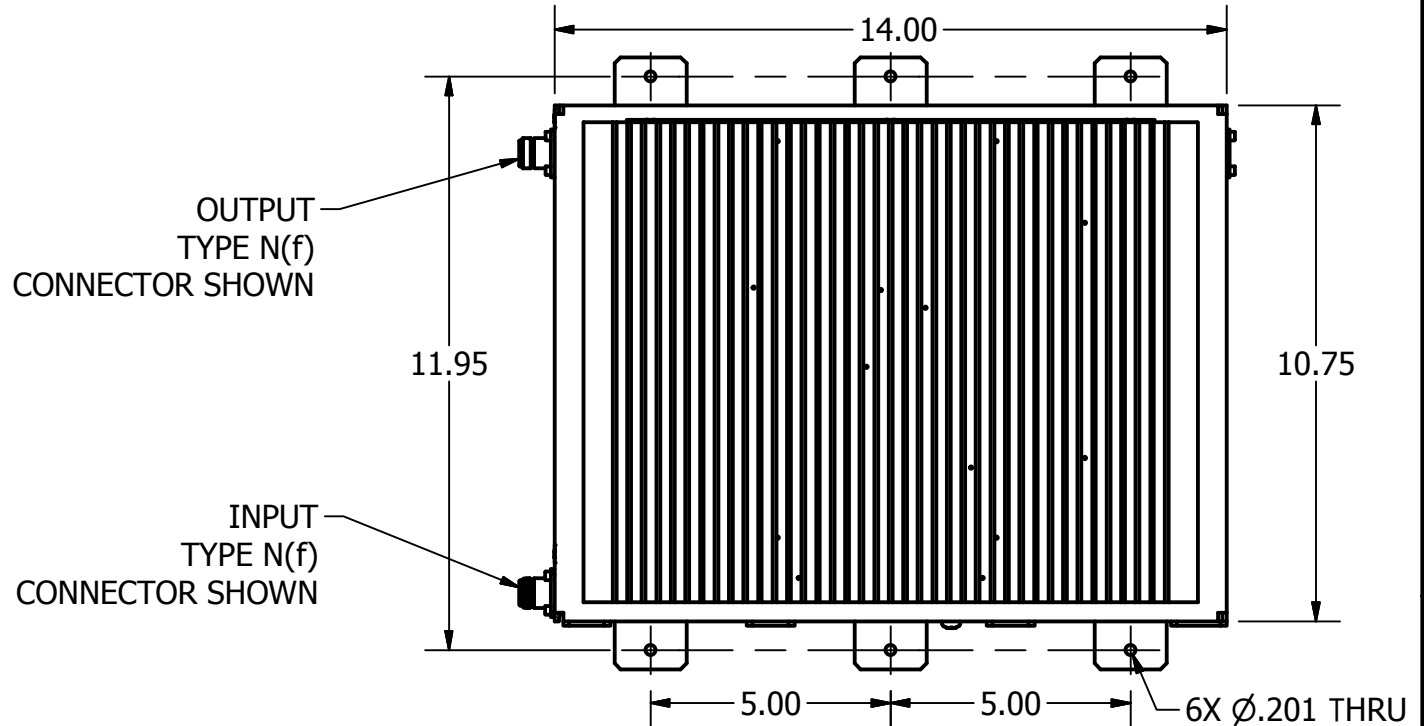


REVISION HISTORY				
ZONE	REV	DESCRIPTION	DATE	APPROVED
	1	ENGINEERING RELEASE CORRECTED SPECIFICATION	10/13/2025 2/9/2026	DM TB



DRAWN mclaughlind 4/5/2023

ALL DIMENSIONS DERIVED FROM THE ELECTRONIC FILE ON THE SAME PLANE SHOULD BE WITHIN ± 0.005 FROM TRUE POSITION, UNLESS OTHERWISE NOTED

PROPERTY OF R&D MICROWAVES LLC



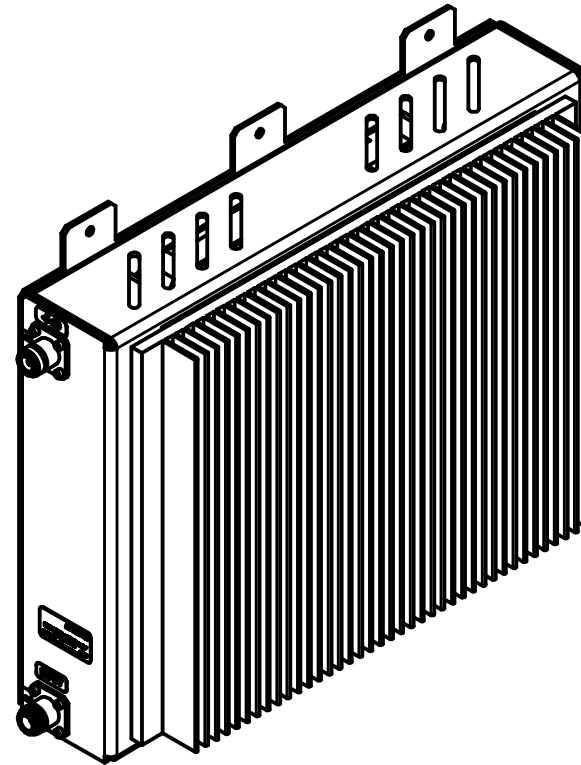
TITLE
HIGH POWER LOW PIM ATTENUATOR, 400-7125 MHz

SIZE A	DWG NO AT-A97-XX-OLrev1	REV 1
-----------	----------------------------	----------

SCALE 1:4 SHEET 1 OF 2


SPECIFICATION		
FREQUENCY:	400-7125 MHz	
ATTENUATION:	3 dB	6 dB
RETURNLOSS IN		
0.4-0.8 GHz:	11dB	10dB
0.8-5.0 GHz:	15dB	14dB
5.0-7.125 GHz:	10dB	10dB
ACCURACY (INCLUDES SENSITIVITY)		
0.4-0.8 GHz:	3.4±0.4dB	6.5±1.5dB
0.8-4.0 GHz:	3.6±0.6dB	6.5±1.0dB
4.0-7.125 GHz:	3.8±0.8dB	7±1.5dB
FREQUENCY SENSITIVITY		
0.4-6.0 GHz:	±0.8dB	±2.0dB
POWER*:	200 W MAX	
PIM:	-160dBc	
CONNECTORS:	4.3-10 OR TYPE N (female)	

* REVERSE POWER 5 W



CONNECTOR TABLE		
CONNECTOR	PART NUMBER (SAME SIDE)	PART NUMBER (OPPOSITE SIDES)
TYPE N	AT-A97-XXN	AT-A97A-XXN
4.3-10	AT-A97-XXD43	AT-A97A-XXD43

DRAWN mclaughlind	4/5/2023
ALL DIMENSIONS DERIVED FROM THE ELECTRONIC FILE ON THE SAME PLANE SHOULD BE WITHIN ±0.005 FROM TRUE POSITION, UNLESS OTHERWISE NOTED	
PROPERTY OF R&D MICROWAVES LLC	

		
TITLE HIGH POWER LOW PIM ATTENUATOR, 400-7125 MHz		
SIZE A	DWG NO AT-A97-XX-OLrev1	REV 1
SCALE 1 : 4	SHEET 2 OF 2	