

**DESCRIPTION:**

PFC model number CL3G-1G-CD-SS is a Comblin Bandpass filter with SMA female connectors in and out. Offerin a broadband rejection. All filters will be machined and silver plated to provide the highest possible Q.

**SPECIFICATIONS:**

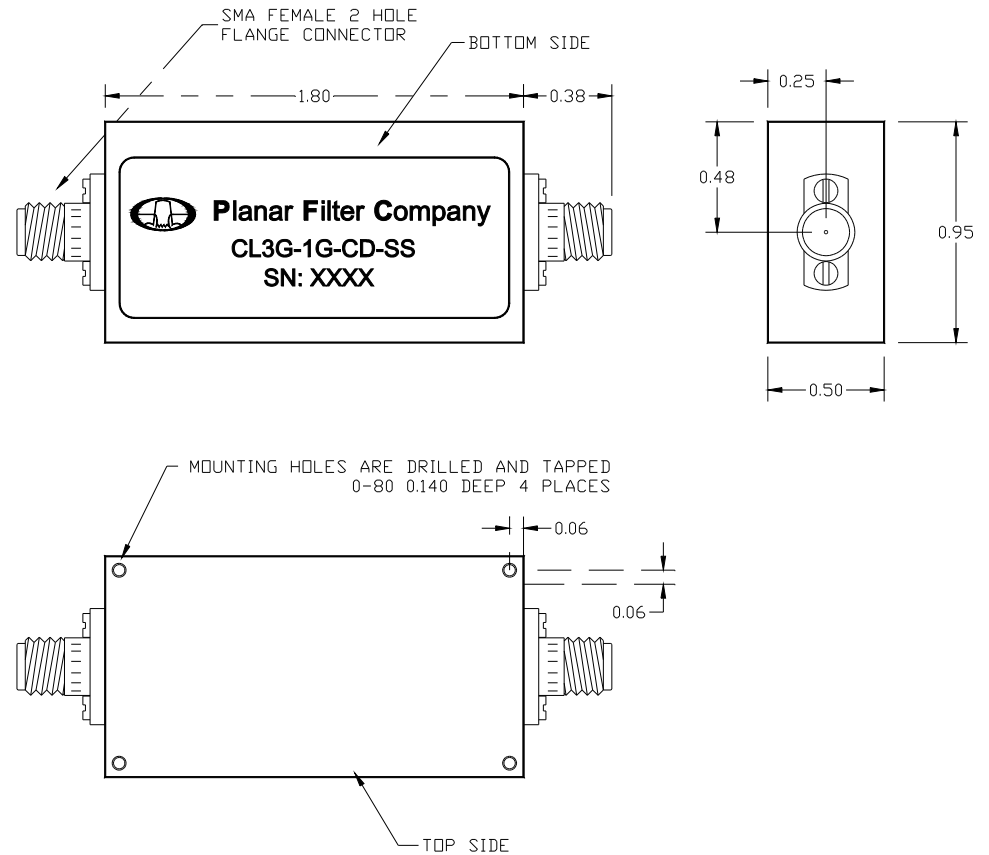
- CENTER FREQUENCY: ..... 3000 MHz
- 3 dB BANDWIDTH: ..... 1.5:1 MAX.
- INSERTION LOSS (PASSBAND) ..... 0.5 dB MAX.
- REJECTION AT 0.5 TO 1.5 GHz: ..... 30 dB MIN.
- REJECTION AT 6 TO 7 GHz: ..... 40 dB MIN.
- REJECTION AT 9 TO 19 GHz: ..... 50 dB MIN.
- AMPLITUDE MATCHING: ..... ±0.15 dB
- CONNECTORS: ..... SMA FEMALE CONNECTORS
- SIZE ..... 1.8" (L) x 0.95" (W) x 0.50" (H)
- WEIGHT ..... 1 OZ. TYP.

**ENVIRONMENTAL RATINGS:**

- TEMPERATURE: ..... -55°C TO +85°C (OPERATING)  
..... -65°C TO +125°C (STORAGE)
- HUMIDITY: ..... MIL-STD-202F, METHOD 103B COND. B
- SHOCK: ..... MIL-STD-202F, METHOD 213B COND. B
- VIBRATION: ..... MIL-STD-202F, METHOD 204D COND. B
- ALTITUDE: ..... MIL-STD-202F, METHOD 105C COND. B
- SALT FOG: ..... MIL-STD-202F, METHOD 107D COND. A
- FUNGUS: ..... MIL-STD-810C, METHOD 508.2
- TEMPERATURE CYCLE: ..... MIL-STD-202F, METHOD 107

NOTE: THE ABOVE SPECIFICATIONS ARE SUBJECT TO CHANGE OR REVISION

REVISIONS			DATE	APPROVED
ZONE	REV.	DESCRIPTION		
	-	ORIGINAL RELEASE	2/10/00	



ALL DIMENSIONS ARE IN INCHES  
TOLERANCES:  
XXX ±0.010  
XXXX ±0.005

PART NO. PF60-022		<b>Planar Filter Company</b> 7311G Grove Road, Fredrick, Maryland		
APPROVALS	DATE	TITLE		
DRAWN K SIMMS	2/10/00	OUTLINE DRAWING CL3G-1G-CD-SS		
CHECKED		SIZE A	FSCM NO. OZXZ8	DWG NO. 155-0053
ISSUED		SCALE N/A		REV. -
				SHEET 1 OF 1