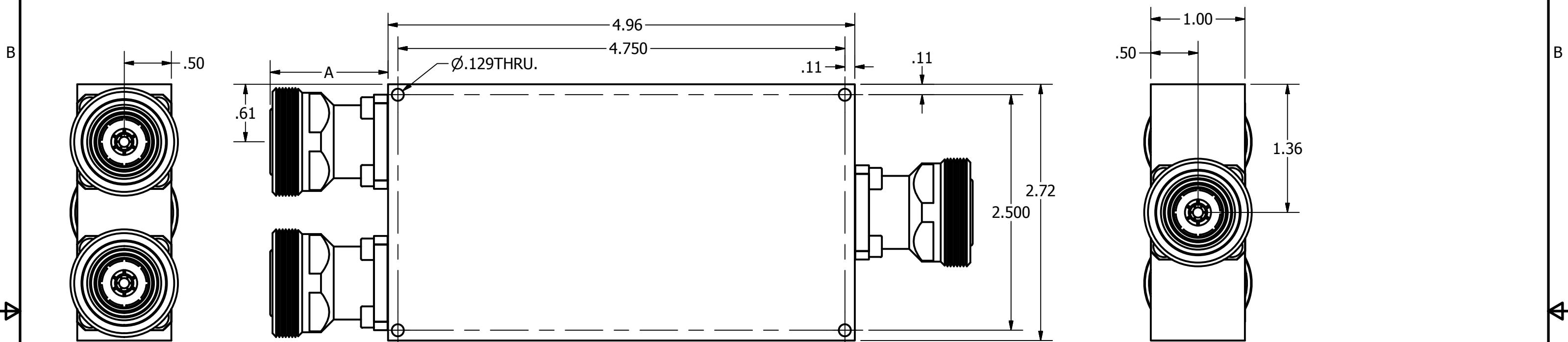


D2-A81XX

INDICATES SPLIT PORTS CONNECTOR
 INDICATES COMMON PORT CONNECTOR
 OR ALL PORTS WHEN ONLY ONE LETTER

REVISION HISTORY				
ZONE	REV	DESCRIPTION	DATE	APPROVED
	1	ENGINEERING RELEASE	9/26/17	TB
	2	DCN 170023 ADDED PART NUMBER PORT CONFIGURATION	10/9/2017 11/2/17	TB TB
	3	UPDATED PERFORMANCE SPECIFICATION	2/8/2018	TB

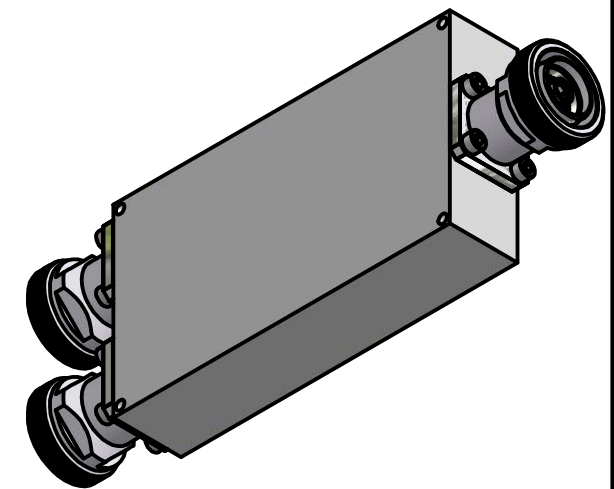



SPECIFICATIONS

MODEL#	D2-A81N	D2-A81D43	D2-A81D
CONNECTORS	N female	DIN 4.3/10 female	DIN 7/16 female
FREQUENCY	380-2900 MHz	380-2900 MHz	380-2900 MHz
VSWR IN	1.35:1	1.35:1	1.35:1
VSWR OUT	1.2:1	1.2:1	1.2:1
INSERTION LOSS	0.9 dB	0.9 dB	0.9 dB
ISOLATION	20 dB (380-2900 MHz)	20 dB (380-2900 MHz)	20 dB (380-2900 MHz)
REVERSE POWER	1750 mW	1750 mW	1750 mW
PIM 2*10W @1900	150	150	150
DIMENTION 'A'	0.965	1.125	1.255
CONN MATERIALS & FINISH	CONTACT: SILVER PLATED BERYLLIUM-COPPER BODY: TRI-ALLOY (Cu, Sn,Zn) PLATED BRASS	CONTACT: TRI-ALLOY PLATED BERYLLIUM-COPPER BODY: TRI-ALLOY (Cu, Sn,Zn) PLATED BRASS	CONTACT: SILVER PLATED BERYLLIUM-COPPER BODY: TRI-ALLOY (Cu, Sn,Zn) PLATED BRASS

HOLE TOLERANCE: X.XXX ±.003
 LENGTH TOLERANCE: X.XXX ±.010
 LENGTH TOLERANCE: X.XX ±.030
 THREADS SPECIFICATION AFTER PLATING
 PROPERTY OF R&D MICROWAVES LLC

HOUSING AND COVER
 MATERIAL: ALUMINUM 6061-T6
 FINISH: RoHS CLEAR CHEM FILM
 PER MIL-DTL-5541 TYPE 2 CLASS 3,
 REMOVE ALL BURRS.



DRAWN ThomasB	9/26/2017	 R&D Microwaves LLC, USA
CHECKED		
QA		TITLE
MFG		DIVIDER 2-WAY 380-2900 MHZ N, 4.3/10,7/16, SMA
APPROVED		SIZE B
		DWG NO D2-A81X-0LREV3
		SCALE
		REV 3
		SHEET 1 OF 1