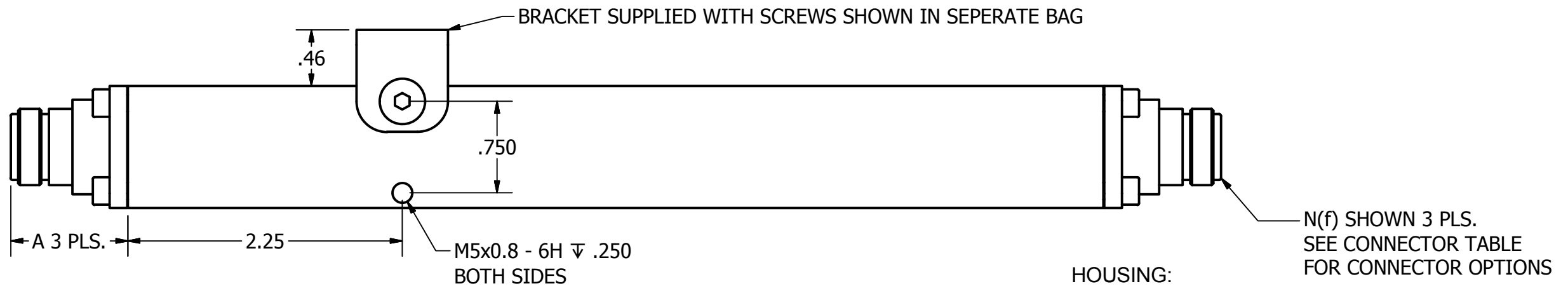
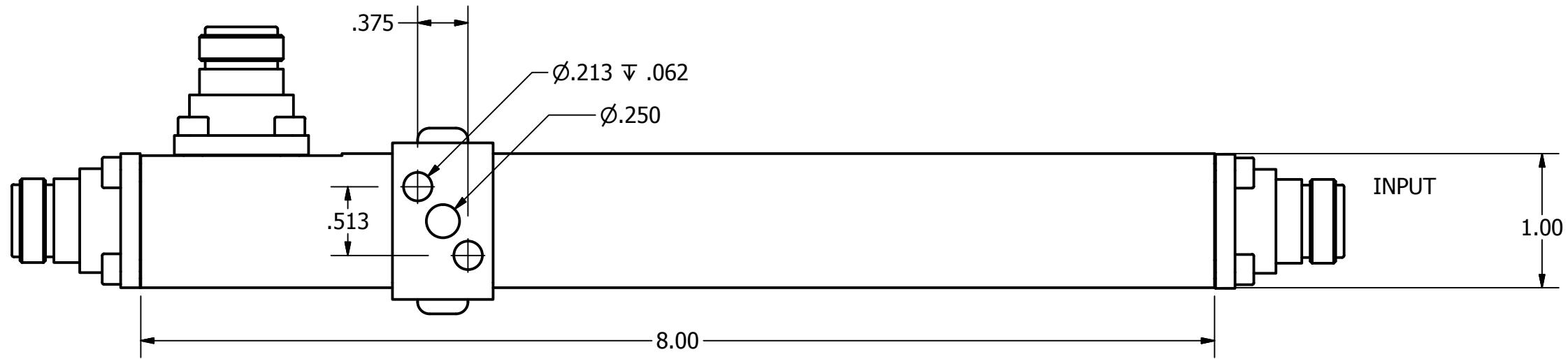
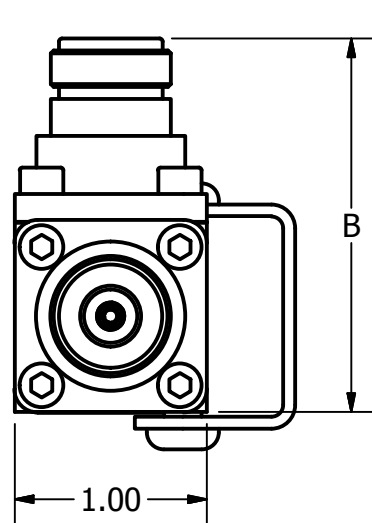


| REVISION HISTORY | | | | |
|------------------|-----|------------------------------------|------------|----------|
| ZONE | REV | DESCRIPTION | DATE | APPROVED |
| | 4 | UPDATED INSERTION LOSS SPEC | 4/12/2021 | DM |
| | 5 | REMOVED INSERTION LOSS SPEC | 8/25/2023 | DM |
| | 6 | UPDATED MAX PATH LOSS, AND AMP BAL | 11/17/2023 | TB |




HOUSING:
MATERIAL: ALUMINIUM 6061-T6
FINISH: RoHS CLEAR CHEM FILM
PER MIL-DTL-5541 TYPE 2 CLASS 3,
CONNECTORS : BRASS TRIPLATE FINISH

N(f) SHOWN 3 PLS.
SEE CONNECTOR TABLE
FOR CONNECTOR OPTIONS

| CONNECTOR TYPE | N | DIN 7/16 | DIN 4.3/10 | DIN 4.1/9.5 |
|----------------|---------|----------|------------|-------------|
| PART NUMBER | D2-A97N | D2-A97D | D2-A97D43 | D2-A97D41 |
| A | 0.96 | 1.27 | 1.13 | 1.13 |
| B | 1.95 | 2.26 | 2.12 | 2.12 |

HOLE TOLERANCE: X.XXX ±.003
LENGTH TOLERANCE: X.XXX ±.010
LENGTH TOLERANCE: X.XX ±.030
THREADS SPECIFICATION AFTER PLATING
PROPERTY OF R&D MICROWAVES LLC

| ELECTRICAL SPECIFICATIONS | | |
|---------------------------|-----------------|----------------|
| PARAMETER | VALUE | HIGH BAND |
| FREQUENCY RANGE : | 0.350 - 2.7 GHZ | 2.7 - 3.85 GHZ |
| MAX PATH LOSS : | 3.5 dB | 4.0 dB |
| MAX INPUT VSWR: | 1.3:1 | 1.35:1 |
| MAX INPUT POWER: | 500 WATTS | 500 WATTS |
| MAX PEAK INPUT POWER : | 3 K WATTS | 3 K WATTS |
| AMPLITUDE BALANCE : | 1 dB MAX | 1.5 dB MAX |
| MAX PIM : | -160 dBc | -160 dBc |

| | | |
|------------------|------------|--|
| DRAWN ThomasB | 12/18/2018 |  R&D Microwaves LLC, USA |
| CHECKED | | |
| QA | | TITLE |
| MFG | | SPECIFICATION DRAWING FOR D2-A97 |
| APPROVED | | SIZE B |
| | | DWG NO D2-A97X-OLrev6 |
| | | SCALE |
| | | REV 6 |
| | | SHEET 1 OF 1 |