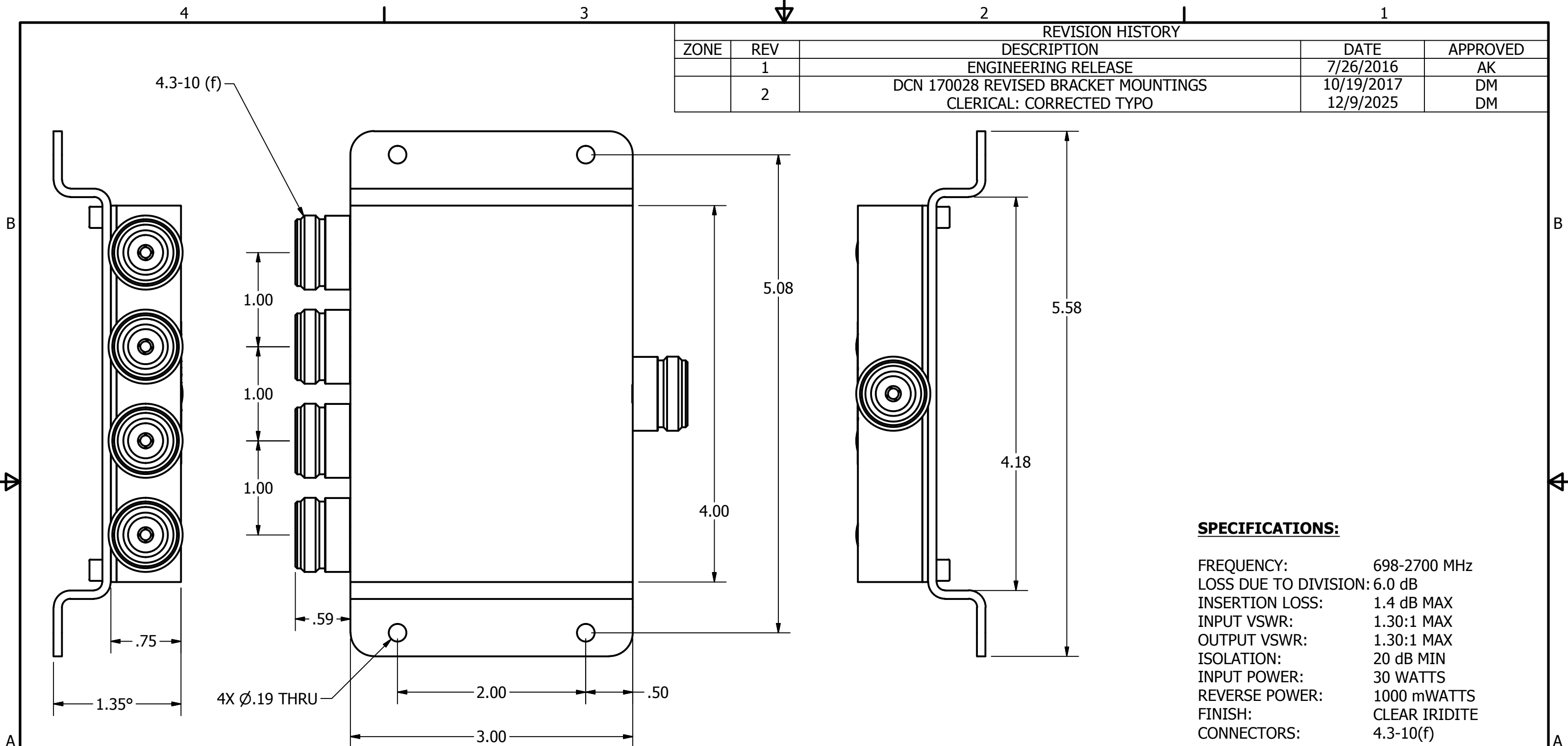



REVISION HISTORY				
ZONE	REV	DESCRIPTION	DATE	APPROVED
	1	ENGINEERING RELEASE	7/26/2016	AK
	2	DCN 170028 REVISED BRACKET MOUNTINGS CLERICAL: CORRECTED TYPO	10/19/2017 12/9/2025	DM DM



SPECIFICATIONS:

FREQUENCY: 698-2700 MHz
LOSS DUE TO DIVISION: 6.0 dB
INSERTION LOSS: 1.4 dB MAX
INPUT VSWR: 1.30:1 MAX
OUTPUT VSWR: 1.30:1 MAX
ISOLATION: 20 dB MIN
INPUT POWER: 30 WATTS
REVERSE POWER: 1000 mWATTS
FINISH: CLEAR IRIDITE
CONNECTORS: 4.3-10(f)

HOLE TOLERANCE: X.XXX ±.003
LENGTH TOLERANCE: X.XXX ±.010
LENGTH TOLERANCE: X.XX ±.030
PROPERTY OF R&D MICROWAVES LLC

DRAWN AK	7/27/2016	 R&D Microwaves LLC, USA
CHECKED TB	8/2/2016	
QA		TITLE
MFG		D4-A05D41 OUTLINE
APPROVED		SIZE B
		DWG NO D4-A05D43-OL-rev2
		SCALE
		REV 2
		SHEET 1 OF 1