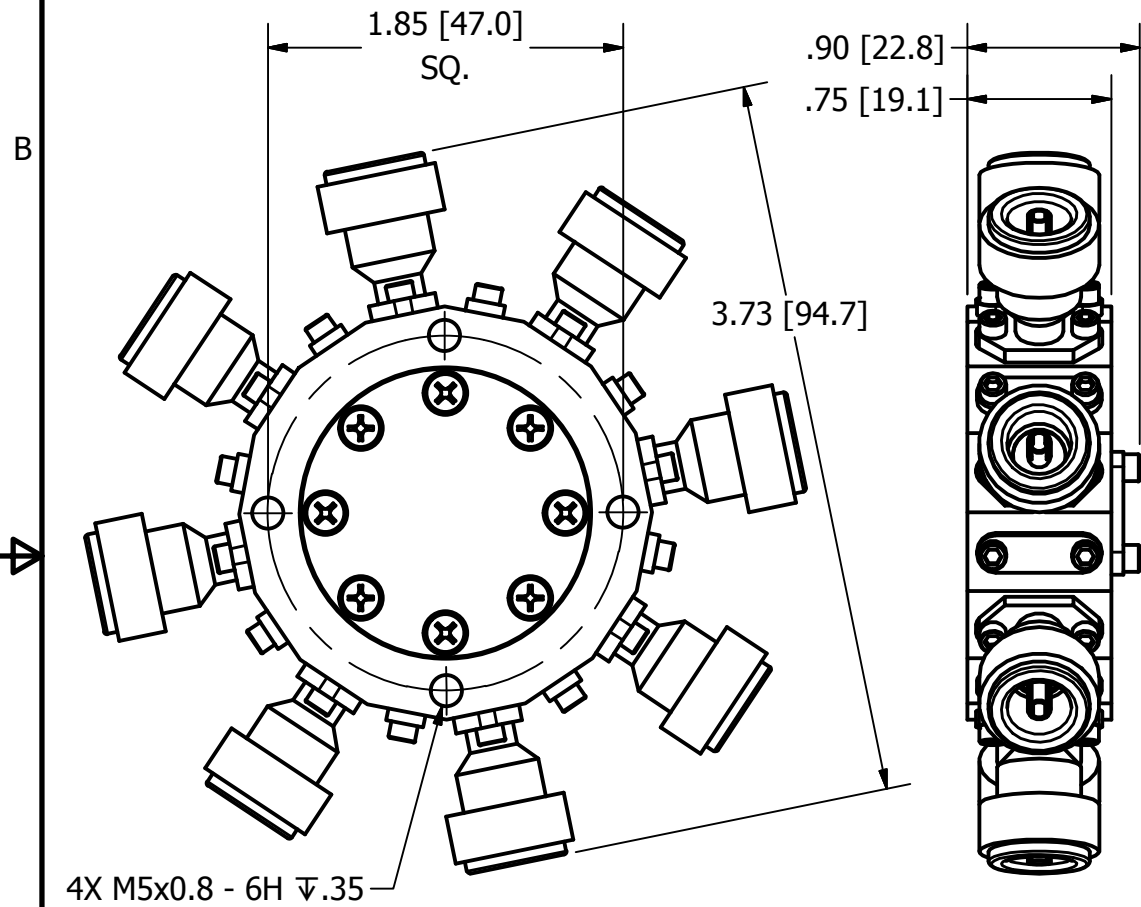


REVISION HISTORY				
ZONE	REV	DESCRIPTION	DATE	APPROVED
	6	UPDATED PERFORMANCE SPECIFICATIONS TO 6.5GHz	9/6/2023	TB
	7	ADDED DIMENSIONS	5/27/2026	DM



SPECIFICATIONS:

	FREQUENCY: DC-1.5GHz	1.5-4.0GHz	4.0-6.5GHz
INSERTION LOSS*:	16.5-20dB	16.5-21dB	14.26dB
MAX VSWR:	1.2:1	16:1	2.3:1
MAX AMPLITUDE BALANCE:	3.5dB	3.5dB	8.0dB
MAX PHASE BALANCE:	N/A		
NUMBER OF PORTS:	8, TYPE N FEMALE ALL PORTS		
MAX POWER			
AS COMBINER:	1/8W AVG.		
AS DIVIDER:	1/8W AVG.		
IMPEDANCE:	50Ω		
WEIGHT:	0.5lbs		
ENVIRONMENT:	INDOOR		

*INSERTION LOSS = ISOLATION

4X M5x0.8 - 6H ∇ .35

UNLESS OTHERWISE SPECIFIED:
 ALL UNITS ARE IN inches [mm]
 TOLERANCE:
 X.XX ±0.01
 X.XXX ±0.005

DRAWN mclaughlind	5/27/2026
ALL DIMENSIONS DERIVED FROM THE ELECTRONIC FILE ON THE SAME PLANE SHOULD BE WITHIN ±0.005 FROM TRUE POSITION, UNLESS OTHERWISE NOTED	
PROPERTY OF R&D MICROWAVES LLC	



TITLE D8-A08: N FEMALE RESISTIVE POWER DIVIDER, DC-6.5GHz			
SIZE A	DWG NO D8-A08-OLrev7	REV 7	
SCALE 1:1	SHEET 1 OF 1		